

Product data sheet

Specifications



2-hand control station - 2 pushbuttons + 1 lock out pushbutton

XY2SB76

❗ Discontinued on: 01 October 2021

❗ Discontinued

Main

Range of product	Preventa XY2
Product or component type	Two-hand control station
Component name	XY2S
Control station composition	2 push-buttons + 1 lock out push-button
Control button type	1 push-button, mushroom, yellow, 1 NC + 1 NO break before make 2 push-buttons, 1 NC + 1 NO break before make
Connections - terminals	Pre-wired terminal block

Complementary

Housing colour	Orange RAL 2008
Surface finish	Painted
Cable entry	1 plain hole for M25 2 plain holes for M20
Mechanical durability	1000000 cycles
Contact code designation	A600 AC-15, Ue = 240 V, Ie = 3 A Q600 DC-13, Ue = 250 V, Ie = 0.27 A conforming to EN/IEC 60947-5-1 appendix A
[Ui] rated insulation voltage	600 V (pollution degree 3) conforming to EN/IEC 60947-1 600 V conforming to UL 508 600 V conforming to CSA C22.2 No 14
[Uimp] rated impulse withstand voltage	6 kV conforming to EN/IEC 60947-1
Positive opening	With conforming to EN/IEC 60947-5-1 appendix K
Short-circuit protection	10 A gG cartridge fuse protection conforming to EN/IEC 60269
Electrical durability	1000000 cycles utilisation category AC-15, operating rate <60 cyc/mn at 120 V, 3 A, load factor: 0.5 conforming to EN/IEC 60947-5-1 appendix C 1000000 cycles utilisation category AC-15, operating rate <60 cyc/mn at 230 V, 2 A, load factor: 0.5 conforming to EN/IEC 60947-5-1 appendix C 1000000 cycles utilisation category AC-15, operating rate <60 cyc/mn at 24 V, 4 A, load factor: 0.5 conforming to EN/IEC 60947-5-1 appendix C 1000000 cycles utilisation category DC-13, operating rate <60 cyc/mn at 110 V, 0.2 A, load factor: 0.5 conforming to EN/IEC 60947-5-1 appendix C 1000000 cycles utilisation category DC-13, operating rate <60 cyc/mn at 24 V, 0.5 A, load factor: 0.5 conforming to EN/IEC 60947-5-1 appendix C
Electrical reliability	Failure rate < 0.00000001 at 17 V, 0.005 A conforming to EN/IEC 60947-5-4 Failure rate < 0.000001 at 5 V, 0.001 A conforming to EN/IEC 60947-5-4
Product weight	4 kg

Environment

Standards	EN/IEC 60947-5-1 ISO 13851 EN 574
Protective treatment	TC
Ambient air temperature for operation	-25...70 °C
Ambient air temperature for storage	-40...70 °C
Vibration resistance	5 gn (f= 2...500 Hz) conforming to EN/IEC 60068-2-6
Shock resistance	10 gn for 11 ms conforming to EN/IEC 60068-2-27
Electrical shock protection class	Class I conforming to EN/IEC 61140
IP degree of protection	IP65 conforming to EN/IEC 60529

Packing Units

Unit Type of Package 1	PCE
Number of Units in Package 1	1
Package 1 Height	19.3 cm
Package 1 Width	21.08 cm
Package 1 Length	46.99 cm
Package 1 Weight	5.71 kg

Offer Sustainability

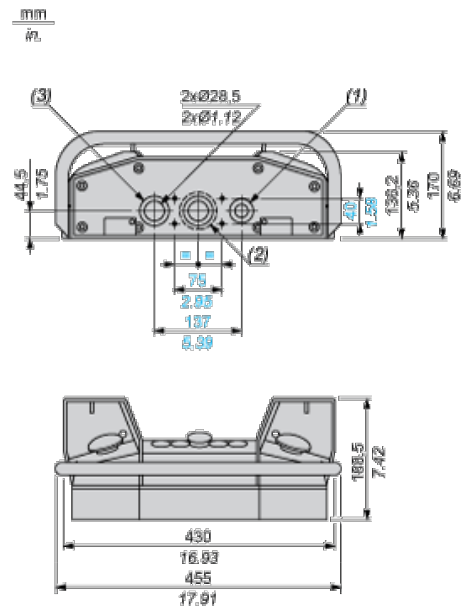
Sustainable offer status	Green Premium product
REACH Regulation	REACH Declaration
EU RoHS Directive	Pro-active compliance (Product out of EU RoHS legal scope) EU RoHS Declaration
Mercury free	Yes
China RoHS Regulation	China RoHS declaration
RoHS exemption information	Yes
Environmental Disclosure	Product Environmental Profile
WEEE	The product must be disposed on European Union markets following specific waste collection and never end up in rubbish bins
California proposition 65	WARNING: This product can expose you to chemicals including: Nickel compounds, which is known to the State of California to cause cancer, and Di-isodecyl phthalate (DIDP), which is known to the State of California to cause birth defects or other reproductive harm. For more information go to www.P65Warnings.ca.gov

Contractual warranty

Warranty	18 months
----------	-----------

Control Station

Dimensions



- (1) 2 plain holes for n° 13 (PG13.5) or ISO M20 cable gland.
- (2) Ø 56 mm/Ø 2.20 in. knock-out specifically for mounting on pedestal.
- (3) 1 plain hole for n° 21 (PG21) cable gland. For ISO M25, use adaptor DE9RA2125 and fixing nut DE9EC21.

Recommended replacement(s)