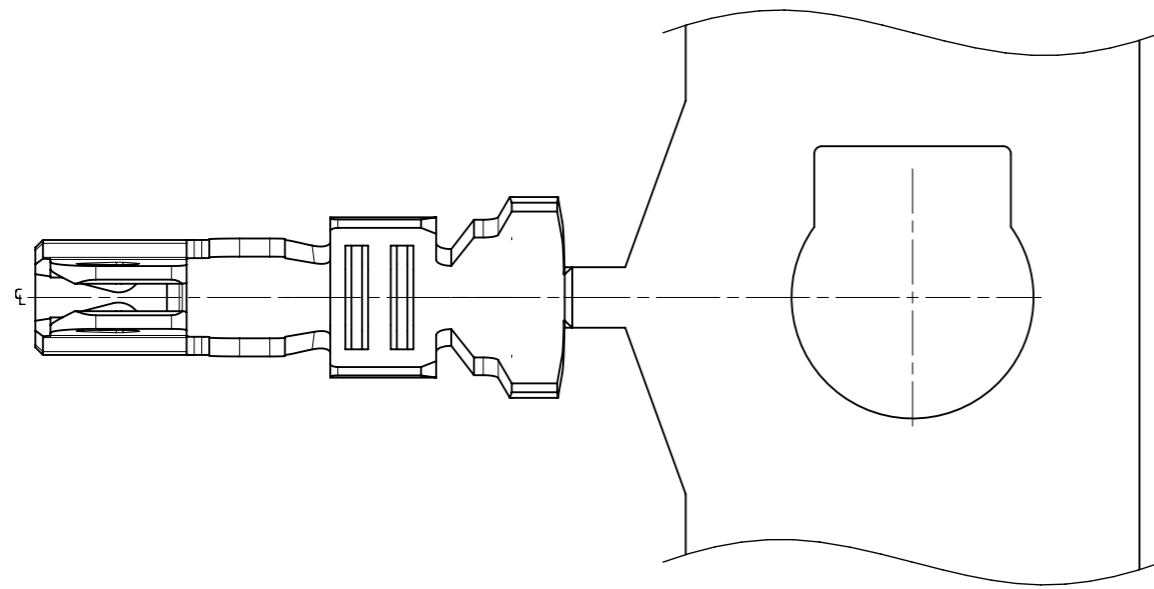
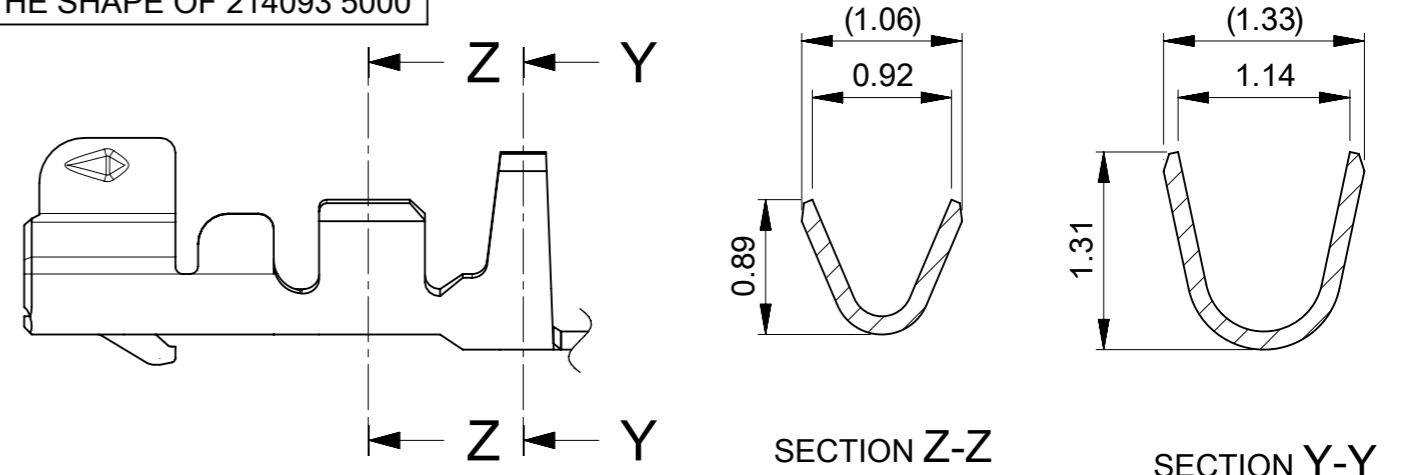


NOTES:

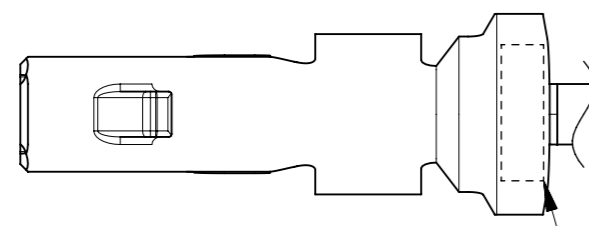
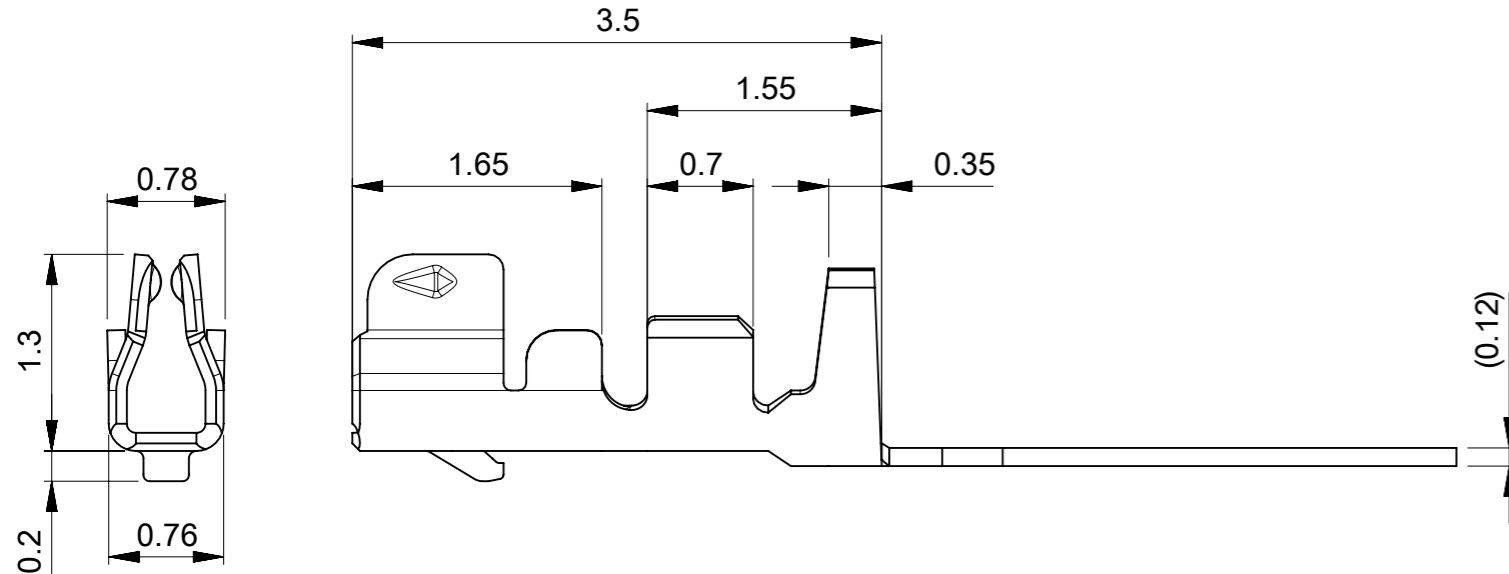
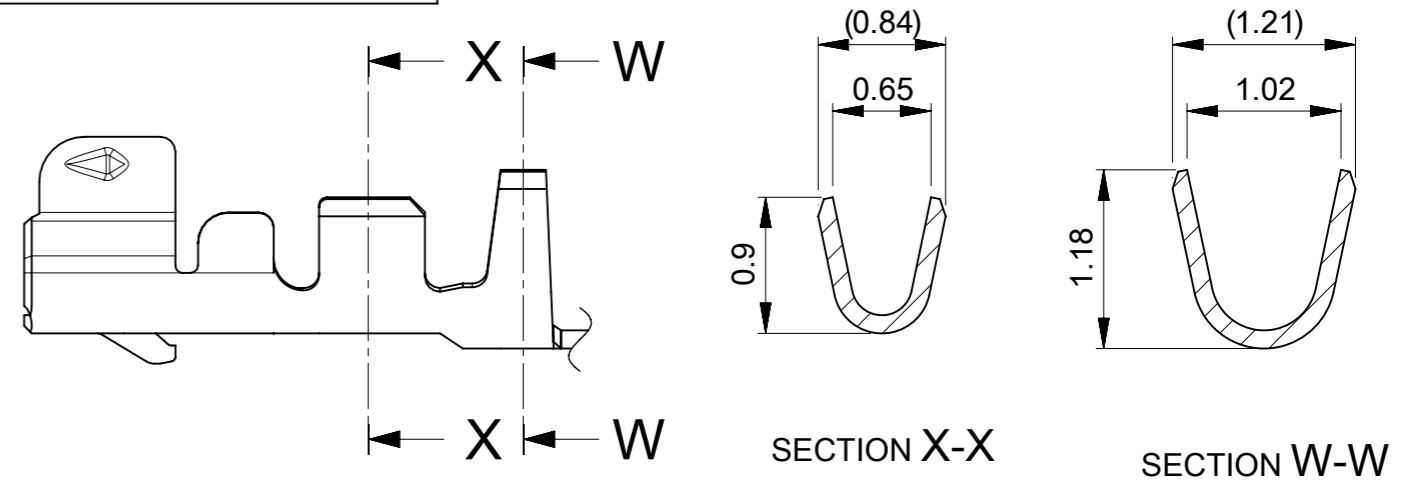
- △1 材料及び仕上げ(めっき仕様) : TABLE 1 参照
MATERIAL AND PLATING:SEE TABLE 1
- △2 適合ハウジング,嵌合相手,関連ドキュメントについてはSHEET 2を御参照下さい。
PLEASE REFER TO SHEET 2 FOR APPLICABLE HOUSING, MATING PARTNER AND RELATED DOCUMENTS.



214093 5000 形状
THE SHAPE OF 214093 5000



214093 5100 形状
THE SHAPE OF 214093 5100



金型番号
DIE NUMBER

△1 TABLE 1

部品 PART	材質 MATERIAL
ターミナル TERMINAL	母材 MATERIAL りん青銅 PHOSPHOR BRONZE
	めっき PLATING 錫めっき : 1.0 MICROMETER MINIMUM PRE-TIN PLATING (REFLOW TREATMENT MATTE TIN)

Φ0.54-0.7mm	#30-32	リール REEL	連鎖状 CHAIN	214093 5100
Φ0.7-0.78mm	#28-30			214093 5000
絶縁被覆外径範囲 INS. RANGE	適用電線範囲 WIRE RANGE	梱包形態 PACKAGING	端子形状 FORM	発注番号 ORDER No.

THIS DRAWING CONTAINS INFORMATION THAT IS PROPRIETARY TO MOLEX ELECTRONIC TECHNOLOGIES, LLC AND SHOULD NOT BE USED WITHOUT WRITTEN PERMISSION

SCALE: NTS

GENERAL TOLERANCES (UNLESS SPECIFIED)

ANGULAR TOL ± 3.0°

4 PLACES ± 0.2

3 PLACES ± 0.2

2 PLACES ± 0.2

1 PLACE ± 0.2

0 PLACES ± 0.2

DRAFT WHERE APPLICABLE MUST REMAIN WITHIN DIMENSIONS

THIRD ANGLE PROJECTION

DRAWING: A3-SIZE

SERIES: 214093

MATERIAL NUMBER: SEE SHEET1

CUSTOMER: GENERAL

SHEET NUMBER: 1 OF 2

EC NO: 688260

DRWN: AISHIKAWA 2021/07/16

CHK'D: AIDA 2021/12/13

APPR: SAKIYAMA 2021/12/13

INITIAL REVISION:

DRWN: AISHIKAWA 2021/07/16

APPR: SAKIYAMA 2021/12/13

DOCUMENT NUMBER: 2140930000-SD

DOC TYPE: PSD

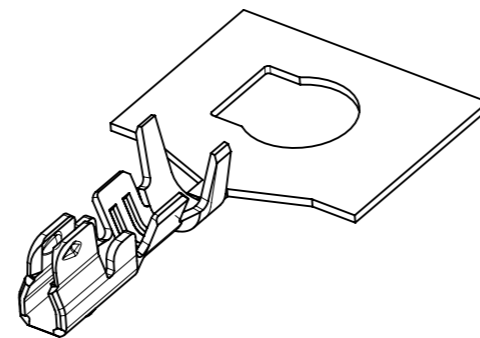
DOC PART: 000

REVISION: A

molex

ONEBLADE1.0 WTB
RECEPTACLE CRIMP TERMINAL
TIN PLATING

PRODUCT CUSTOMER DRAWING


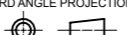


△ 適用製品及び各種仕様書

APPLICABLE PRODUCTS AND VARIOUS SPECIFICATIONS

梱包仕様書 PACKAGING SPECIFICATION		2140939200-SPK 200	
列数 NUMBER OF ROWS		SINGLE	
適合ハウジング シリーズ番号 APPLY HOUSING SERIES NUMBER.		214092	
適合嵌合相手 MATE WITH	嵌合タイプ MATING TYPE	VERTICAL	RIGHT ANGLE
	シリーズ番号 SERIES NUMBER	214094	214097
製品仕様書 PRODUCT SPECIFICATION		2140920000-PS 000	
取扱説明書 APPLICATION SPECIFICATION		2166940000-AS 000	

製品嵌合図は各"適合嵌合相手"図面参照のこと
MATING VIEW : REFER TO EACH "MATE WITH" PART DRAWING.

THIS DRAWING CONTAINS INFORMATION THAT IS PROPRIETARY TO MOLEX ELECTRONIC TECHNOLOGIES, LLC AND SHOULD NOT BE USED WITHOUT WRITTEN PERMISSION										
DIMENSION UNITS	SCALE	CURRENT REV DESC:								
mm	NTS									
GENERAL TOLERANCES (UNLESS SPECIFIED)		EC NO: 688260 DRWN: AISHIKAWA 2021/07/16 CHK'D: AIDA 2021/12/13 APPR: SAKIYAMA 2021/12/13 INITIAL REVISION: DRWN: AISHIKAWA 2021/07/16 APPR: SAKIYAMA 2021/12/13				ONEBLADE1.0 WTB RECEPTACLE CRIMP TERMINAL TIN PLATING				
ANGULAR TOL	± 3.0 °					PRODUCT CUSTOMER DRAWING				
4 PLACES	± 0.2					DOCUMENT NUMBER		DOC TYPE	DOC PART	REVISION
3 PLACES	± 0.2					2140930000-SD		PSD	000	A
2 PLACES	± 0.2					MATERIAL NUMBER		CUSTOMER		SHEET NUMBER
1 PLACE	± 0.2					SEE SHEET 1		GENERAL		2 OF 2
0 PLACES	± 0.2									
DRAFT WHERE APPLICABLE MUST REMAIN WITHIN DIMENSIONS		THIRD ANGLE PROJECTION	DRAWING	SERIES						
			A3-SIZE	214093						

DOCUMENT STATUS	P1	RELEASE DATE	2021/12/13	10:05:05
-----------------	----	--------------	------------	----------