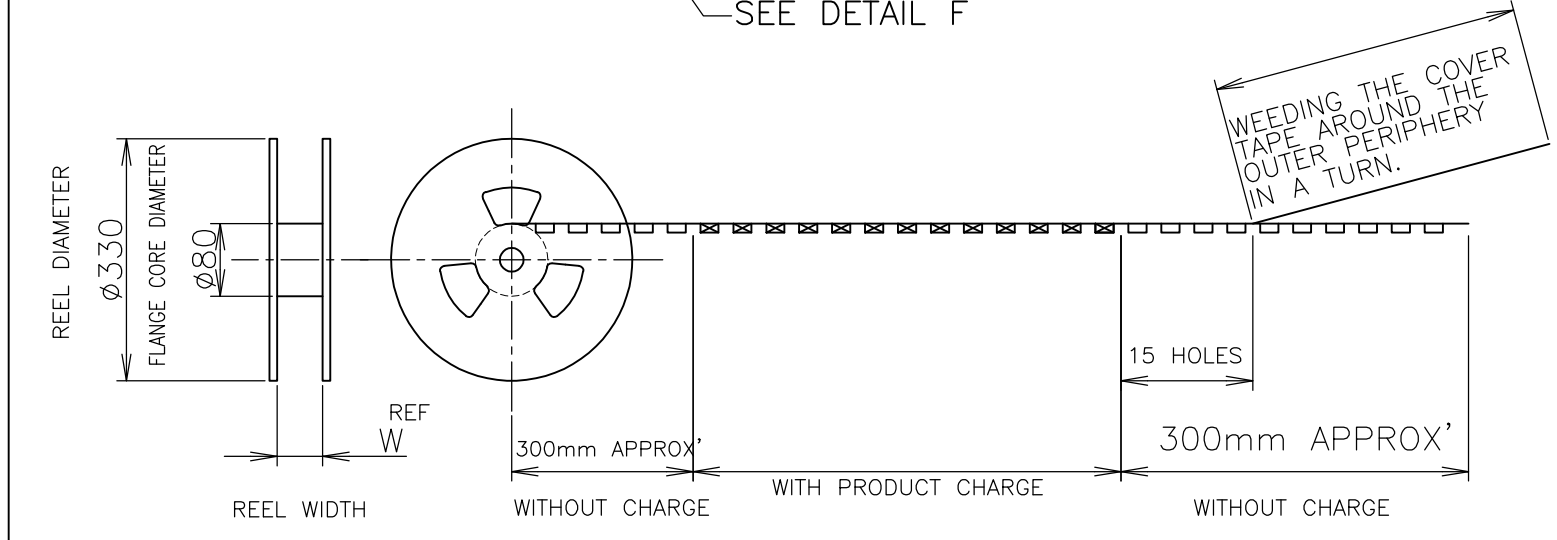
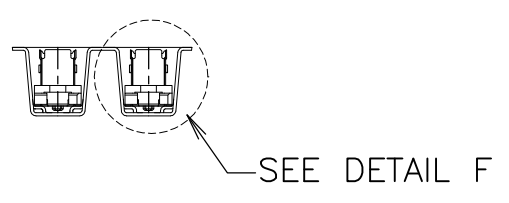
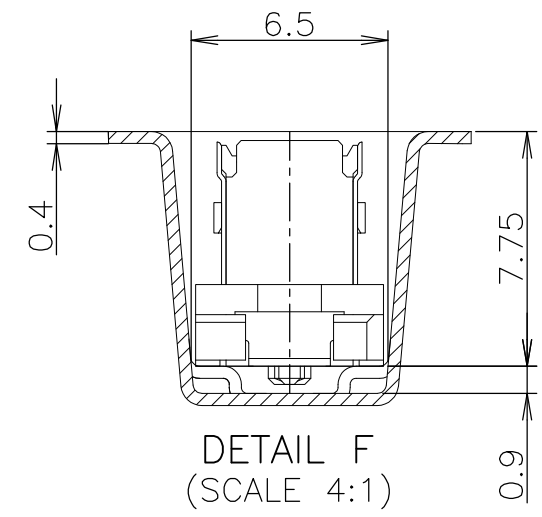
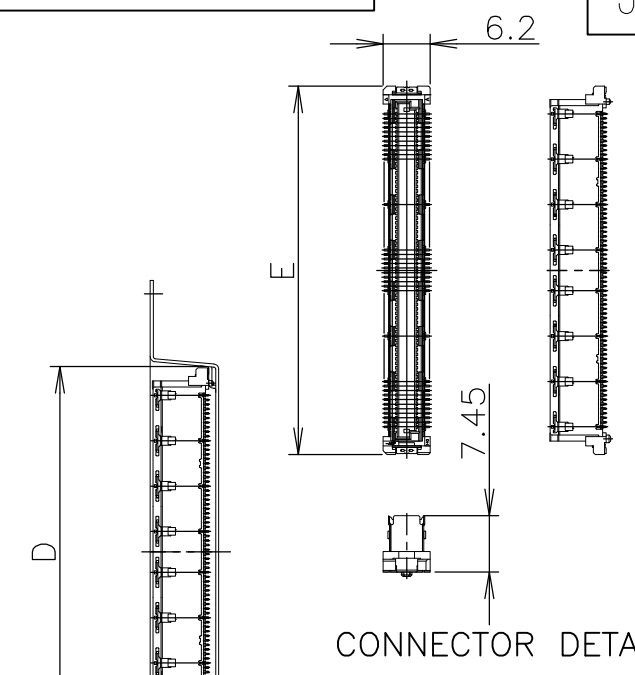
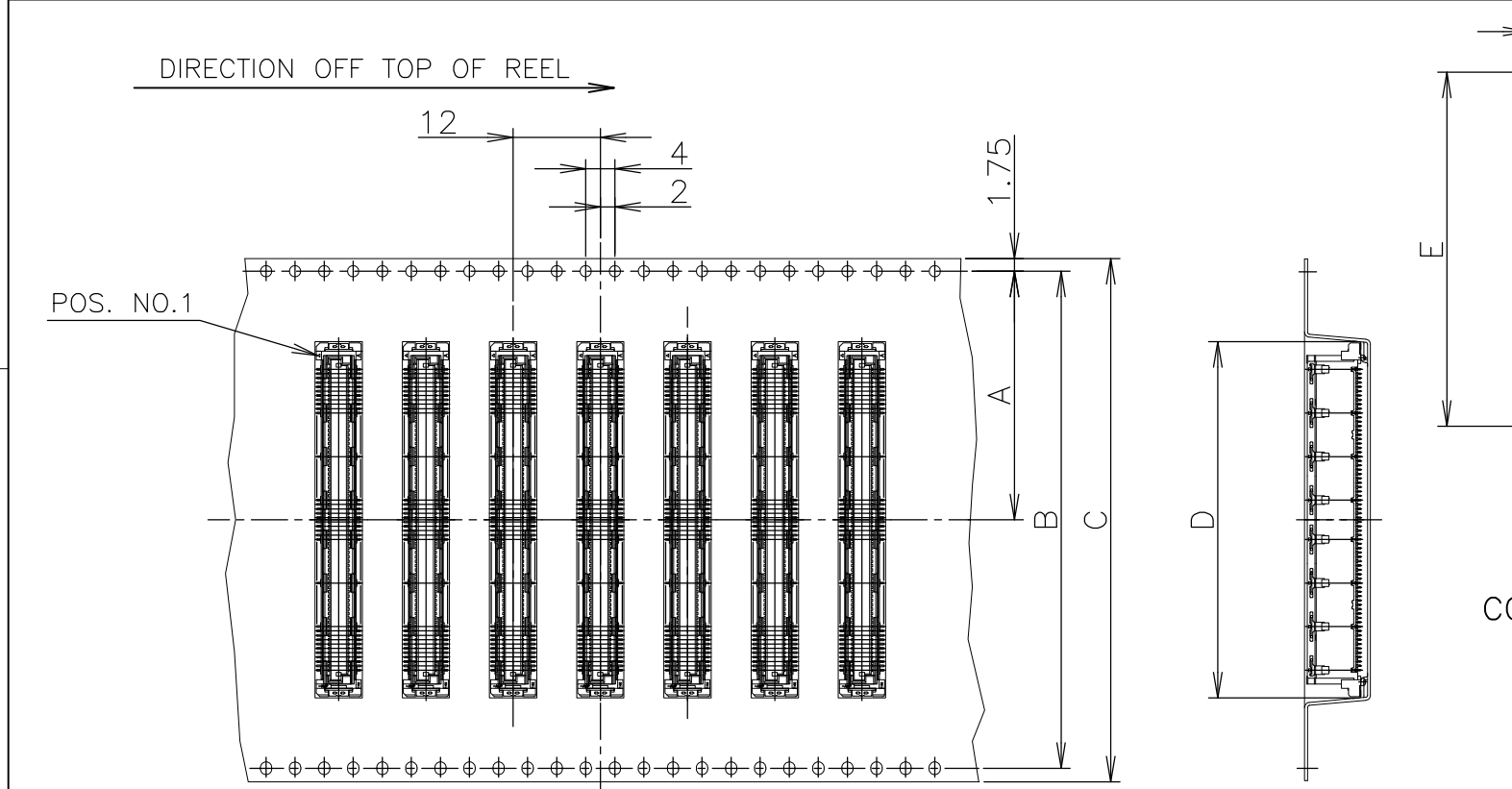


THIS DRAWING IS UNPUBLISHED. RELEASED FOR PUBLICATION JUN , 1996.
 © COPYRIGHT 1996 BY TYCO ELECTRONICS CORPORATION. ALL RIGHTS RESERVED.

LOC	DIST	REVISIONS					
J		P	LTR	DESCRIPTION	DATE	DWN	APVD
		C		REVISED ECR-07-031084	01FEB08	T.T	T.F



SEALANT	TOOLING STATUS	QTY.	W	E	D	C	B	A	POS.	PART NO.	
			AVAILABLE	NOT AVAILABLE	AVAILABLE	NOT AVAILABLE	AVAILABLE	NOT AVAILABLE			AVAILABLE
SEALANT	AVAILABLE	600	77.5	54.7	55	72	68.4	34.2	160	6-353188-1	
	AVAILABLE	↑	77.5	48.7	49	72	68.4	34.2	140	6-↑-0	
	NOT AVAILABLE		61.5	42.7	43	56	52.4	26.2	120	5-↑-9	
	↑		61.5	36.7	37	56	52.4	26.2	100	5-↑-8	
	↑		61.5	33.7	34	56	52.4	26.2	90	5-↑-7	
	↑		49.5	30.7	31	44	40.4	20.2	80	5-↑-6	
	↑		49.5	27.7	28	44	40.4	20.2	70	5-↑-5	
	↑		49.5	24.7	25	44	40.4	20.2	60	5-↑-4	
	↑		37.5	21.7	22	32	28.4	14.2	50	5-↑-3	
	↑		37.5	18.7	19	32	28.4	14.2	40	5-↑-2	
	NOT AVAILABLE	600	29.5	15.7	16	24	↑	11.5	30	5-353188-1	
	NON SEALANT	AVAILABLE	600	77.5	54.7	55	72	68.4	34.2	160	1-353188-1
		AVAILABLE	↑	77.5	48.7	49	72	68.4	34.2	140	1-↑-0
		NOT AVAILABLE		61.5	42.7	43	56	52.4	26.2	120	↑-9
		↑		61.5	36.7	37	56	52.4	26.2	100	↑-8
↑			61.5	33.7	34	56	52.4	26.2	90	↑-7	
↑			49.5	30.7	31	44	40.4	20.2	80	↑-6	
↑			49.5	27.7	28	44	40.4	20.2	70	↑-5	
↑			49.5	24.7	25	44	40.4	20.2	60	↑-4	
↑			37.5	21.7	22	32	28.4	14.2	50	↑-3	
↑			37.5	18.7	19	32	28.4	14.2	40	↑-2	
NOT AVAILABLE		600	29.5	15.7	16	24	↑	11.5	30	353188-1	

4 THIS PRODUCT WAS COATED BY FLUX-PENETRATION -INHIDTING AGENT.

THIS DRAWING IS A CONTROLLED DOCUMENT.

DWN	T.KUSUHARA	06JUN96
CHK	I.ENOMOTO	06JUN96
APVD	Y.YOSHIMURA	06JUN96

PRODUCT SPEC 108-5468
 APPLICATION SPEC 取付適用規格

MATERIAL 材料 FINISH 仕上

WEIGHT

CUSTOMER DRAWING

SCALE 1:1 SHEET 1 OF 3 REV C

RESTRICTED TO

SIZE A3 CAGE CODE 00779 DRAWING NO. G-353188

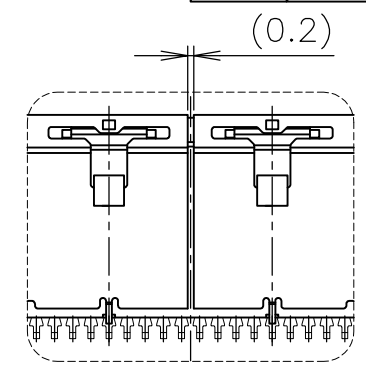
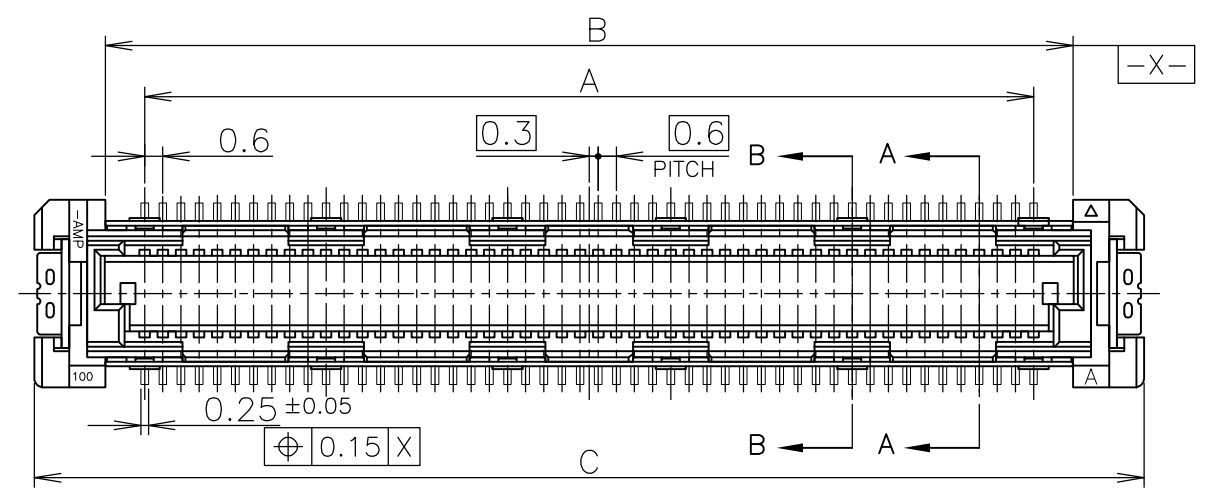
Tyco Electronics Corporation Kawasaki, Japan

OBsolete

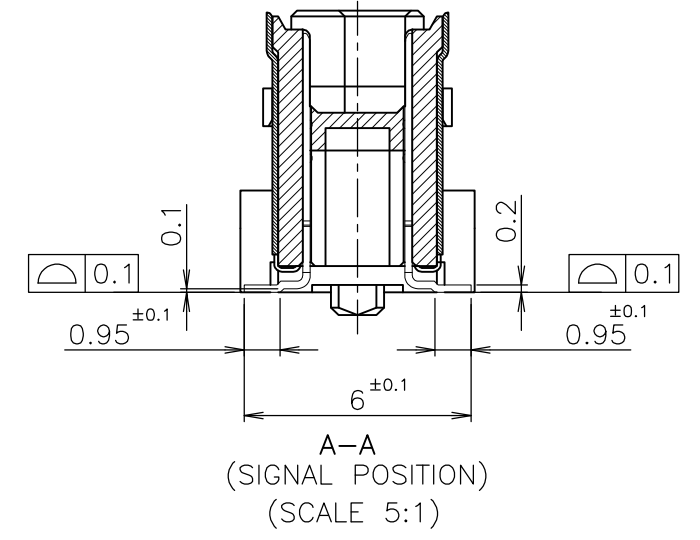
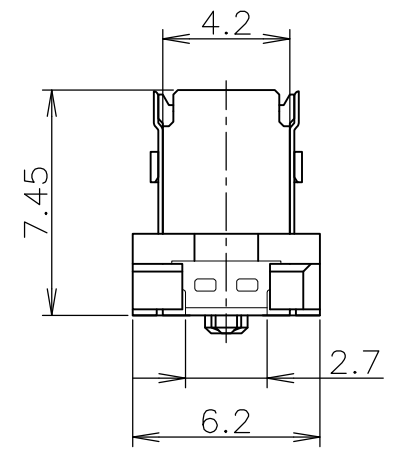
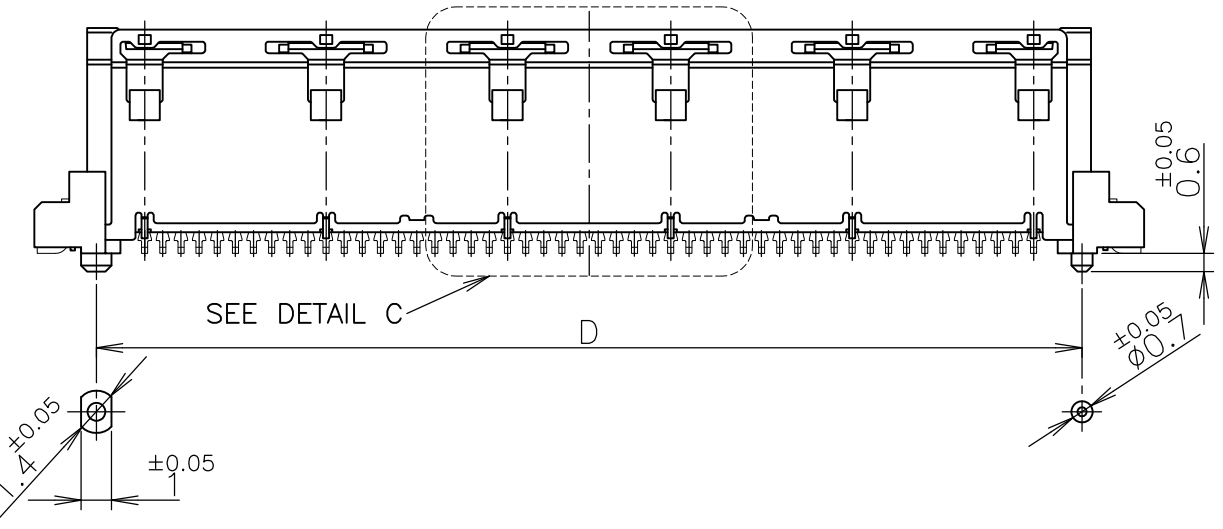
NOT the LATEST REVISION

THIS DRAWING IS UNPUBLISHED. RELEASED FOR PUBLICATION JUN ,1996.
 © COPYRIGHT 1996 BY TYCO ELECTRONICS CORPORATION. ALL RIGHTS RESERVED.

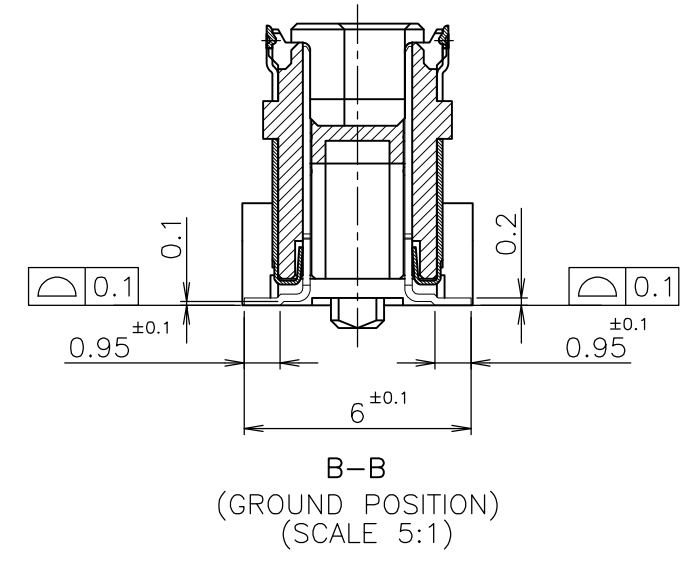
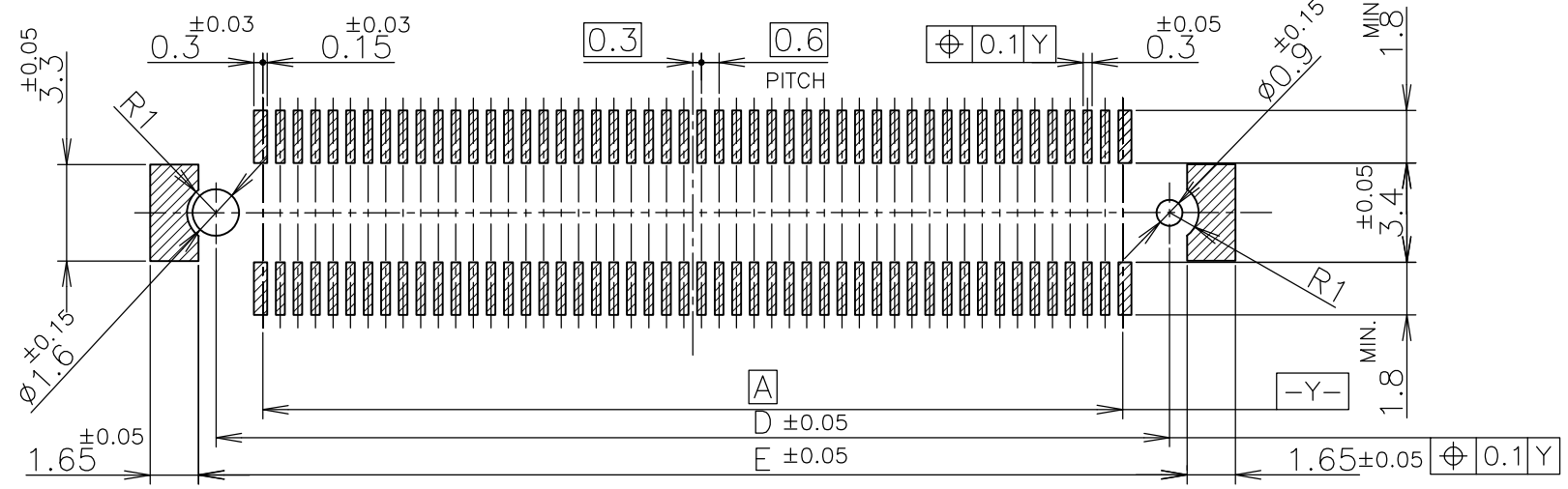
LOC	DIST	REVISIONS		
J		変更	DATE	DWN
P	LTR	DESCRIPTION		APVD
		SEE SHEET 1	-	-



DETAIL C
180P~240P ONLY



A-A
(SIGNAL POSITION)
(SCALE 5:1)



B-B
(GROUND POSITION)
(SCALE 5:1)

AVAILABLE	51.8	50.6	54.7	50	47.4	160
AVAILABLE	45.8	44.6	48.7	44	41.4	140
NOT AVAILABLE	39.8	38.6	42.7	38	35.4	120
	33.8	32.6	36.7	32	29.4	100
	30.8	29.6	33.7	29	26.4	90
	27.8	26.6	30.7	26	23.4	80
	24.8	23.6	27.7	23	20.4	70
	21.8	20.6	24.7	20	17.4	60
	19.8	17.6	21.7	17	14.4	50
	15.8	14.6	18.7	14	11.4	40
NOT AVAILABLE	12.8	11.6	15.7	11	8.4	30
TOOLING STATUS	E	D	C	B	A	POS

REFERENCE P.C.BOARD LAYOUT

GENERAL TOLERANCE
一般公差

10 ≥ ±0.2
30 ≥ >10: ±0.25
100 ≥ >30: ±0.3
ANGLES: ±3°

THIS DRAWING IS A CONTROLLED DOCUMENT.

DIMENSIONS: 単位: 耗 mm

TOLERANCES UNLESS OTHERWISE SPECIFIED: 一般公差

0 PLC ± -
1 PLC ± -
2 PLC ± -
3 PLC ± -
4 PLC ± -
ANGLES ± -

FINISH 仕上

MATERIAL 材料

DWN
CHK
APVD
PRODUCT SPEC 製品規格
APPLICATION SPEC 取付適用規格
WEIGHT

Tyco Electronics Tyco Electronics Corporation
Kawasaki, Japan

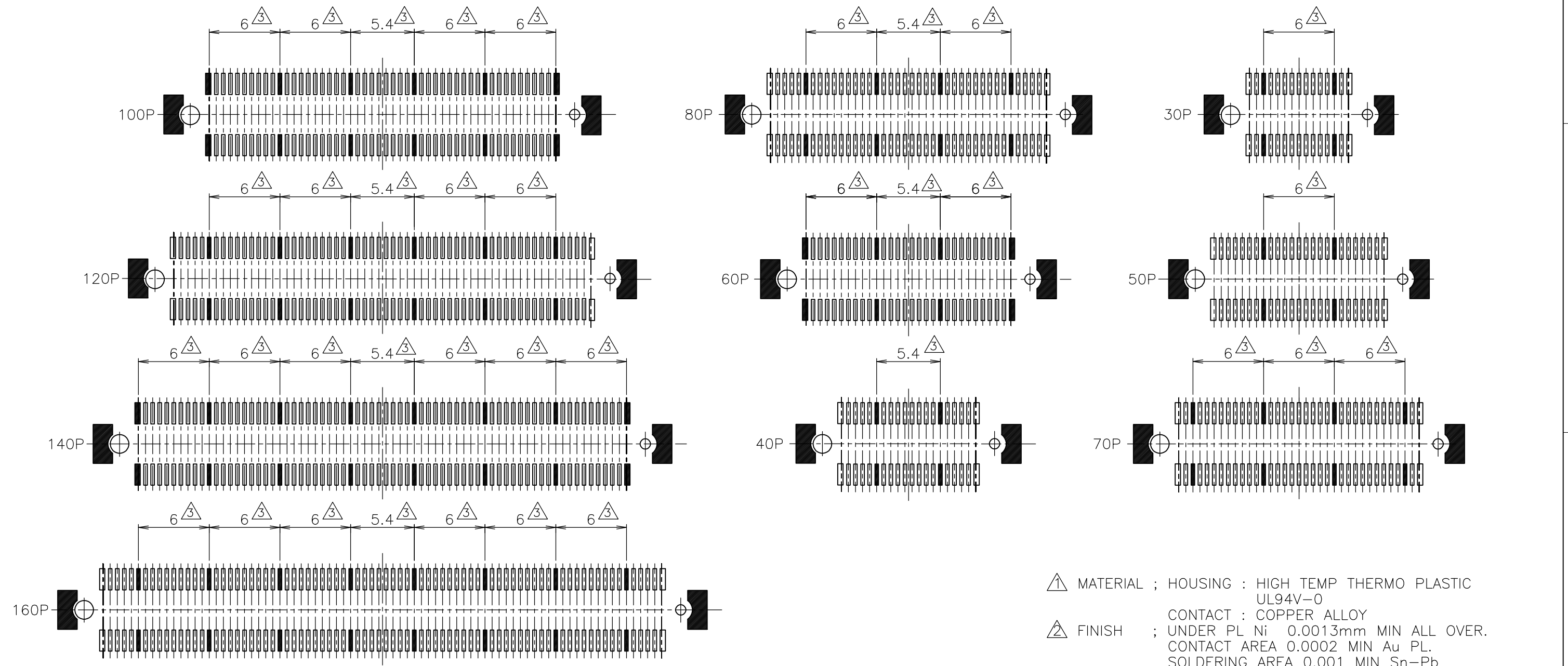
NAME 名称
EMBOSS ASSY
FH 0.6BTB CONNECTOR
PLUG 8H WITH G-PLATE

SIZE A3 CAGE CODE 00779 DRAWING NO. G-353188 RESTRICTED TO

CUSTOMER DRAWING SCALE 尺度 4:1 SHEET 2 OF 3 REV C

THIS DRAWING IS UNPUBLISHED. RELEASED FOR PUBLICATION JUN , 1996.
 © COPYRIGHT 1996 BY TYCO ELECTRONICS CORPORATION. ALL RIGHTS RESERVED.

LOC	DIST	REVISIONS 変更					
J		P	LTR	DESCRIPTION	DATE	DWN	APVD
			-	SEE SHEET 1	-	-	-



- ① MATERIAL ; HOUSING : HIGH TEMP THERMO PLASTIC UL94V-0
- ② FINISH ; CONTACT : COPPER ALLOY
- ③ ■ THIS POSITION IS GROUND CIRCUIT.

GENERAL TOLERANCE
 一般公差
 10 ≥ : ±0.2
 30 ≥ : >10: ±0.25
 100 ≥ : >30: ±0.3
 ANGLES: ±3°

THIS DRAWING IS A CONTROLLED DOCUMENT.		DWN		Tyco Electronics Corporation															
DIMENSIONS: 単位: 耗 mm		TOLERANCES UNLESS OTHERWISE SPECIFIED: 一般公差		Kawasaki, Japan															
<table border="1"> <tr><td>0 PLC</td><td>± -</td></tr> <tr><td>1 PLC</td><td>± -</td></tr> <tr><td>2 PLC</td><td>± -</td></tr> <tr><td>3 PLC</td><td>± -</td></tr> <tr><td>4 PLC</td><td>± -</td></tr> <tr><td>ANGLES</td><td>± -</td></tr> </table>		0 PLC	± -	1 PLC	± -	2 PLC	± -	3 PLC	± -	4 PLC	± -	ANGLES	± -	<table border="1"> <tr><td>FINISH</td><td>仕上</td></tr> </table>		FINISH	仕上	NAME 名称	
0 PLC	± -																		
1 PLC	± -																		
2 PLC	± -																		
3 PLC	± -																		
4 PLC	± -																		
ANGLES	± -																		
FINISH	仕上																		
MATERIAL 材料		PRODUCT SPEC 製品規格		EMBOSS ASSY															
①		APPLICATION SPEC 取付適用規格		FH 0.6BTB CONNECTOR															
②		WEIGHT		PLUG 8H WITH G-PLATE															
		CUSTOMER DRAWING		RESTRICTED TO															
		SCALE 尺度 3:1		DRAWING NO 番号															
		SHEET 3 OF 3		REV C															
		SIZE A3		CAGE CODE 00779															
				DRAWING NO 番号 G-353188															