



### SPECIFICATIONS

| Model         | Stroke mm | Max Absorption Energy J(kgf·m) | Max Equivalent Mass kg (kgf) |
|---------------|-----------|--------------------------------|------------------------------|
| FA-1005PMB1-S | 5         | 0.68(0.07)                     | 5(5)                         |

| Max Drag N (kgf) | Absorption Energy per min. J/min(kgf·m/min) | Extension Force N(kgf) | Mass g |
|------------------|---|------------------------|--------|
| 735 (75)         | 41.1(4.2)                                   | 5.88(0.6) or lower     | 13.2   |

### COMMON SPECIFICATIONS

|                       |           |       |
|-----------------------|-----------|-------|
| Range of Impact Rate  | m/s       | 0.3~1 |
| Maximum Cycle Rate    | cycle/min | 60    |
| Operating Temperature | C°        | -5~70 |

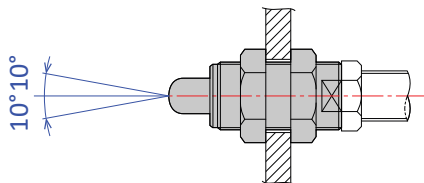
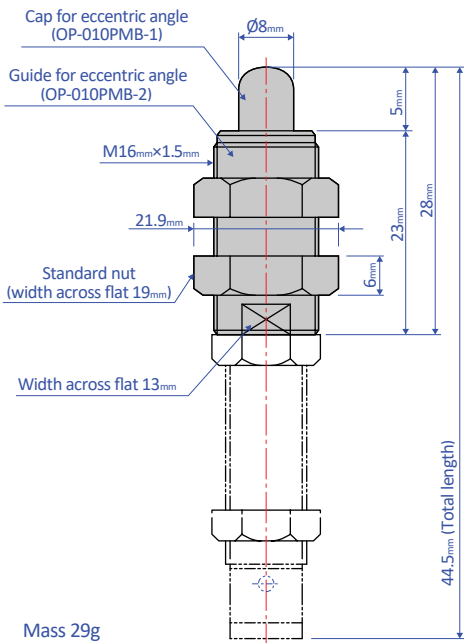
### PRECAUTIONS FOR USE

- Do not use this product without carefully reading the attached owner's manual.
- Ensure that an external stopper (Stopper nut OP-020SB) is also used.
- Do not turn the oil inlet screw located at the bottom of the main unit.
- Ensure that sufficient mounting strength is secured for this product. (As a guideline, it should be 2 to 3 times the maximum drag listed in the catalogue.)
- Do not use this product in a vacuum or a location where it may come in contact with oil.
- Ensure that an eccentric load is not applied to the soft absorber. (Allowable eccentric angle: within  $\pm 2.5^\circ$ )

## OPTIONAL PARTS

### Eccentric angle adaptor OP-010PMB

- Screw the eccentric angle adaptor into the main unit until the cap for the eccentric angle and the piston rod form a tight connection. While maintaining this position, fasten the main unit's nut until it is secured.
- Use the eccentric angle adaptor when the eccentric angle is  $2.5^\circ$  or larger.
- The main unit can also be used as a stopper.
- Use it with a capless soft absorber.
- The maximum operating eccentric angle with an eccentric angle adaptor is  $\pm 10^\circ$ .
- The caps and the guides for inclined use are not unbundled.

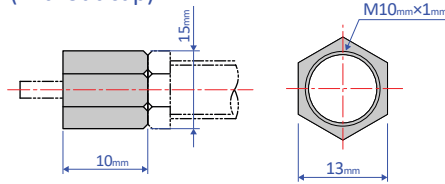


Note: Material of cap for eccentric angle: POM

### Stopper nut OP-020PB

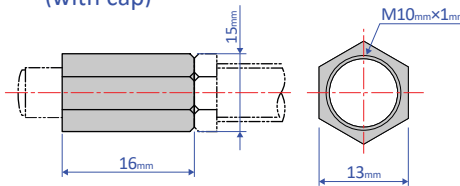
- Adjust so that it stops 1 mm before the stroke end, and fasten with the main unit's nut until secured.

#### OP-020PB-S (without cap)



Mass 6g

#### OP-020PB-C (with cap)



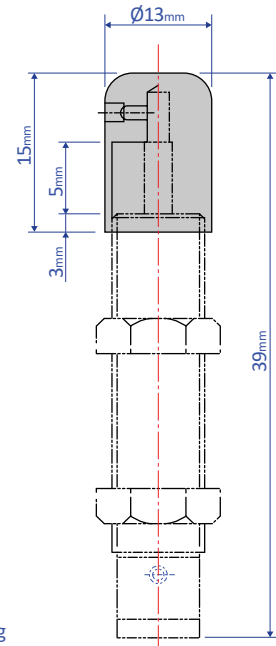
Mass 9g

Note: When attaching, make sure that the side without a bearing chamfer is the impact surface.

Standard nuts are sold separately as well - M10 Nut

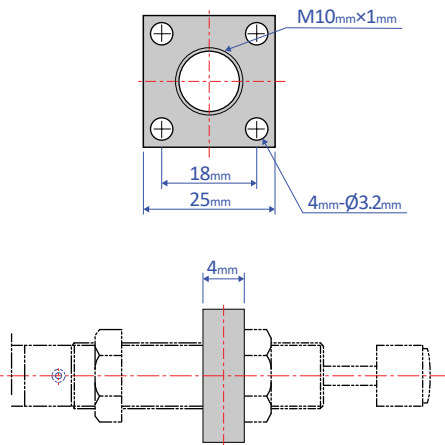
### Liquid-proof cap FA-1005PMB1-C-060

- A drip-proof cap is fitted on the unit on delivery.
- Liquid-proof caps are not sold separately.
- Ensure that the cap is facing upward. If the cap is facing sideways or downward, it cannot provide an effective means for liquid proofing.



### Square flange OP-040PB

- Once the attachment site is determined, use the main unit's nut to securely fasten in place.



### Holder with a switch OP-030KB-2

- Although a holder with a switch can be ordered on its own, we strongly recommend ordering one with the main unit. Please include the main unit's model number when placing an order.

