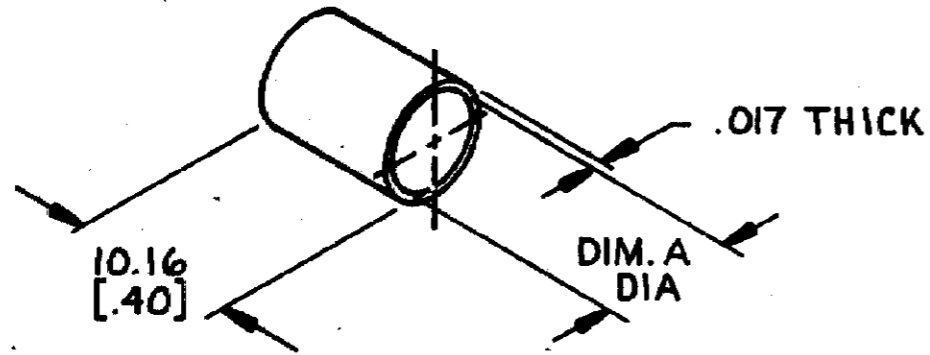


THIS DRAWING IS UNPUBLISHED. RELEASED FOR PUBLICATION

© COPYRIGHT 19 BY AMP INCORPORATED, HARRISBURG, PA. ALL INTERNATIONAL RIGHTS RESERVED. AMP PRODUCTS MAY BE COVERED BY U.S. AND FOREIGN PATENTS AND/OR PATENTS PENDING.

REVISIONS						
P	F	ZONE	LTR	DESCRIPTION	DATE	APPROVED
C			C	OBSOLETE:-5,-6 & -7; ECN AA-6958	1-8-91	LHS AH

1. DIMENSIONS IN BRACKETS [ ] ARE IN INCHES.



12.70	[.500]	554266-8
7.62	[.300]	554266-4
6.35	[.250]	554266-3
DIM. A		PART NO

UNLESS OTHERWISE SPECIFIED DIMENSIONS ARE IN MM TOLERANCES ON: DECIMALS ± ANGLES ±	CONTRACT NO		AMP INCORPORATED Harrisburg, Pa.	
	DR <i>S. Posebanck</i> 9-7-83			
MATERIAL <b>BRASS</b>	CHK <i>Miriel</i> 9-9-83		NAME <b>FERRULE, INNER</b>	
	APPD <i>James Kelle</i> 9/13/83 APPROV <i>John</i> 9/13/83		DRAWING NO <b>554266</b>	
FINISH _____	DSGN APPD _____		SIZE <b>B</b>	PSCM NO <b>00779</b>
	OTHER APPD _____		DRAWING NO <b>554266</b>	
			SCALE <b>2:1</b>	SHEET <b>1 OF 1</b>

**METRIC**