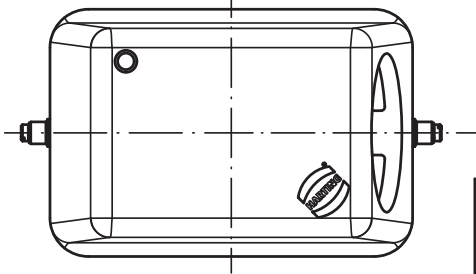
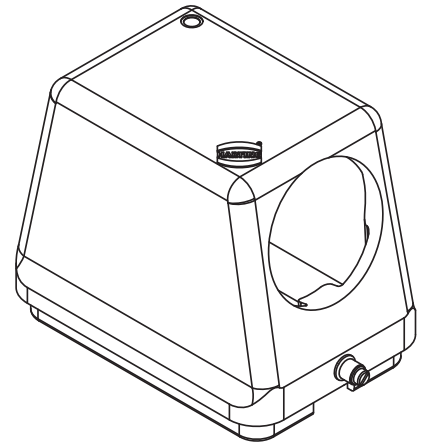
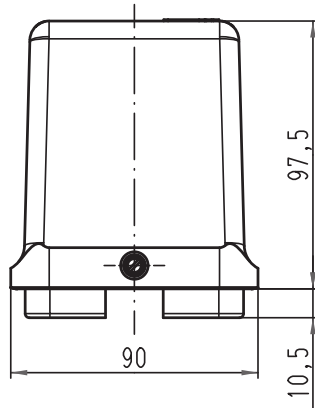
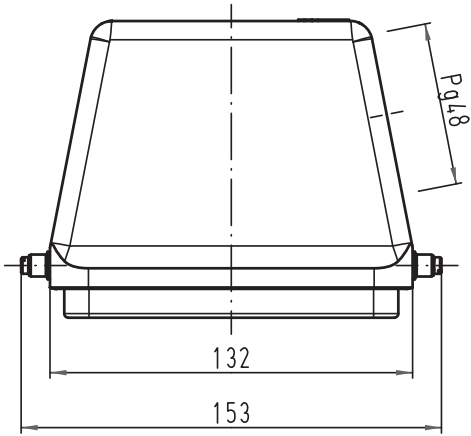




Alle Rechte vorbehalten/ All rights reserved



|  All Dimensions in mm Original Size DIN A 4 | | | Techn. Character. | | | Nicht tolerierte Maß/Free size tolerances | | | |
|-----------------------------------------------------------------------------------------------------------------------------------|------|------|-----------------------------------------------------|----------|------|---------------------------------------------------------------------------------------|------------------------------------|-----|---------------------------------------------------------|
| Mod. | Dat. | Name | Detail. | Dat. | Name | Maßstab/Scale | Han 48M-gs-R-48 Gehäuse hood | | |
| | | | | 23.01.09 | Bor | | | 1:2 | TB 09 37 048 0546 Sub. TB 09 37 048 0546 v. 16.11.01 |
| | | | Insp. | | Be | | | | |
| | | | Stand. | | | | | | |
| A | | | HARTING Electric GmbH & Co. KG D-32339 Espelkamp | | |  | Blatt/page / | | |
| | | | | | | | | | |