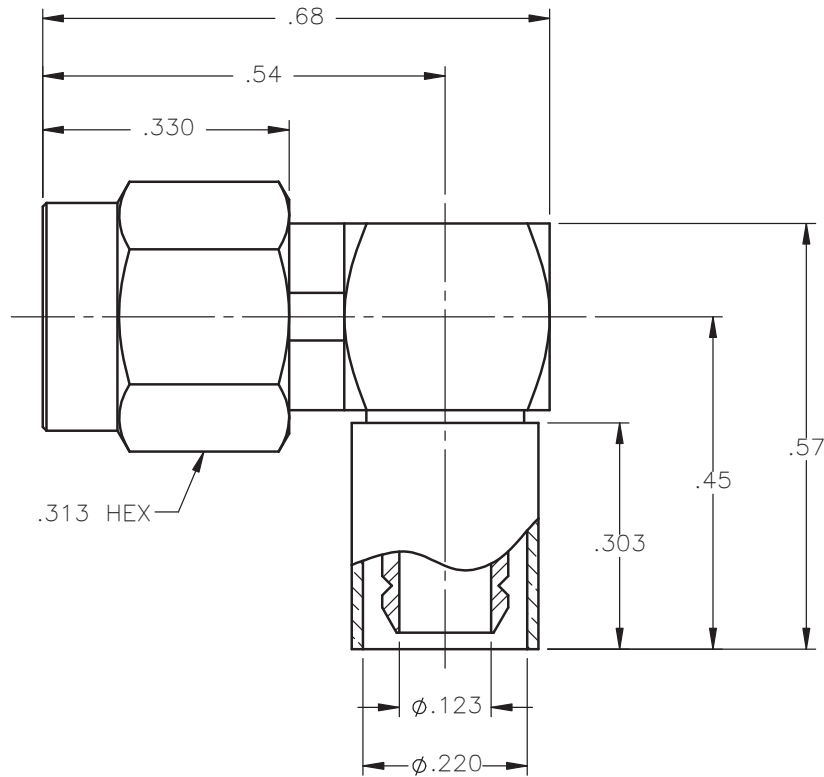


| REVISIONS |                 |          |          |
|-----------|-----------------|----------|----------|
| REV.      | DESCRIPTION     | DATE     | APPROVED |
| A         | INITIAL RELEASE | 12/04/12 | D.N.     |






NOTES:

MATERIALS:

1. BODIES & COUPLING NUT = STAINLESS STEEL PER ASTM A582, ALLOY 303, CONDITION "A".
2. CONTACT & RETAINING RING = BERYLLIUM COPPER PER ASTM B196, ALLOY C17300, TEMPER TD04.
3. INSULATORS = VIRGIN WHITE TEFLON PER ASTM D1710, GRADE 1, TYPE I, CLASS "B".
4. GASKET = SILICONE RUBBER PER ZZ-R-765, CLASS 2B, GRADE 65-75.
5. CAP = BRASS PER ASTM B16, ALLOY C36000, TEMPER H02.
6. CRIMP SLEEVE = SEAMLESS LOWLEAD BRASS TUBE, ALLOY 330, SOFT ANNEAL TEMPER, .025/.060 GRAIN SIZE OR SEAMLESS COPPER TUBE PER ASTM B75, TYPE C12000, TEMPER: LIGHT ANNEAL O50 EXCEPT YIELD STRENGTH.
7. SHRINK SLEEVE = (NOT SHOWN) = THERMOFIT SCL, BLACK.

FINISHES:

1. BODIES = GOLD PLATE PER MIL-G-45204, TYPE II, CLASS 0, GRADE C, OVER .000050 TO .00010 STRESS FREE NICKEL PER QQ-N-290.
2. COUPLING NUT = PASSIVATE PER QQ-P-35, TYPE VI.
3. CONTACT = GOLD PLATE PER MIL-G-45204, TYPE II, CLASS 1, GRADE C, OVER .00010 TO .00020 STRESS FREE SULFAMATE NICKEL PER QQ-N-290.
4. CRIMP SLEEVE & CAP = GOLD PLATE PER MIL-G-45204, TYPE II, CLASS 0, GRADE C, OVER .00010 TO .00020 COPPER STRIKE PER MIL-C-14550.

|   |       |                                 |                 |  |   |
|---|-------|---------------------------------|-----------------|--|---|
| UNLESS OTHERWISE SPECIFIED DIMENSIONS ARE IN INCHES TOLERANCES ON |       | DWN: D.N.                       | DATE: 12/04/12  |  <b>Property of Radiall</b><br>This document cannot be reproduced or communicated to a third party without prior written permission of RADIALL. |  |
| DECIMAL   | ANGLE | CHKD: J.S.                      | DATE: 12/04/12  |  |   |
|   |       | APVD: J.M.                      | DATE: 12/04/12  |  |   |
| REFERENCE:  |       | MATERIALS & FINISHES: SEE NOTES |                 | <b>SMA RIGHT ANGLE PLUG CRIMP TYPE FOR RG-55 &amp; SIMILAR CABLES</b>  |   |
| ORIGINATED: D.N.<br>DATE: 12/04/12                                |       | SIZE: A                         | FSCM NO.: 19505 | DWG NO.: 9043-1523-001   | REV: A  |
|   |       | SCALE: 4:1                      |                 | THIRD ANGLE PROJECTION    |   |
|   |       |                                 |                 | SHEET 1 OF 1   |   |

9043-1523-001