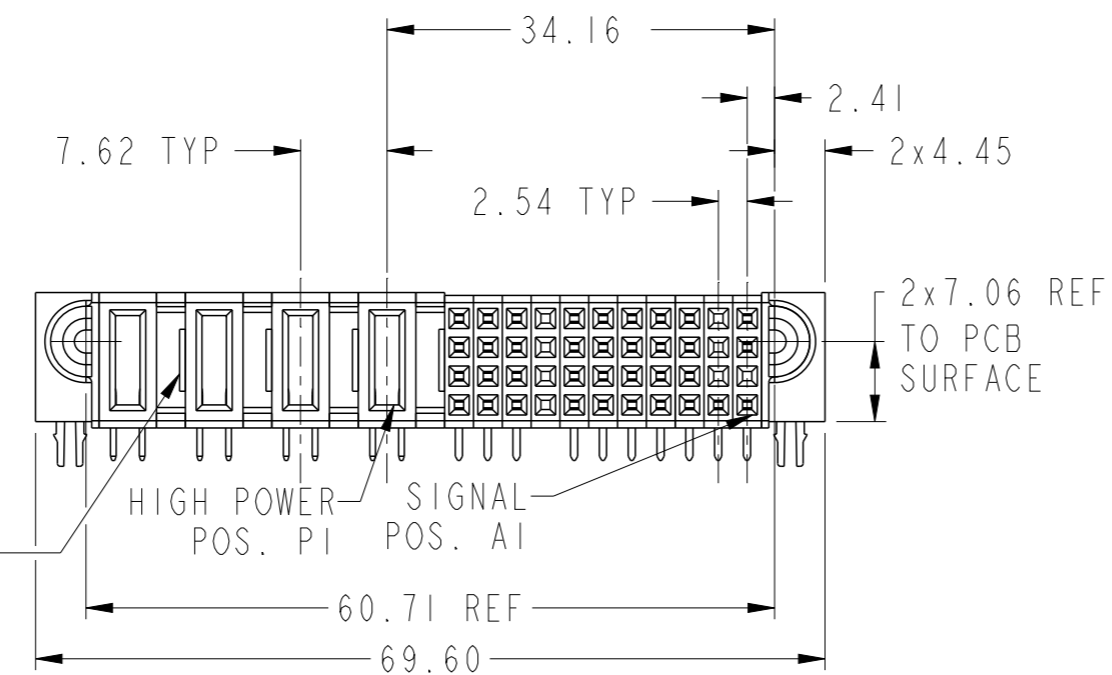
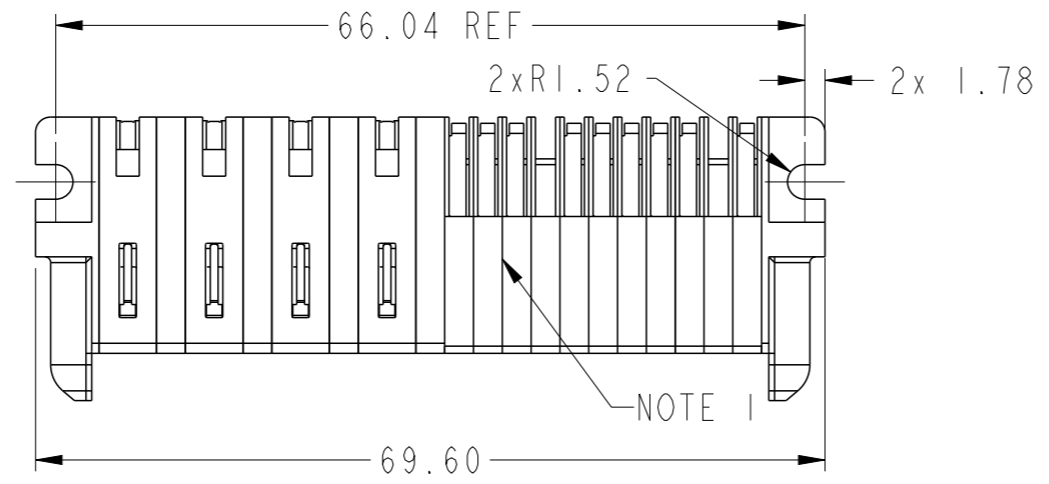
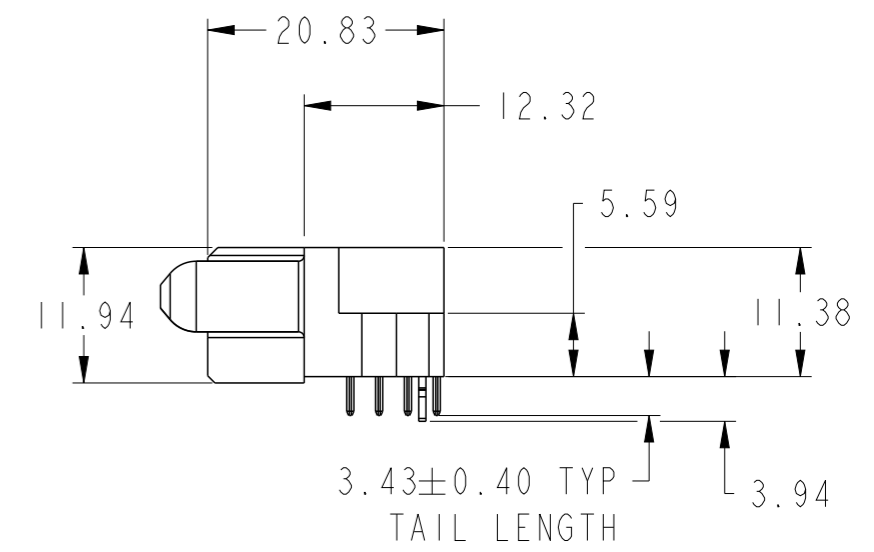
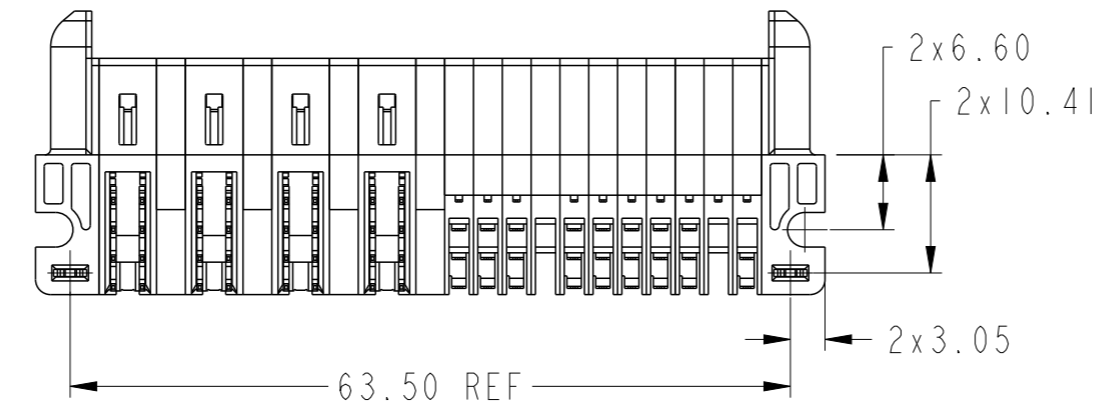


PRODUCT NUMBER SEE SHEET 2

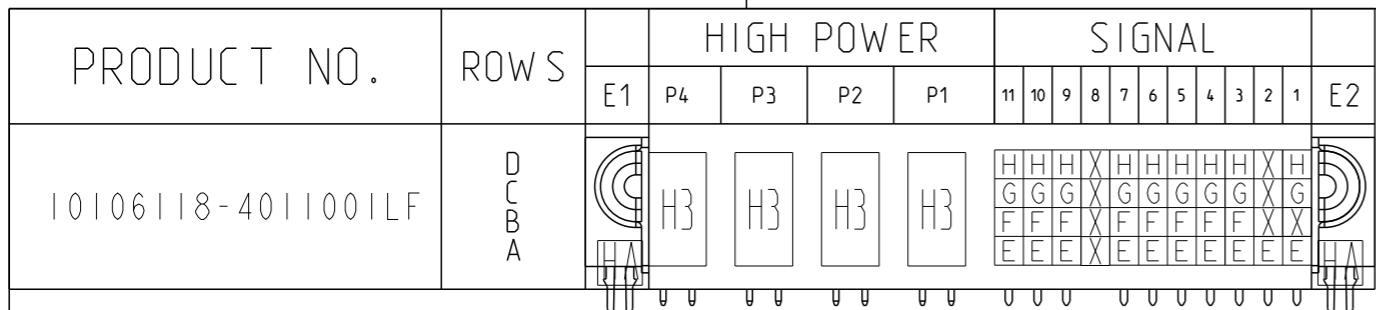


VOID CORING OPTION, TYP SEE NOTE 9

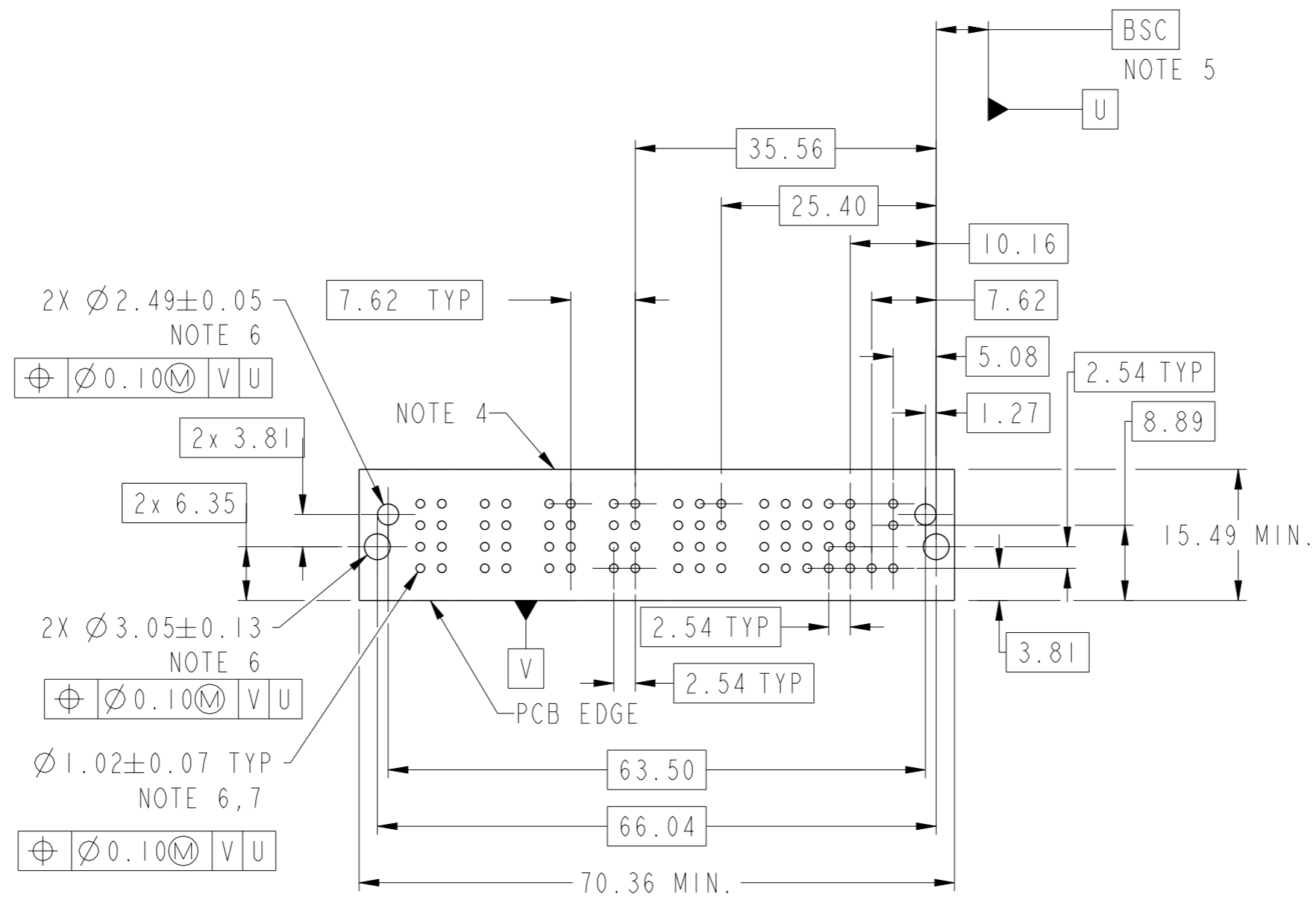


Copyright FCI.

spec ref	*	dr	Rainbow Zhan	2014/06/12	projection	MM	size	A3	scale	3:2	
tolerance std	ASME Y14.5	eng	Rainbow Zhan	2014/07/03			ecn no	-	rel level	Released	
TOLERANCES UNLESS OTHERWISE SPECIFIED		chr	Li-He	2014/07/03							product family
surface	<input checked="" type="checkbox"/> linear <input type="checkbox"/> angular	appr	Pei-Ming Zheng	2014/07/03			title 44S + 4ACP RA STB RECEPTACLE	dwg no 10106118-4011001	rev A	cat. no. Product - Customer Drw	sheet 1 of 3



CODE	DESCRIPTION
E	STD SIGNAL CONTACT, ROW A
F	STD SIGNAL CONTACT, ROW B
G	STD SIGNAL CONTACT, ROW C
H	STD SIGNAL CONTACT, ROW D
H3	STD HIGH POWER CONTACT(3.43)
HA	METAL HOLD DOWN



dr	Rainbow Zhan	2014/06/12	projection	MM	size	A3	scale	3:2				
eng	Rainbow Zhan	2014/07/03		←→	ecn no	-	rel level	Released				
chr	Li-He	2014/07/03										
appr	Pei-Ming Zheng	2014/07/03	product family	PwrBlade+								
		title			44S + 4ACP		dwg no		10106118-4011001	rev		A
www.fci.com		cat. no.			Product - Customer Drw			sheet 2 of 3				

Copyright FCI.

1

2

3

4

A

B

C

D

A

B

C

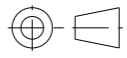
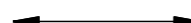

D

NOTES:

- 1) "FCI", PART NUMBER AND DATE CODE TO BE MARKED ON THIS SURFACE.  
THE MARK CAN BE OMITTED IF THERE IS NOT ENOUGH SPACE ON THIS SURFACE.
- 2) MATERIALS:  
-HOUSING - GLASS FILLED WITH HIGH TEMP THERMOPLASTIC, UL94V-0.  
-SIGNAL CONTACT - COPPER ALLOY.  
-POWER CONTACT - HIGH CONDUCTIVITY COPPER ALLOY.
- 3) PLATING SPECIFICATION REFER TO FCI 10116351
- 4) DENOTES CONNECTOR KEEP OUT ZONE.
- 5) DATUM AND BASIC DIMENIONS WERE ESTABLISHED BY CUSTOMER.
- 6) ALL HOLE DIAMETERS ARE FINISHED HOLE SIZES.
- 7)  $1.15 \pm 0.025$ MM DRILLED HOLE PLATED WITH  $0.00762$ MM MIN Sn  
OVER  $0.0254-0.0762$ MM Cu PLATING TO ACHIEVE A  $1.02 \pm 0.07$ MM HOLE.
- 8) PRODUCT SPECIFICATION REFER TO FCI GS-12-658.  
APPLICATION SPECIFICATION REFER TO FCI GS-20-141.  
PRODUCT PACKAGED IN TRAYS, REFER TO FCI GS-14-1502.
- 9) THE VOID CORING IN BETWEEN POWER MODULES, SIGNAL  
MODULES AND END MODULES ARE OPTIONAL AND THE SHAPE  
MAY BE DIFFERENT FOR OPTIMIZE THE MOLDING PROCESS. THE  
VOID CORING WILL NOT EFFECT TO PRODUCT FUNCTION.



Copyright FCI.

dr	Rainbow Zhan	2014/06/12	projection 	MM 	size	A3	scale	3:2
eng	Rainbow Zhan	2014/07/03			ecn no	-		
chr	Li-He	2014/07/03			product family	PwrBlade+	rel level	Released
appr	Pei-Ming Zheng	2014/07/03						
		title 44S + 4ACP RA STB RECEPTACLE		dwg no 10106118-4011001	rev A			
<a href="http://www.fci.com">www.fci.com</a>		cat. no.	Product - Customer Drw		sheet 3 of 3			

2

3