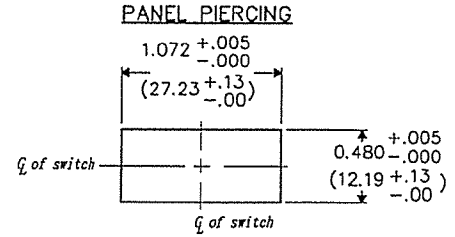
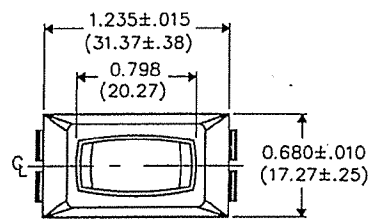


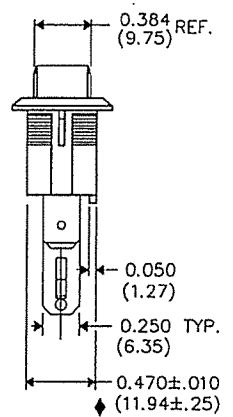
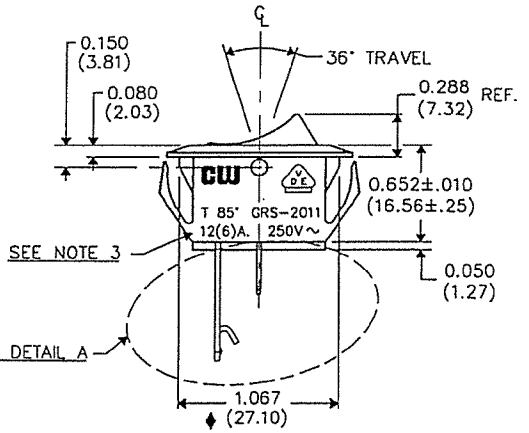
DIMENSIONS IN INCHES (MILLIMETERS)
DO NOT SCALE DRAWING

Dwg. No.
GRSN-2011-3005

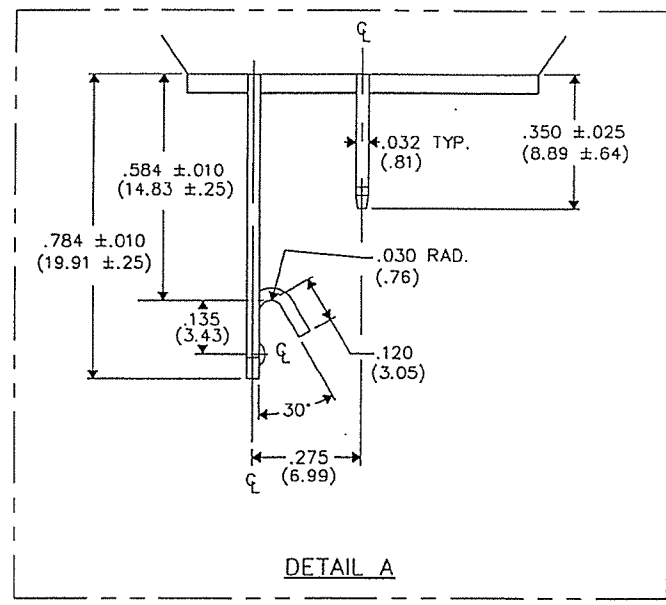
E
D
C
B
A



- NOTE:**
1. Dimensions with a ♦ are critical.
 2. Terminals to be perpendicular to base within 3°.
 3. All information is in approx. areas shown.



- UL & CSA LISTINGS**
- 16A. 125V. A.C. 12A. 250V. A.C.
 - 3/4 H.P. 125-250V. A.C.
 - 10A. 14V(T)
- VDE LISTINGS**
- GRS-2011 T85*
 - 12(6)A. 250V.~



PART No.
28161-062

1 2 3 4 5 6 7 8 9 10

FORM-B4
REVISIONS
0
RELEASED
DGW 2-09-2001

ATTENTION
THIS DRAWING AND ITS ATTACHMENT, IF ANY, ARE PROPRIETARY TO CW INDUSTRIES AND DESCRIBE DESIGNS THAT ARE CONFIDENTIAL AND MUST NOT BE DISCLOSED UNLESS AUTHORIZED, IN WRITING, BY AN OFFICER OF CW INDUSTRIES.....

cw INDUSTRIES
Southampton, Pa. 18966

TOLERANCES UNLESS OTHERWISE SPECIFIED

2 Place Decimal ±.010	METRIC
3 Place Decimal ±.005	1 Place Dec. ±.25mm
Angles ±1°	2 Place Dec. ±.13mm

Made for: CW IND.
Drawn by: DGW 2-09-2001
Checked by: G. Guld 2-12-01
Approval: P. Palangon 2-12-01

Title: SWITCH ASSEMBLY WITH (ONE PIECE TERMINAL)
Division: SWITCH
Dwg. No. GRSN-2011-3005

MASTER