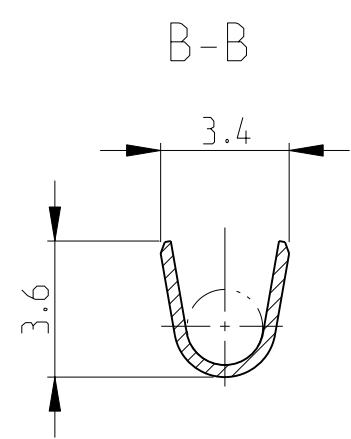
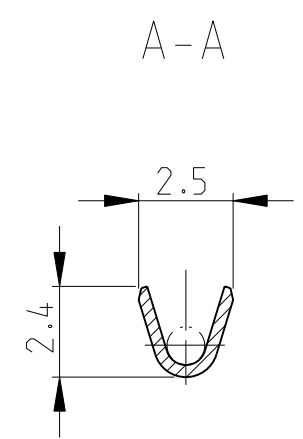
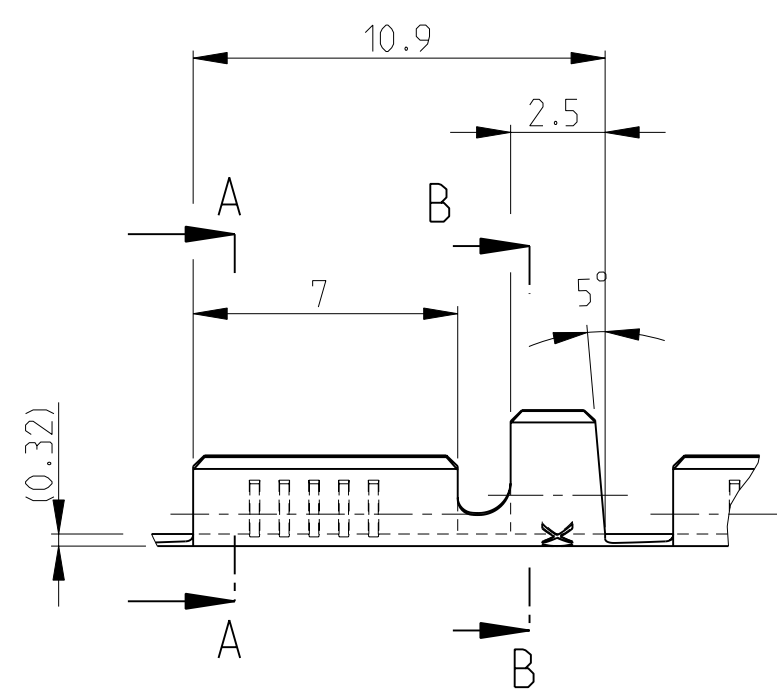


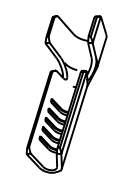
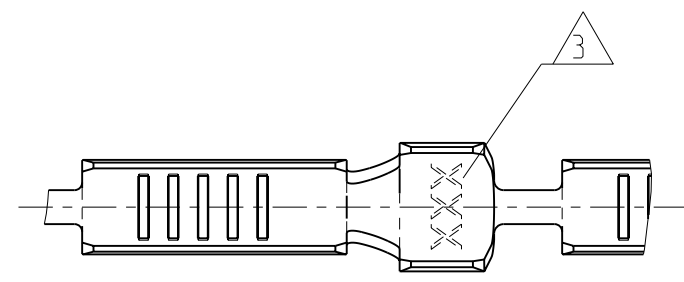
THIS DRAWING IS UNPUBLISHED. RELEASED FOR PUBLICATION 2009
 © COPYRIGHT 2009 BY TYCO ELECTRONICS CORPORATION. ALL RIGHTS RESERVED.

LOC	DIST	REVISIONS				
P	LTR	DESCRIPTION	DATE	DWN	APVD	
A1	-	G	NEW CAD DRAWING CREATED	12FEB2009	Abr	Goep
		G1	REVISED PER ECO-09-026495	14DEC09	KK	AEG

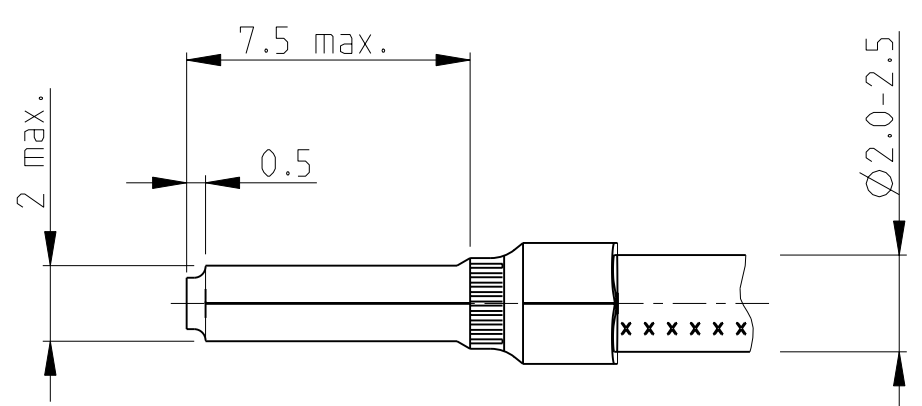


NOTES
Bemerkungen

- 1 TO REELED WITH PAPER
Streifen mit Papierzwischenlage gewickelt
- 2 SPLICE FREE VERSION
Streifen ohne Unterbrechung
- 3 COMPANY TRADEMARK
Firmen-Logo
- 4 OBSOLETE PARTS: OBSOLETE CIS STREAMLINING
PER D.RENAUD/D.SINISI



2:1



4 OBSOLETE	PRE TIN / vorverzinnt	CuZn30	925667-6	2	G
	PLAIN / blank	CuZn30	925667-5	2	G
	PRE TIN / vorverzinnt	CuZn30	925667-2		G
	PLAIN / blank	CuZn30	925667-1		G
	FINISH	MATERIAL	PART NO.	REV.	

DIMENSIONS:		TOLERANCES UNLESS OTHERWISE SPECIFIED:		DWN		CHK		APVD		NAME	
mm		±0.2		12FEB2009		13FEB2009		-		Abraham, G.	
0 PLC		±		-		-		-		GoeppeL, C.	
1 PLC		±		-		-		-		-	
2 PLC		±		-		-		-		-	
3 PLC		±		-		-		-		-	
4 PLC		±		-		-		-		-	
ANGLES		±1°		-		-		-		-	
MATERIAL		FINISH		PRODUCT SPEC		APPLICATION SPEC		WEIGHT		RESTRICTED TO	
-		-		-		-		0.16 g		-	
INSUL. RANGE Ø2.0-2.5 mm				WIRE RANGE 0.3-0.8 mm ²				SCALE		SHEET	
								5:1		1 OF 1	
								REV		G1	