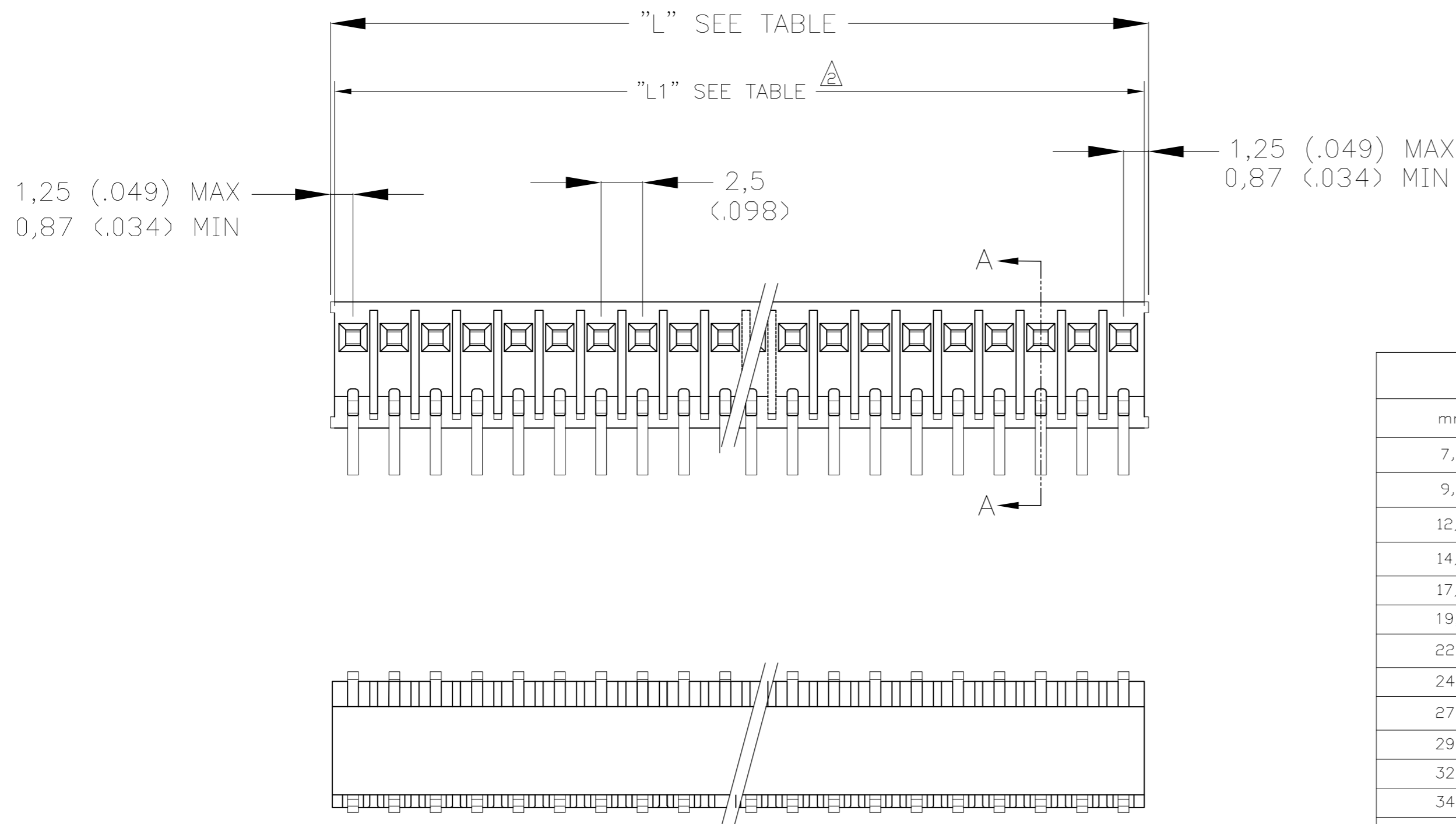


THIS DRAWING IS UNPUBLISHED. RELEASED FOR PUBLICATION  
 © COPYRIGHT - By - ALL RIGHTS RESERVED.

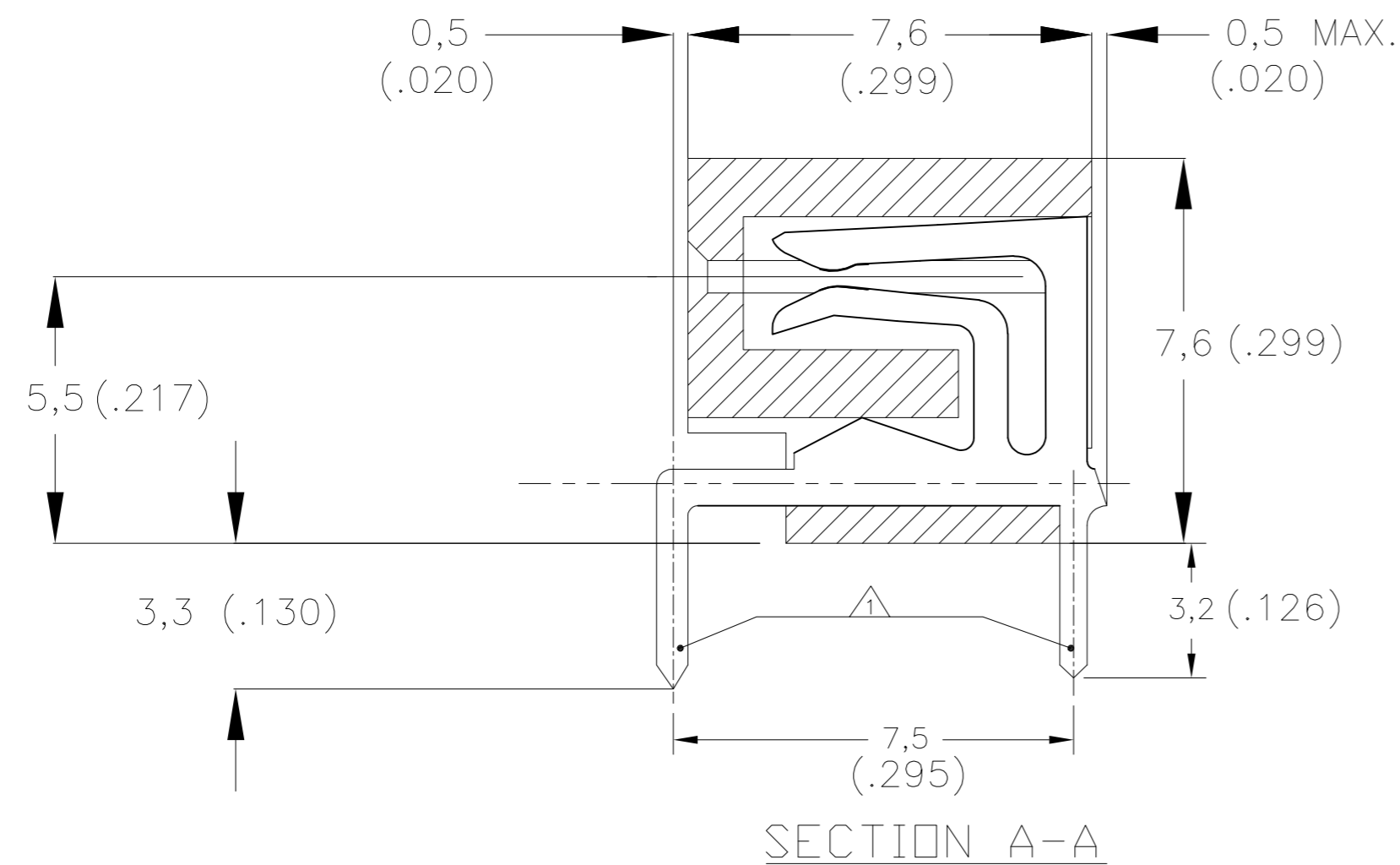
LOC	DIST	REVISIONS			
P	LTR	DESCRIPTION	DATE	DWN	APVD
H	-	H1 PART STATUS UPDATED	05OCT2021	SCB	SS



NOTES:

- 1. PREFERRED HOLE SIZE: 0,8 (+0,1 / -0,0) (.031) 0,9 (+0,1 / -0,0) (.035) 1,0 (+0,1 / -0,0) (.039) DEPENDING ON NUMBER OF POSITIONS OF CONNECTOR FOR MORE INFORMATION PLEASE CONTACT PRODUT-ENGINEERING DEPARTMENT.
- 2. ONLY FOR USE WITH G.M.T.S HEADERS
- 3. OBSOLETE

"L1" MAX. 2		"L" MAX		NUMBER OF LOADED POS.	ORDER NO.
mm	(inches)	mm	(inches)		
7,3	0,287	7,6	0,300	3	163683-1
9,8	0,386	10,1	0,398	4	<del>163683-2</del> 3
12,3	0,484	12,6	0,497	5	<del>163683-3</del> 3
14,8	0,582	15,1	0,595	6	163683-4
17,3	0,681	17,6	0,694	7	<del>163683-5</del> 3
19,8	0,779	20,1	0,792	8	<del>163683-6</del> 3
22,3	0,878	22,6	0,890	9	<del>163683-7</del> 3
24,3	0,976	25,1	0,989	1	163683-8
27,8	1,075	27,6	1,087	11	<del>163683-9</del> 3
29,8	1,173	30,1	1,186	12	<del>163683-1</del> 3
32,3	1,271	32,6	1,284	13	<del>163683-2</del> 3
34,8	1,370	35,1	1,382	14	<del>163683-3</del> 3
37,3	1,468	37,6	1,481	15	<del>163683-4</del> 3
39,8	1,567	40,1	1,579	16	<del>163683-5</del> 3
42,3	1,665	42,6	1,678	17	<del>163683-6</del> 3
44,8	1,764	45,1	1,776	18	<del>163683-7</del> 3
47,3	1,862	47,6	1,875	19	<del>163683-8</del> 3
49,8	1,960	50,1	1,973	20	<del>163683-9</del> 3
		52,6	2,071	21	<del>163683-0</del> 3
		55,1	2,170	22	<del>163683-1</del> 3
		57,6	2,268	23	<del>163683-2</del> 3
		60,1	2,367	24	<del>163683-3</del> 3



MATERIAL HOUSING: GRAY CRASTIN SK643FR  
 RECEPTACLES: BRASS; TINPLATED OVER NICKEL-BARRIER

THIS DRAWING IS A CONTROLLED DOCUMENT.		DWN	16-03-1973	 TE Connectivity FEMALE CONN.FOR COMMERCIAL INTERCONNECTION SYSTEM 2,5mm PITCH. SIDE ENTRY			
DIMENSIONS: mm [INCHES]		CHK	19-03-1973				
TOLERANCES UNLESS OTHERWISE SPECIFIED:		APVD	-				
0 PLC ± - 1 PLC ± 0.2 2 PLC ± 0.1 3 PLC ± - 4 PLC ± - ANGLES ± - FINISH -		PRODUCT SPEC	-				
MATERIAL SEE TABLE		APPLICATION SPEC	-	SIZE	CAGE CODE	DRAWING NO	RESTRICTED TO
		WEIGHT	-	A2	00779	C=163683	-
		CUSTOMER DRAWING	SCALE	4:1	SHEET	1 of 1	REV
							H1