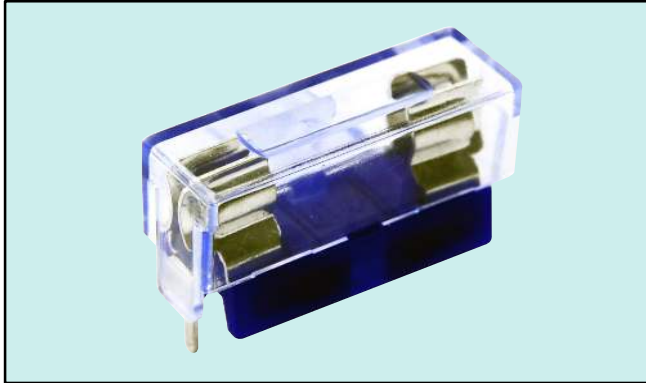


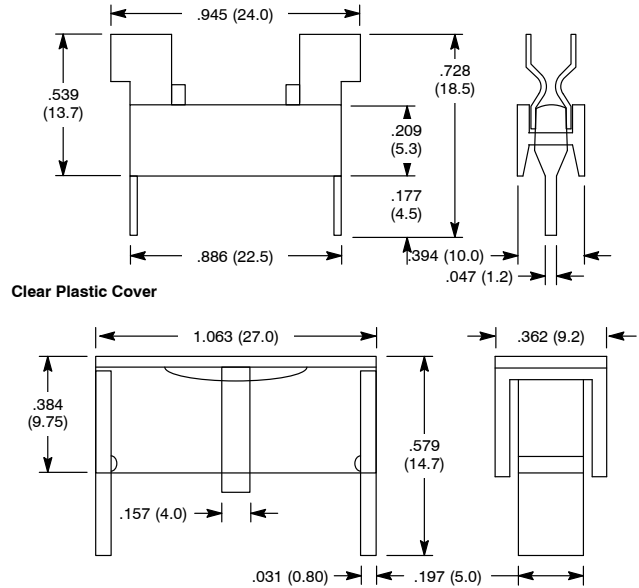
# 74-FB5, Fuse Block w/Clear Cover

## Specifications:

- For 5 x 20mm Fuse
- PC Mount
- Rated for Current up to 10A



## FA-04



# R58-Boot

## Protective Boot

### Features

- For R58 Series Circuit Breakers
- Waterproof
- M11 Thread
- Clear Silicon



## FA-14

