

THIS DRAWING IS UNPUBLISHED. RELEASED FOR PUBLICATION SEP, 2005.

© COPYRIGHT 2005 BY TYCO ELECTRONICS CORPORATION. ALL RIGHTS RESERVED.

LOC	DIST	REVISIONS			
P	LTR	DESCRIPTION	DATE	DWN	APVD
E	B	C	ECR-05-011509	21SEP05	JMS FWK

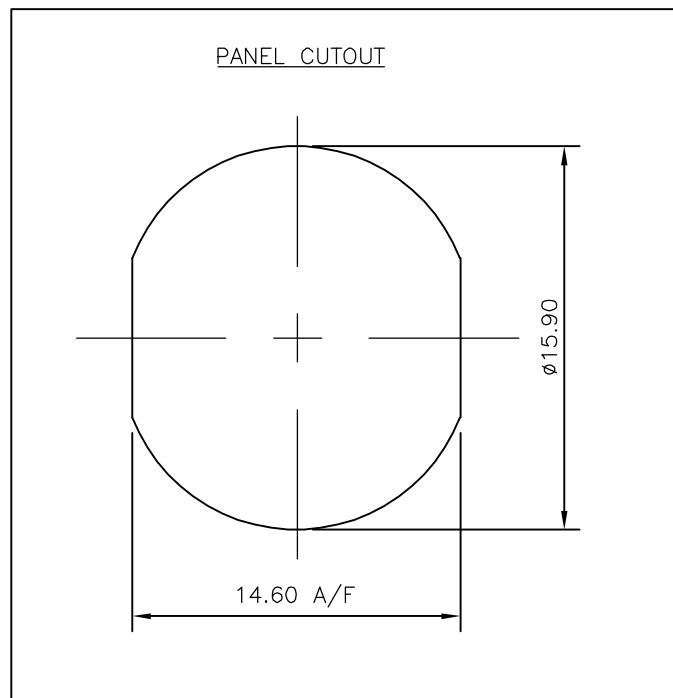
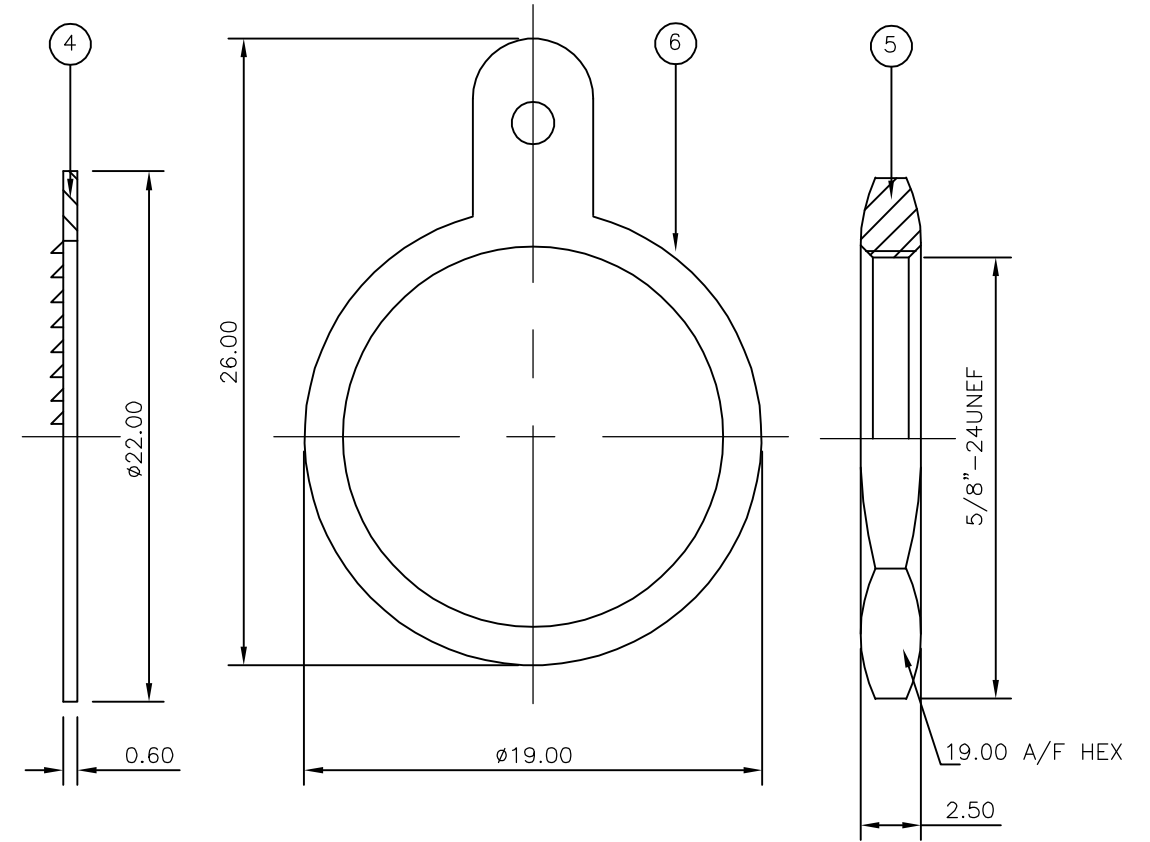
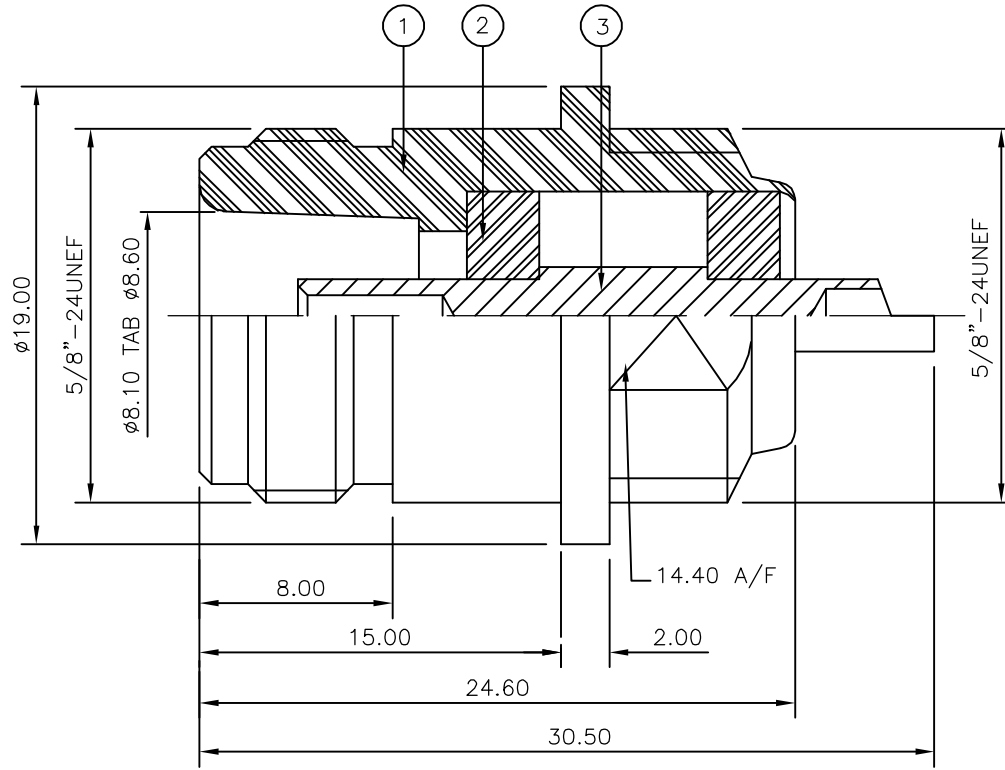
NOTES:

- 1 PACK IN ACCORDANCE WITH AMP SPEC 107-3275
- 2 100 TRAY PACK IN ACCORDANCE WITH AMP SPEC 107-3275
- 3 Ag PLATING
- 4. ELECTRICAL CHARACTERISTICS
 

FREQUENCY RANGE:	DC - 11 GHz
NOMINAL IMPEDANCE:	50 Ohm
INSULATION RESISTANCE:	5000 MOhm
WORKING VOLTAGE:	1000 Volts RMS at Sea Level
DIELECTRIC WITHSTAND VOLTAGE:	2500 Volts RMS Max
CONTACT RESISTANCE:	
CENTRE CONTACT:	1.00 mOhm Max
OUTER CONTACT:	1.00 mOhm Max
VSWR @ xGHz:	N/A
INSERTION LOSS xdb:	N/A
- 5. MECHANICAL CHARACTERISTICS
 

MOUNT NUT RECOMMENDED TORQUE:	6N
DURABILITY:	500 Cycles Min
- 6. ENVIRONMENTAL CHARACTERISTICS
 

OPERATING TEMPERATURE:	-65 to +165 DegC
------------------------	------------------



QTY	PLC	MATERIAL	DESCRIPTION	ITEM
1	1	BRASS	SOLDER TAG	6
1	1	BRASS	HEX NUT	5
1	1	BRASS	WASHER	4
1	1	BRASS	CONTACT	3
2	2	PTFE	INSULATION	2
1	1	BRASS	BODY	1
6--0	1--0	MATERIAL	DESCRIPTION	ITEM

THIS DRAWING IS A CONTROLLED DOCUMENT.	
DIMENSIONS: mm	TOLERANCES UNLESS OTHERWISE SPECIFIED:
	0 PLC ± -
	1 PLC ± -
	2 PLC ± -
	3 PLC ± -
	4 PLC ± -
	ANGLES ± -
MATERIAL: SEE TABLE	FINISH: SEE TABLE

DWN	J.SANDWELL	21SEP05
CHK	S.PARLOW	21SEP05
APVD	F.WHEELER-KING	21SEP05
PRODUCT SPEC	108-3435	
APPLICATION SPEC		
WEIGHT	-	

QUANTITY PER ASSY		PARTS LIST	
<b>tyco</b> Electronics			
Tyco Electronics Corporation		Bideford EX39 4HE	
NAME: TYPE-N BULKHEAD SOCKET FRONT MOUNT 50 OHM			
SIZE	CAGE CODE	DRAWING NO	RESTRICTED TO
A3	00779	C-1337417	-
CUSTOMER DRAWING		SCALE	SHEET 1 OF 1 REV C
		NTS	