

THIS DRAWING IS UNPUBLISHED.

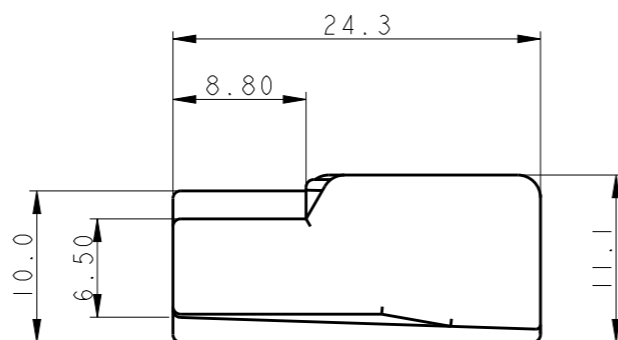
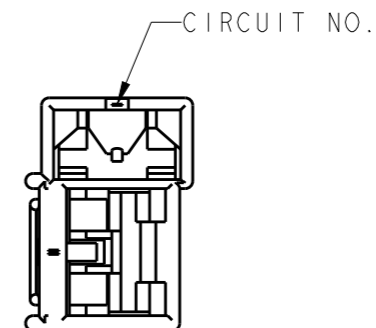
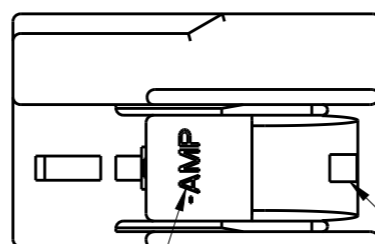
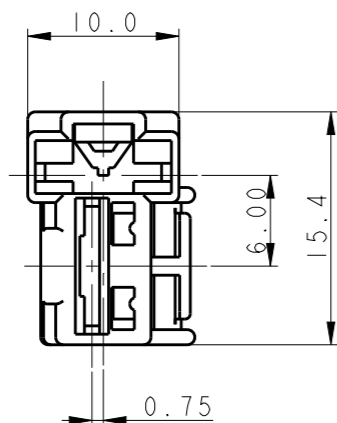
RELEASED FOR PUBLICATION

20

© COPYRIGHT 20 BY - ALL RIGHTS RESERVED.

REVISIONS

P	LTR	DESCRIPTION	DATE	DWN	APVD
	A1	REVISED PER ECR-16-012270	26AUG2016	SC	BW



- NOTE:
1. PRDDUCT SPEC: 108-5164
 2. APPLICATION SPEC: 114-5052, 114-5060
 3. CUSTOMER MANUAL NO. CM-177J
 4. APPLIED CONTACT PN: 170032, 170452, 170454, 170456

BLUE	172434-6
BLACK	172434-2
NATURAL	172434-1
COLOR	P/N

THIS DRAWING IS A CONTROLLED DOCUMENT.		DWN SC KIM 26AUG2016		
DIMENSIONS: mm		CHK BH CHO 26AUG2016		
TOLERANCES UNLESS OTHERWISE SPECIFIED:		APVD BW KANG 26AUG2016	NAME 250 SERIES AUTOMOTIVE LOCK 2POS. COMBINATION HOUSING (T-TYPE)	
0 PLC ±-		PRODUCT SPEC -	SIZE CAGE CODE DRAWING NO RESTRICTED TO	
1 PLC ±0.25		APPLICATION SPEC -	A300779 C-172434	
2 PLC ±0.2		WEIGHT -	SCALE 2:1 SHEET 1 OF 1 REV A1	
3 PLC ±-		CUSTOMER DRAWING		
4 PLC ±-				
ANGLES ±3°				
FINISH -				
MATERIAL 66 NYLON				