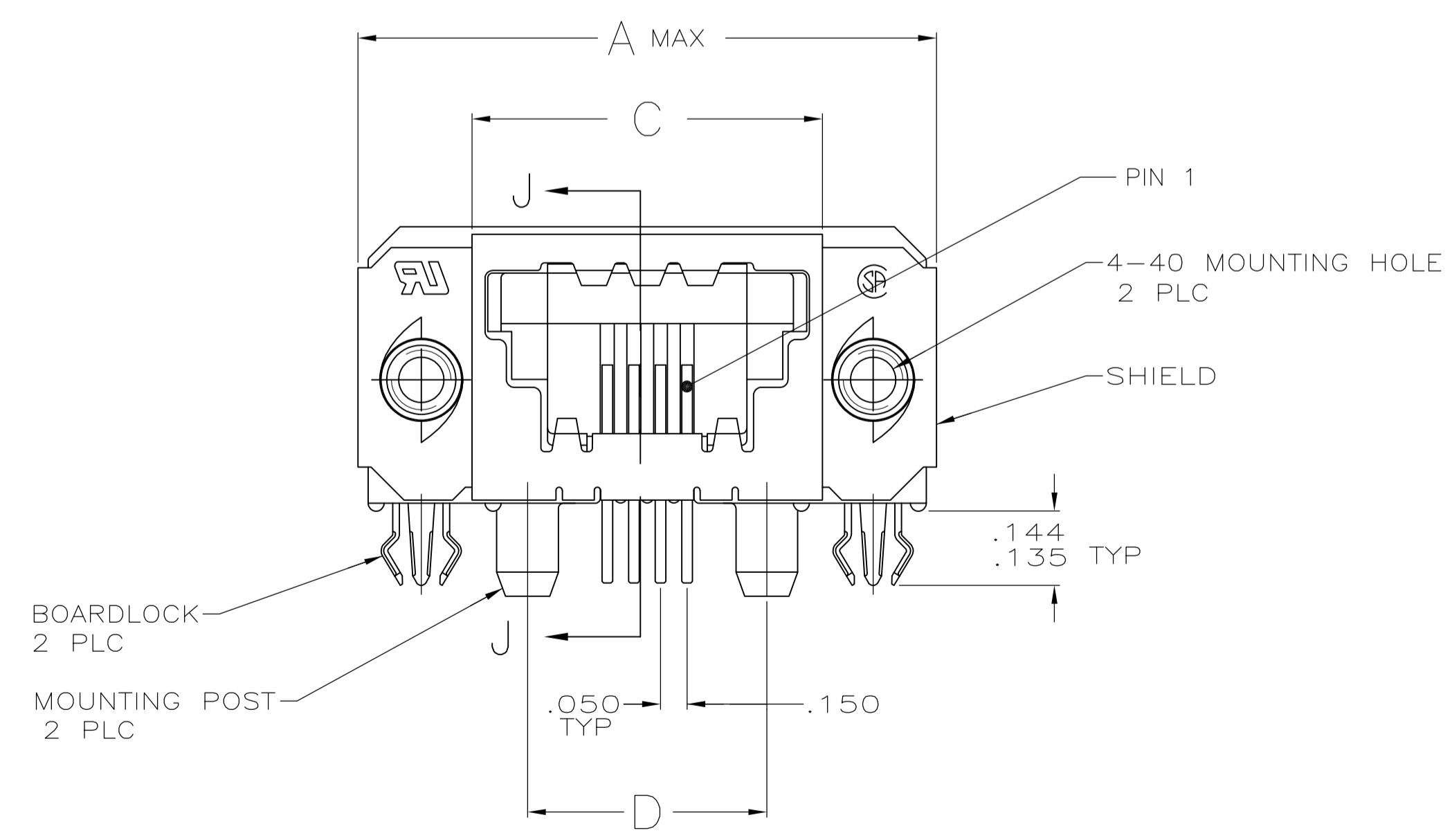
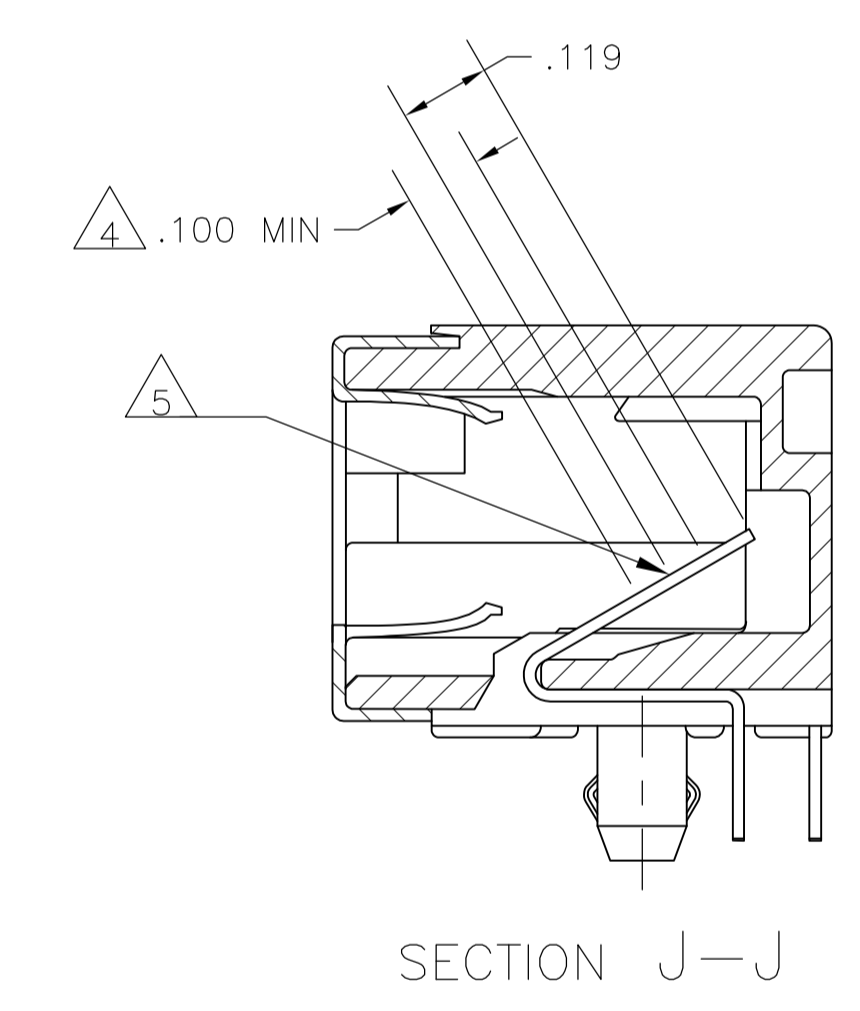
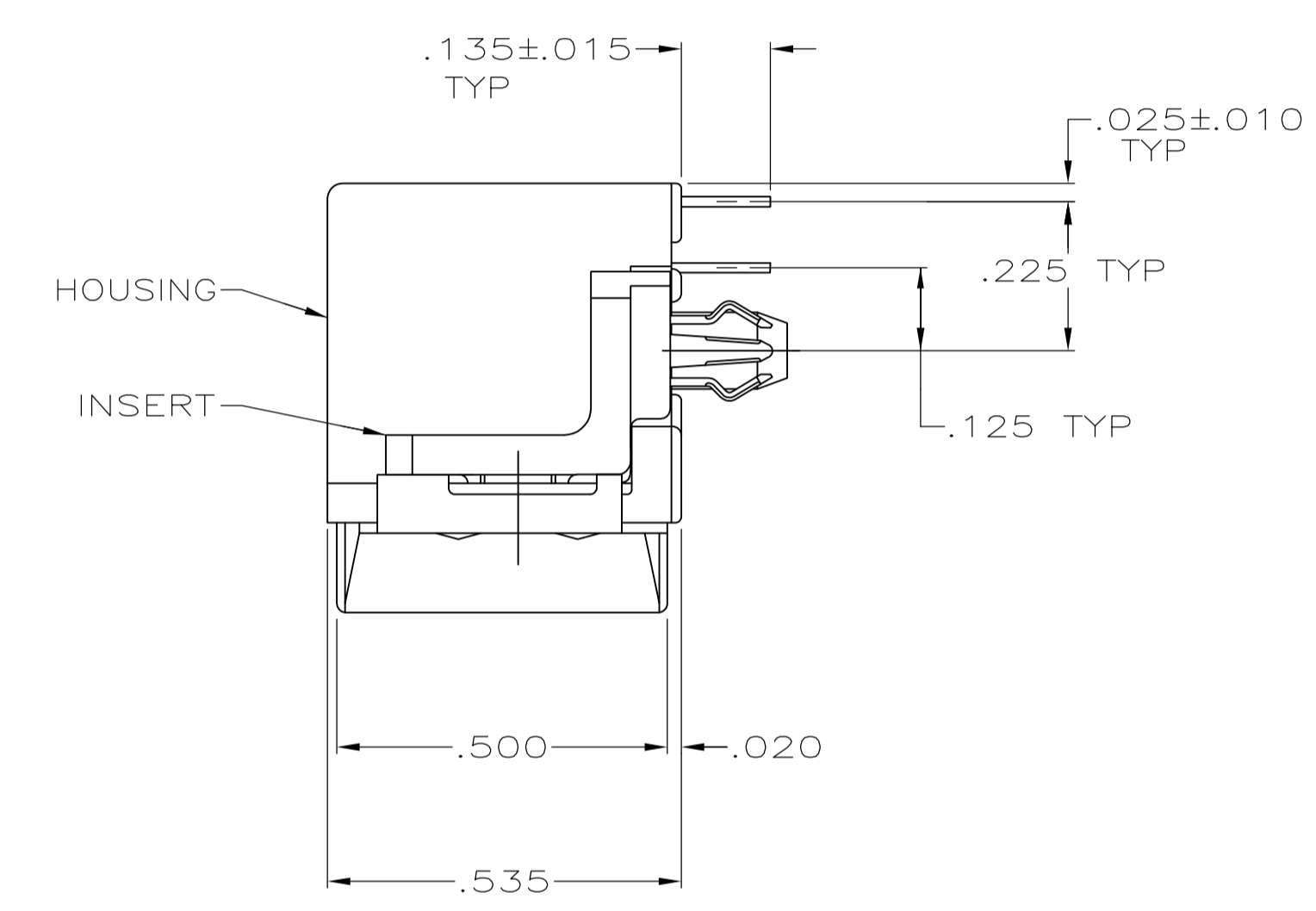
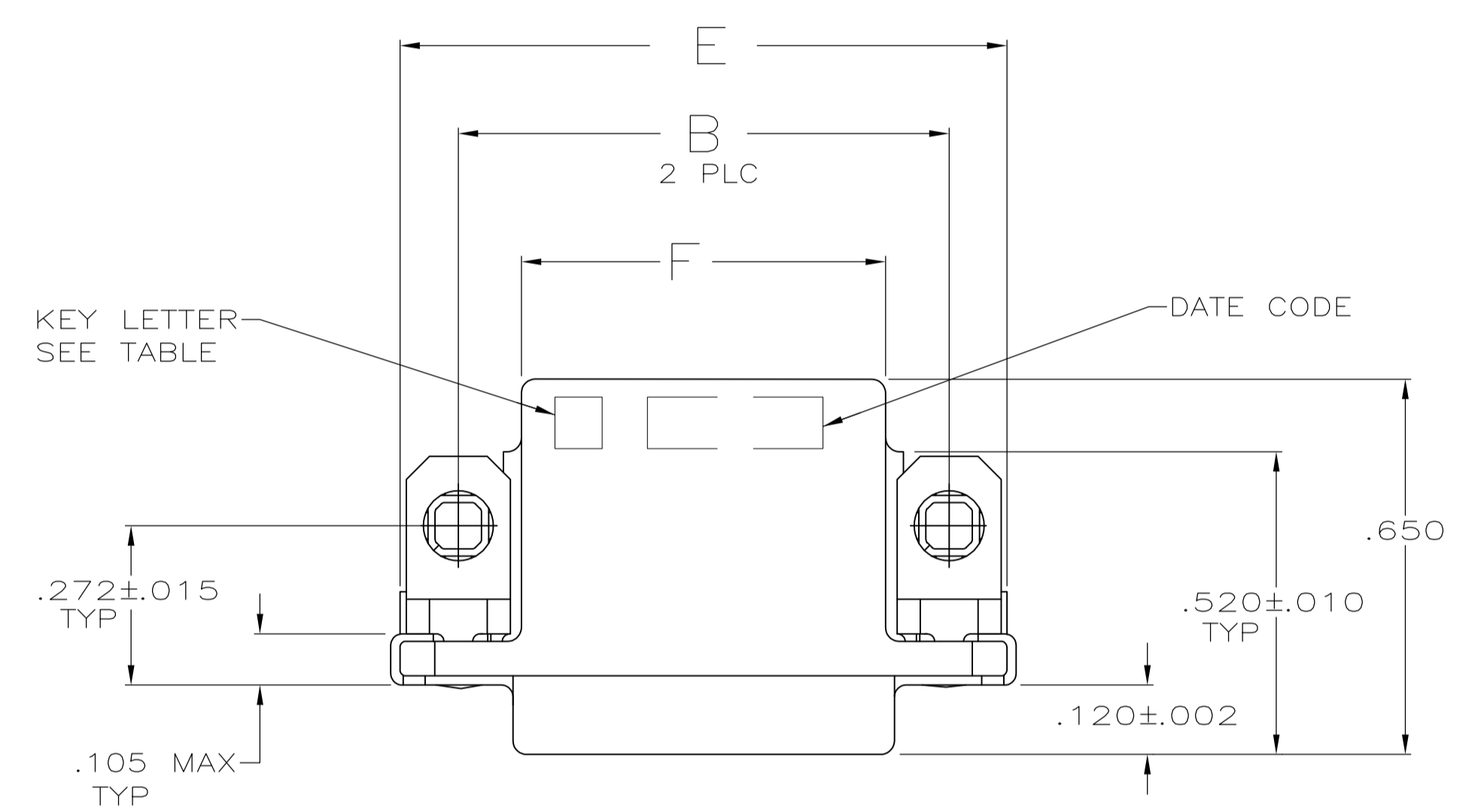


- 1 HOUSING: POLYESTER, FLAME RETARDANT, UL 94V-0 RATED, GLASS FILLED, BLACK.  
SHIELD: BRASS  
INSERT: ZINC ALLOY  
BOARDLOCKS: COPPER ALLOY.
- 2 SHIELD: .000030 MIN BRIGHT TIN OVER .000050 MIN NICKEL.  
CONTACTS: .000150 MIN MATTE TIN ON SOLDER END, .000050 MIN GOLD ON MATING END FOR A LENGTH OF .100 MIN ON MATING SURFACE, ALL OVER .000050 MIN NICKEL ON ENTIRE CONTACT.  
INSERTS: .000150 MIN NICKEL OVER .000100 MIN COPPER.  
BOARDLOCKS: .000200 MIN TIN OVER .000050 MIN NICKEL.
- 3 GOLD PLATING PER MIL-G-45204, NICKEL PLATING PER QQ-N-290, TIN PLATING PER MIL-T-10727.
- 4 DIMENSION INDICATES CONTACT MATING ZONE.
- 5 PLATING MEASUREMENT POINT.



|          |       |       |       |       |       |       |            |            |             |
|----------|-------|-------|-------|-------|-------|-------|------------|------------|-------------|
| OBSOLETE | 1.230 | 1.650 | 1.050 | 1.260 | 1.450 | 1.700 | 16         | E          | 5-1761199-6 |
|          | .830  | 1.250 | .650  | .860  | 1.050 | 1.300 | 8          | E          | 5-1761199-3 |
|          | .630  | 1.050 | .450  | .660  | .850  | 1.100 | 4          | E          | 5-1761199-1 |
|          | .630  | 1.050 | .450  | .660  | .850  | 1.100 | 4          | D          | 4-1761199-1 |
| OBSOLETE | .630  | 1.050 | .450  | .660  | .850  | 1.100 | 4          | C          | 3-1761199-1 |
| OBSOLETE | .630  | 1.050 | .450  | .660  | .850  | 1.100 | 4          | B          | 2-1761199-1 |
|          | 1.230 | 1.650 | 1.050 | 1.260 | 1.450 | 1.700 | 16         | A          | 1-1761199-6 |
|          | .830  | 1.250 | .650  | .860  | 1.050 | 1.300 | 8          | A          | 1-1761199-3 |
|          | .730  | 1.150 | .550  | .760  | .950  | 1.200 | 6          | A          | 1-1761199-2 |
|          | .630  | 1.050 | .450  | .660  | .850  | 1.100 | 4          | A          | 1-1761199-1 |
|          | F     | E     | D     | C     | B     | A     | NO OF POSN | KEY LETTER | PART NO     |

THIS DRAWING IS A CONTROLLED DOCUMENT. DIMENSIONING AND TOLERANCING PER ASME Y14.5M-2009.

|                    |                                        |                         |                                      |
|--------------------|----------------------------------------|-------------------------|--------------------------------------|
| DIMENSIONS: INCHES | TOLERANCES UNLESS OTHERWISE SPECIFIED: | DIN B MCMASITER 30APR04 | STE TE Connectivity                  |
| 0 PLC ± -          | 1 PLC ± -                              | CIR C ROHDE 30APR04     | APVD M WALMSLEY 30APR04              |
| 2 PLC ± -          | 3 PLC ± .005                           | NAME                    | RECEPTACLE ASSEMBLY, SIDE ENTRY, SDL |
| 4 PLC ± -          | ANGLES ± -                             | PRODUCT SPEC            | 108-2047                             |
|                    |                                        | APPLICATION SPEC        | 114-2081                             |
| MATERIAL           | FINISH                                 | SIZE                    | CAGE CODE                            |
| 1                  | 3                                      | A1                      | 00779                                |
|                    |                                        | WEIGHT                  | DRAWING NO                           |
|                    |                                        |                         | 1761199                              |
|                    |                                        | CUSTOMER DRAWING        | SCALE 4:1                            |
|                    |                                        |                         | SHEET 1 OF 1                         |
|                    |                                        |                         | REV B                                |