

ENG. NO.

EDP NO.

SIMILAR ITEM

PROJECT NO.

DO NOT SCALE DRAWING

F

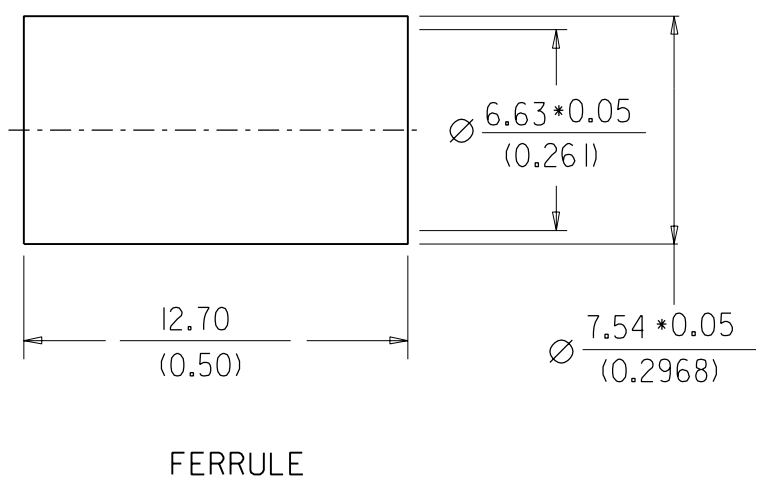
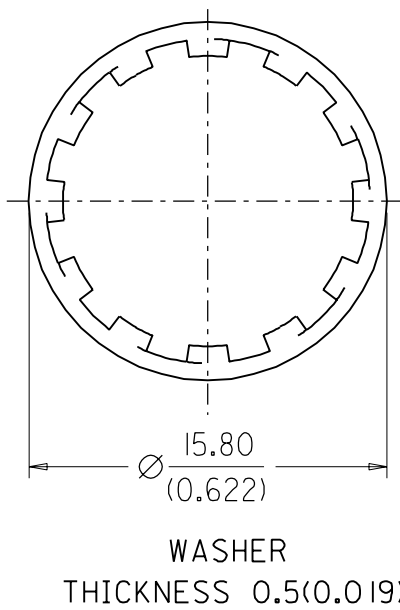
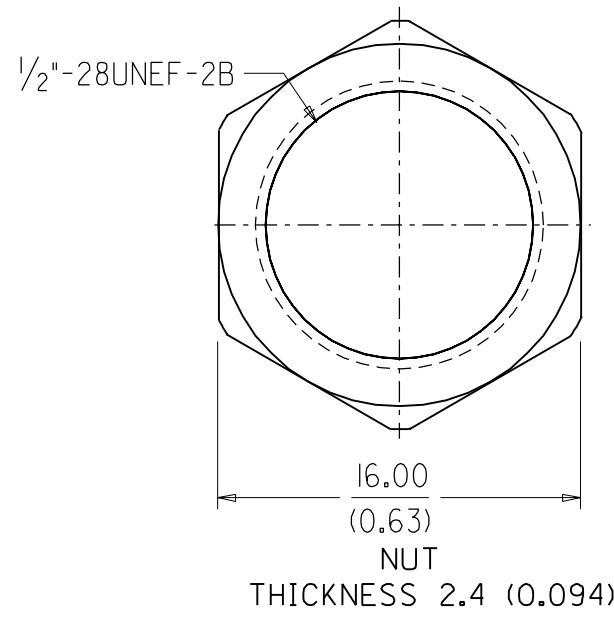
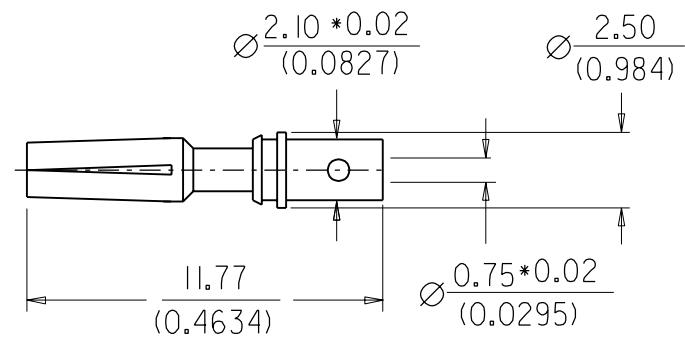
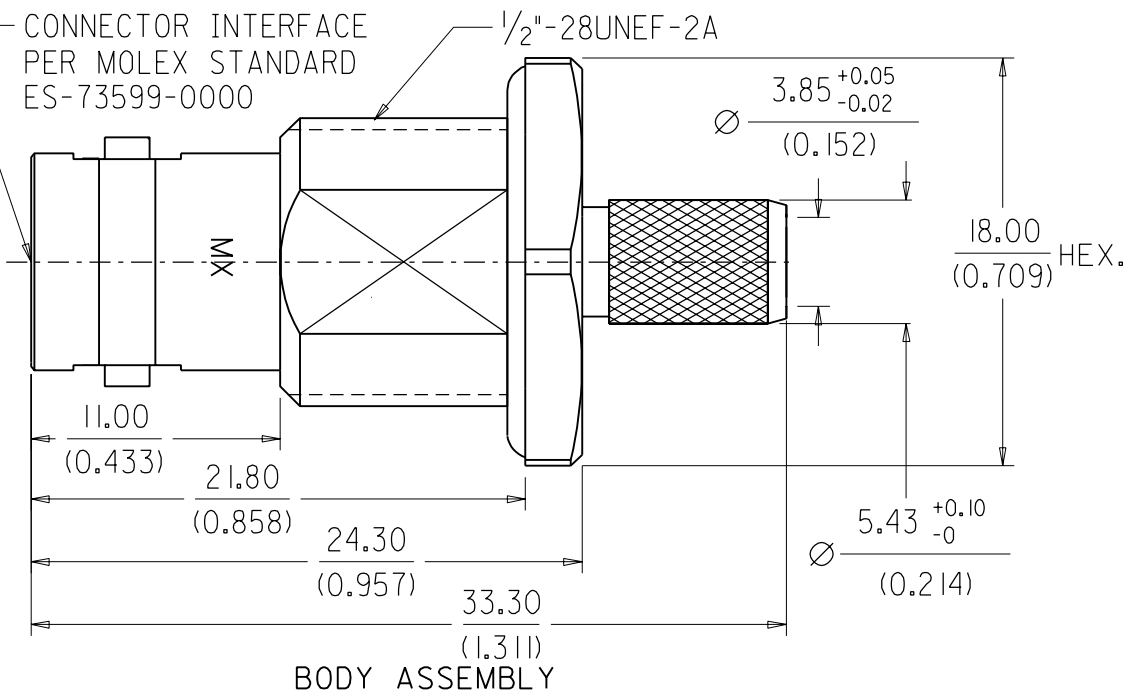
E

D

C

B

A



CABLE ATTACHMENT:
 INNER CONTACT-----CRIMP (1.69 HEX.)
 OR SOLDER
 OUTER CONDUCTOR-----CRIMP (6.48 HEX.)
 ASSEMBLY INSTRUCTION--AS-73597-0039 Δ

FINISH :
 CONNECTOR BODY-----NICKEL PLATING
 CENTER CONTACT-----GOLD PLATING
 FERRULE -----NICKEL PLATING
 NUT-----NICKEL PLATING
 WASHER-----NICKEL PLATING

CONSTRUCTION:
 CONNECTOR BODY-----BRASS
 DIELECTRIC-----TEFLON
 CENTER CONTACT-----PHOSPHOR BRONZE
 FERRULE -----BRASS
 NUT-----BRASS
 WASHER-----PHOSPHOR BRONZE

MECHANICAL & ELECTRICAL CHARACTERISTICS:
 PER PRODUCT SPECIFICATION PS-73598-0001

MATERIAL & FINISH CHARACTERISTICS:
 PER PRODUCT SPECIFICATION PS-73598-0001

PACKAGING:
 INDIVIDUAL PLASTIC BAGS

		MATERIAL : SEE NOTE		MOLEX TAIWAN LTD. (R.F. DIVISION)
		FINISH : SEE NOTE		
		SCALE : 4:1	UNIT : mm/(inch)	GENERAL TOLERANCES ANGLE : ± 3° DIM. ± 0.25
		DRAWN BY : <i>Moxi</i> 1993/03/22		DRW. NO.: SDA-73100-0002 REV B
		CHK'D BY :		TITLE : 75 OHMS BNC JACK STRAIGHT BULKHEAD RG59B/U,62A/U CRIMP/CRIMP
		APPR'D BY : <i>[Signature]</i> 1993/03/22		
B	AS-73597-0031	AS-73597-0039	0232	KELLY
LTR	REVISION RECORD	DR	CHK	DATE
STANDARD ITEM		<input checked="" type="checkbox"/> YES	<input type="checkbox"/> NO	SHEET OF

MATERIAL AND FINISHES:

BODY: BRASS
 PALTED NICKEL

INSULATOR: TEFLON

CENTER CONTACT: PHOSPHOR BRONZE
 PLATED GOLD

CRIMP TUBE: BRASS
 PLATED NICKEL

JAM NUT: BRASS
 PLATED NICKEL

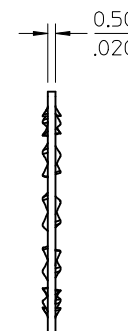
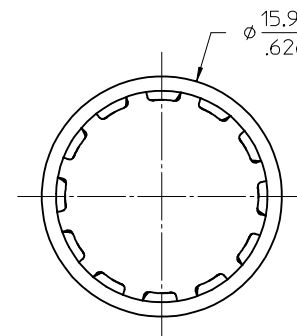
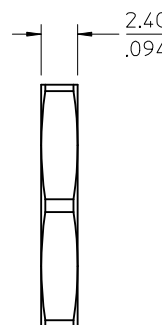
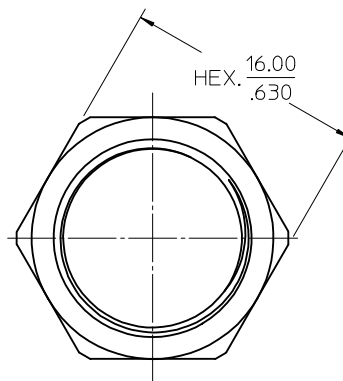
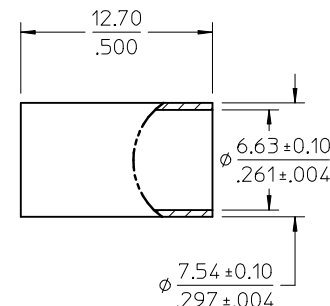
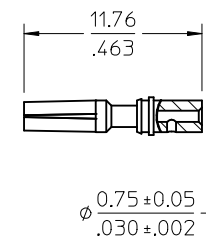
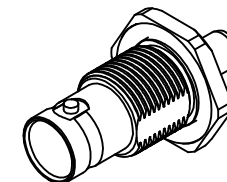
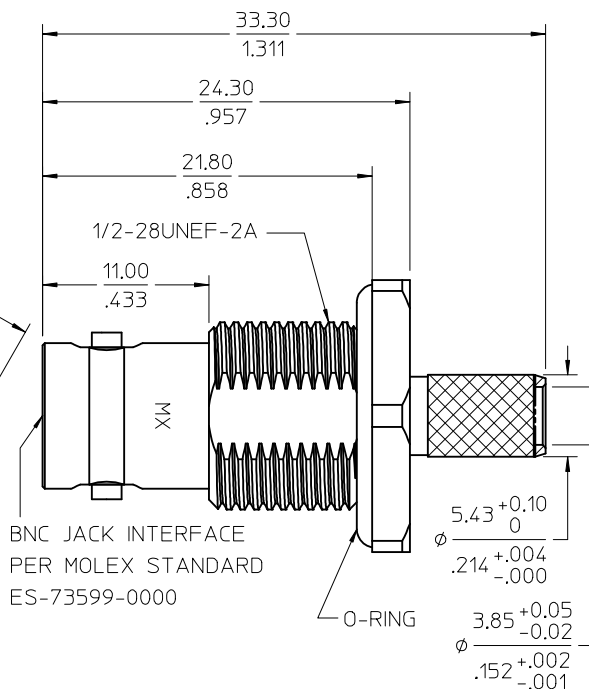
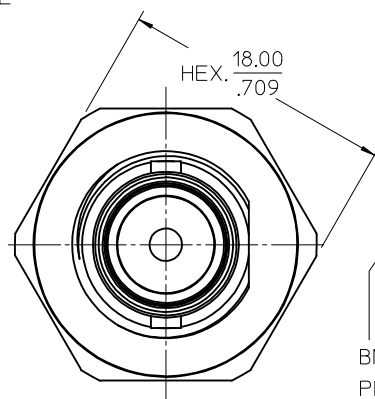
LOCK WASHER: PHOSPHOR BRONZE
 PLATED NICKEL

O-RING: SILICONE RUBBER

PACKAGING: INDIVIDUAL PLASTIC BAGS

CABLE ATTACHMENT:

INNER CONTACT: CRIMP (1.69 HEX.) OR SOLDER
 OUTER CONDUCTOR: CRIMP (6.48 HEX.)
 ASSEMBLY INSTRUCTION: AS-73597-0039



PS-73598-0001	MECHANICAL & ELECTRICAL
SPECIFICATION	DESCRIPTION

CHG: REDRAWN EC NO: URF2017-0362 DRWN: CWE102 2017/04/26 CHKD: APPR: YCHENG 2017/05/09	QUALITY SYMBOLS	GENERAL TOLERANCES (UNLESS SPECIFIED)	DIMENSION STYLE	SCALE	DESIGN UNITS	THIRD ANGLE PROJECTION
	▽=0	mm INCH	MM/IN	METRIC		
	▽=0	4 PLACES ± --- ± ---	DRAWN BY DATE	TITLE	BNC JACK STR 750HMS BULKHEAD RG59B/U, 62A/U	
	▽=0	3 PLACES ± --- ± ---	CHECKED BY DATE		molex	
		2 PLACES ± --- ± ---	APPROVED BY DATE		DOCUMENT NO.	SHEET NO.
		1 PLACE ± --- ± ---	YCHENG 2017/05/09		731000002	SD-73100-0002
		0 PLACE ± --- ± ---				1 OF 1
		ANGULAR ± 2 °			THIS DRAWING CONTAINS INFORMATION THAT IS PROPRIETARY TO MOLEX INCORPORATED AND SHOULD NOT BE USED WITHOUT WRITTEN PERMISSION	
		DRAFT WHERE APPLICABLE MUST REMAIN WITHIN DIMENSIONS				