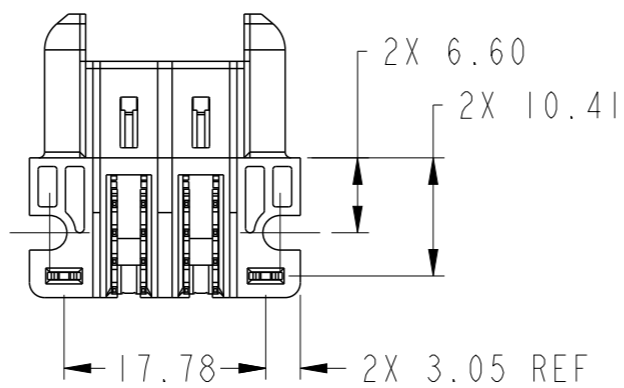
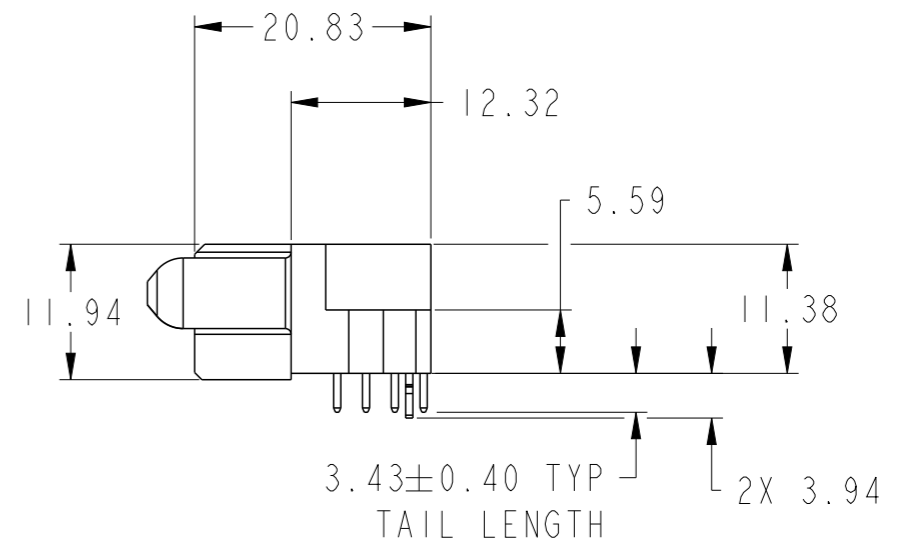
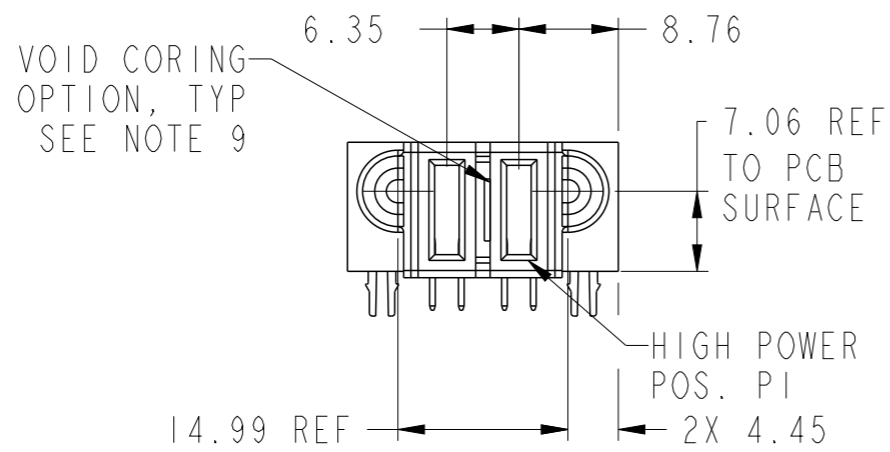
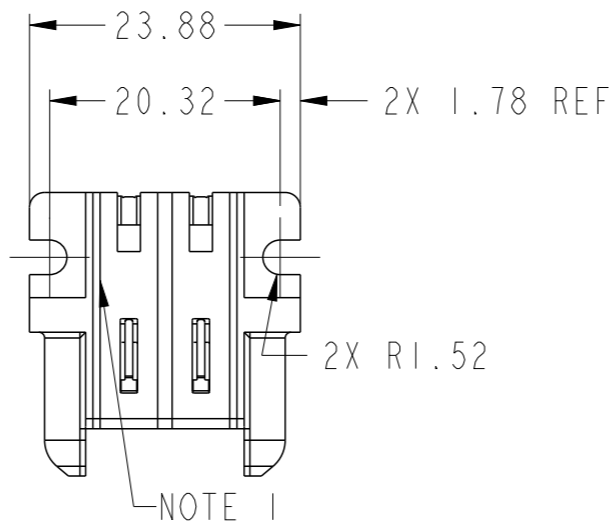


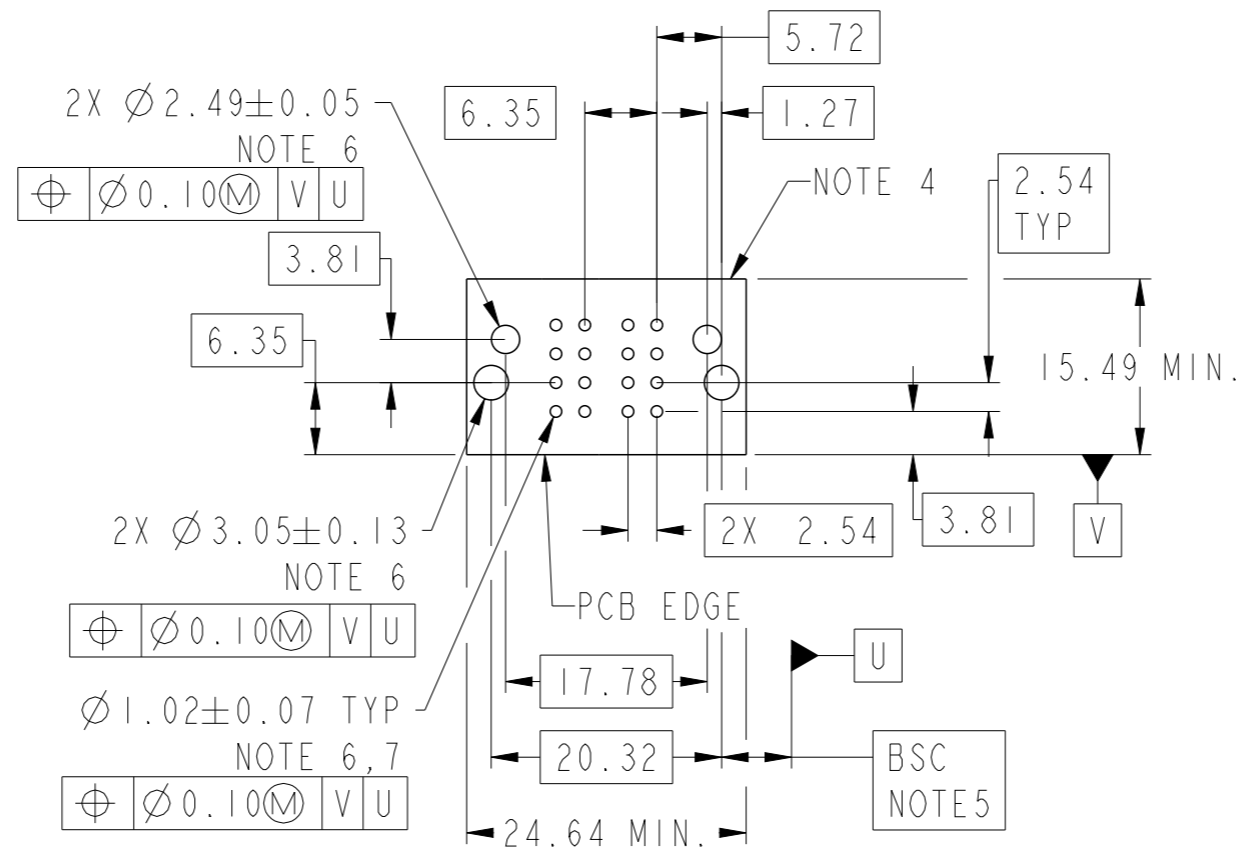
PRODUCT NUMBER SEE SHEET 2



spec ref	dr	Sunny2 Liu	2017/03/14	projection	MM	size	A3	scale	3:2
tolerance std	eng	Sunny2 Liu	2017/08/18			ecn no	-	rel level	Released
ISO 406 ISO 1101	chr	Kaka Zhang	2017/08/18						
TOLERANCES UNLESS OTHERWISE SPECIFIED  surface	linear angular	0.X	±0.5	product family PwrBlade+	Amphenol <b>FCi</b>	cat. no. 2HP RA STB RECEPTACLE	dwg no 10106126-2000001	rev A	ISO 1302
		0.XX	±0.25						
		0.XXX	±0.10						
ISO 1302	0°	±2°		Product - Customer Drw	sheet 1 of 3				

PRODUCT NO.	ROWS	HP			
		E1	P2	P1	E2
10106126-2000001LF	DCBA		H3	H3	

CODE	DESCRIPTION
H3	STD HIGH POWER CONTACT(3.43)
HA	METAL HOLD DOWN



2X  $\varnothing 2.49 \pm 0.05$   
NOTE 6  
 $\varnothing 0.10 \text{ (M)}$  V U

2X  $\varnothing 3.05 \pm 0.13$   
NOTE 6  
 $\varnothing 0.10 \text{ (M)}$  V U

$\varnothing 1.02 \pm 0.07$  TYP  
NOTE 6, 7  
 $\varnothing 0.10 \text{ (M)}$  V U

Amphenol FCI

© 2016 AFCI

spec ref	dr	Sunny2 Liu	2017/03/14	projection	MM	size	A3	scale	3:2
tolerance std	eng	Sunny2 Liu	2017/08/18		← →	ecn no	-	rel level	Released
ISO 406 ISO 1101	chr	Kaka Zhang	2017/08/18						
surface	linear	0.X	$\pm 0.5$	product family	PwrBlade+	dwg no	10106126-2000001	rev	A
		0.XX	$\pm 0.25$						
ISO 1302	angular	0°	$\pm 2^\circ$	Amphenol FCI	2HP				
					RA STB RECEPTACLE				
				cat. no.		Product - Customer Drw		sheet 2 of 3	

NOTES:

- 1) PRODUCT MARK:  
PART NUMBER AND DATE CODE TO BE MARKED ON THIS SURFACE .  
THE MARK CAN BE OMITTED IF THERE IS NOT ENOUGH SPACE ON THIS SURFACE.
- 2) MATERIALS:  
-HOUSING : HIGH TEMP THERMOPLASTIC WITH GLASS FIBER, UL94V-0, BLACK.  
-POWER CONTACT : HIGH CONDUCTIVITY COPPER ALLOY.  
-SIGNAL CONTACT : COPPER ALLOY.
- 3) PLATING SPECIFICATION : 10116351
- 4) DENOTES CONNECTOR KEEP OUT ZONE.
- 5) DATUM AND BASIC DIMENIONS ARE ESTABLISHED BY CUSTOMER.
- 6) ALL HOLE DIAMETERS ARE FINISHED HOLE SIZES.
- 7) 1.15+/-0.025MM DRILLED HOLE PLATED WITH 0.00762MM MIN SN  
OVER 0.0254-0.0762MM CU PLATING TO ACHIEVE A 1.02+/-0.07MM HOLE.
- 8) THE HOUSING WILL WITHSTAND EXPOSURE TO 265 °C PEAK TEMPERATURE  
FOR 10 SECONDS IN A WAVE SOLDER APPLICATION.
- 9) THE VOID CORING IN BETWEEN POWER MODULES, SIGNAL MODULES AND  
END MODULES ARE OPTIONAL AND THE SHAPE MAY BE DIFFERENT FOR  
OPTIMIZE THE MOLDING PROCESS. THE VOID CORING WILL NOT EFFECT  
TO PRODUCT FUNCTION.
- 10) THIS PRODUCT MEETS EUROPEAN UNION DIRECTIVES AND OTHER COUNTRY  
REGULATIONS AS DESCRIBED IN GS-47-0004.
- 11) PRODUCT SPECIFICATION : GS-12-658.  
APPLICATION SPECIFICATION : GS-20-141.  
PRODUCT PACKAGE SPECIFICATION: GS-14-1502.

Amphenol  
FCi

© 2016 AFCI

spec ref		dr	Sunny2 Liu	2017/03/14	projection 	MM ←→	size	A3	scale	3:2
tolerance std		eng	Sunny2 Liu	2017/08/18			ecn no	-		
ISO 406 ISO 1101		chr	Kaka Zhang	2017/08/18			rel level	Released		
TOLERANCES UNLESS OTHERWISE SPECIFIED		appr	Pei-Ming Zheng	2017/08/18	product family	PwrBlade+				
surface	linear	0.X	±0.5	Amphenol FCi	2HP	dwg no	10106126-2000001	rev	A	cat. no.
		0.XX	±0.25							
		0.XXX	±0.10							
ISO 1302	angular	0°	±2°	Product - Customer Drw		sheet 3 of 3				