

## Peak Emission Wavelength: 630nm

The 630nm red LED Series is designed for applications requiring high accuracy and precision. Custom package solutions and sorting are available.

### FEATURES

- > High Reliability
- > High Output Power
- > Narrow Radiation Pattern

### APPLICATIONS

- > Optical Sensing
- > Optical Instruments
- > Linear & Rotary Encoder
- > Machine Vision / CCD



## Absolute Maximum Ratings (Ta=25°C)

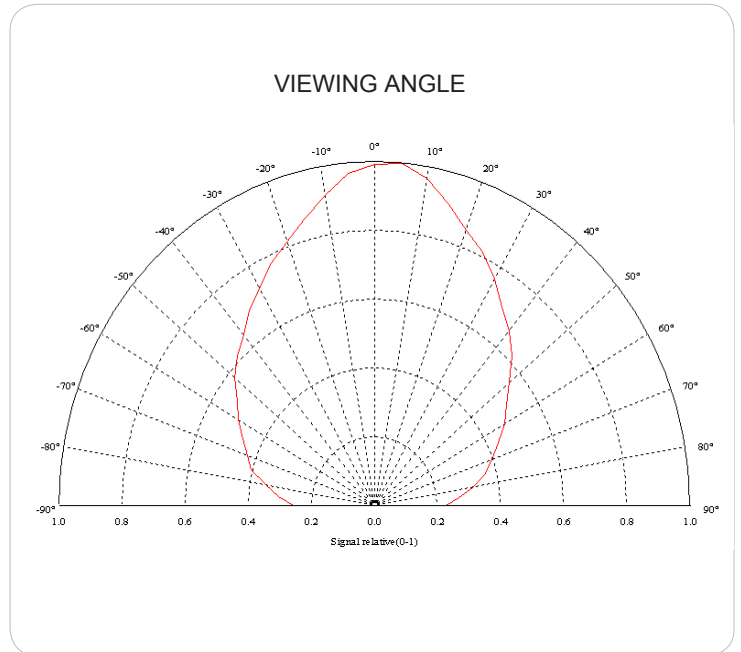
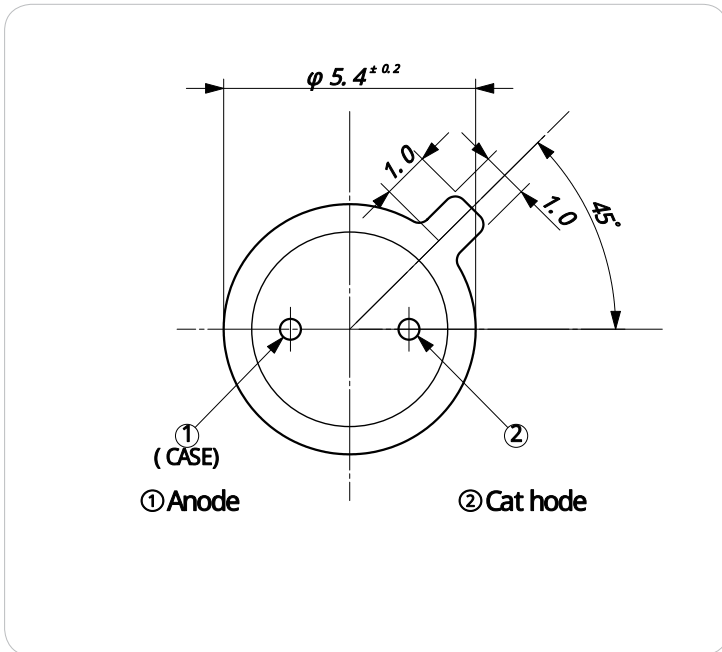
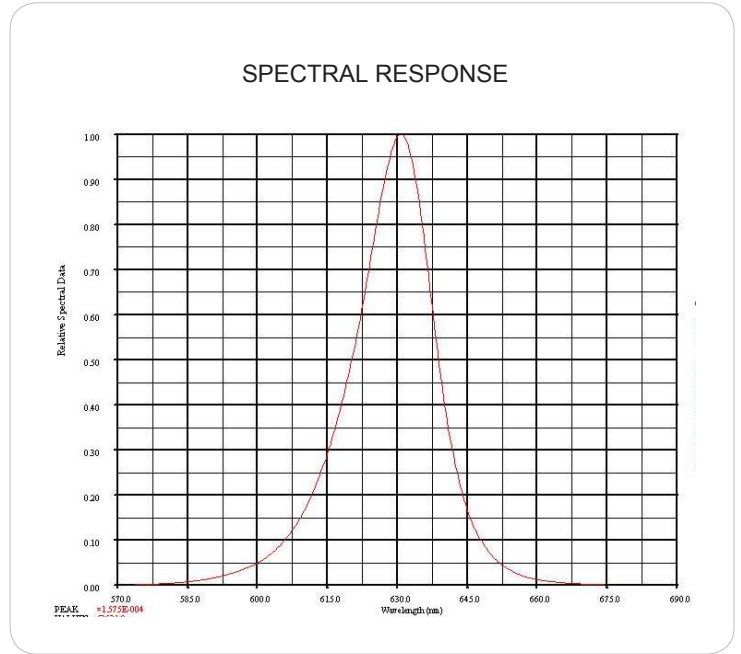
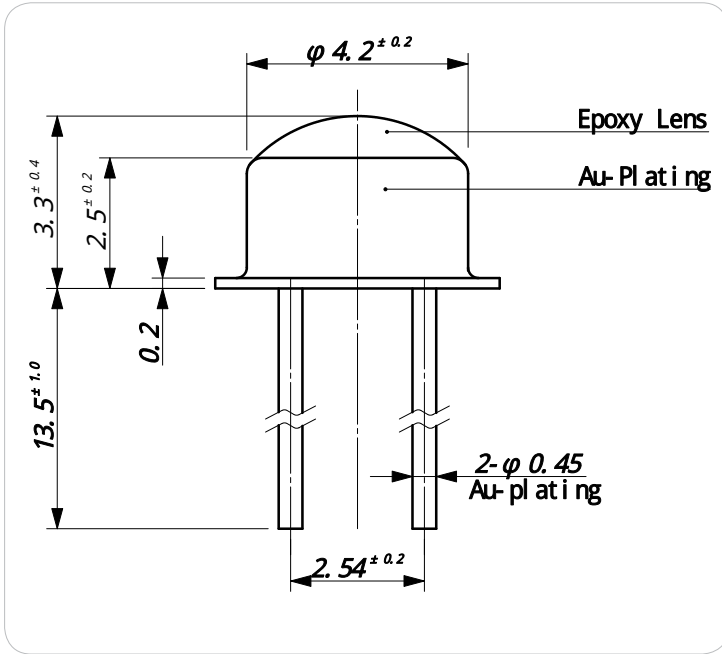


ITEMS	SYMBOL	RATINGS	UNIT
Forward Current (DC)	IF	50	mA
Forward Current (Pulse)*1	IFP	0.5	A
Reverse Voltage	VR	5	V
Power Dissipation	PD	125	mW
Operating Temperature Range	Topr	-20 ~ +85	°C
Storage Temperature Range	Tstg	-30 ~ +100	°C
Junction Temperature	Tj	100	°C
Lead Soldering Temperature*2	Tls	260	°C

\*1: Tw=10μsec, T=10msec; \*2: Time 5 Sec max, Position: Up to 3mm from the body.

## Electrical & Optical Characteristics (Ta = 25°C)

ITEMS	SYMBOL	CONDITIONS	MIN	TYP	MAX	UNIT
Power Output	PO	IF=50mA	--	27.5	--	mW
Forward Voltage	VF	IF=50mA	--	2.20	--	V
Reverse Current	IR	VR=5V	--	--	100	μA
Peak Emission Wavelength	λp	IF=50mA	--	630	--	nm
Spectral Line Half Width	Δλ	IF=50mA	--	19	--	nm
Half Intensity Beam Angle	Θ	IF=50mA	--	±55	--	deg
Rise Time	Tr	IFP=50mA	--	--	--	nS
Fall Time	Tf	IFP=50mA	--	--	--	nS



Unit: mm, Tolerance:  $\pm 0.2$

2019-01-04

