



**CMOS Z8 16K/32K EPROM MCUs**

**Z86E61/Z86E63  
Microcontrollers**

**Product Specification**

PS014404-0212



**Warning:** DO NOT USE THIS PRODUCT IN LIFE SUPPORT SYSTEMS.

---

## **LIFE SUPPORT POLICY**

ZILOG'S PRODUCTS ARE NOT AUTHORIZED FOR USE AS CRITICAL COMPONENTS IN LIFE SUPPORT DEVICES OR SYSTEMS WITHOUT THE EXPRESS PRIOR WRITTEN APPROVAL OF THE PRESIDENT AND GENERAL COUNSEL OF ZILOG CORPORATION.

### **As used herein**

Life support devices or systems are devices which (a) are intended for surgical implant into the body, or (b) support or sustain life and whose failure to perform when properly used in accordance with instructions for use provided in the labeling can be reasonably expected to result in a significant injury to the user. A critical component is any component in a life support device or system whose failure to perform can be reasonably expected to cause the failure of the life support device or system or to affect its safety or effectiveness.

### **Document Disclaimer**

©2012 Zilog, Inc. All rights reserved. Information in this publication concerning the devices, applications, or technology described is intended to suggest possible uses and may be superseded. Zilog, INC. DOES NOT ASSUME LIABILITY FOR OR PROVIDE A REPRESENTATION OF ACCURACY OF THE INFORMATION, DEVICES, OR TECHNOLOGY DESCRIBED IN THIS DOCUMENT. Zilog ALSO DOES NOT ASSUME LIABILITY FOR INTELLECTUAL PROPERTY INFRINGEMENT RELATED IN ANY MANNER TO USE OF INFORMATION, DEVICES, OR TECHNOLOGY DESCRIBED HEREIN OR OTHERWISE. The information contained within this document has been verified according to the general principles of electrical and mechanical engineering.

Z8 is a registered trademark of Zilog, Inc. All other product or service names are the property of their respective owners.

# Revision History

Each instance in the following revision history table reflects a change to this document from its previous version. For more details, refer to the corresponding pages or appropriate links provided in the table.

| <b>Date</b> | <b>Revision Level</b> | <b>Description</b>   | <b>Page</b>                           |
|-------------|-----------------------|--|---------------------------------------|
| Feb 2012    | 04                    | Globally updated for style and content.  | All                                   |
| Oct 2008    | 03                    | Updated pin descriptions.  | <a href="#">11</a>                    |
| May 2008    | 02                    | Added LQFP pin diagram (Standard and Programming modes); replaced 44-pin QFP with 44-pin LQFP for CR #10886. | <a href="#">7</a> , <a href="#">8</a> |
| Nov 2001    | 01                    | Original issue.  | All                                   |

# Table of Contents

|  |      |
|--|------|
| Revision History .....                                 | iii  |
| List of Figures .....                                  | vi   |
| List of Tables .....                                   | viii |
| Overview .....   | 1    |
| Features .....   | 1    |
| Pin Functions .....                                    | 4    |
| Pin Signals .....                                      | 4    |
| Pin Descriptions .....                                 | 11   |
| Address Space .....                                    | 18   |
| Program Memory .....                                   | 18   |
| Data Memory .....                                      | 19   |
| Register File .....                                    | 20   |
| Stack .....  | 21   |
| Functional Description .....                           | 22   |
| Counter/Timers .....                                   | 22   |
| Interrupts .....                                       | 23   |
| Clock .....  | 24   |
| Programming .....                                      | 26   |
| Z86E61/Z86E63 User Modes .....                         | 26   |
| Z86E63 Signal Description for EPROM Program/Read ..... | 30   |
| Absolute Maximum Ratings .....                         | 33   |
| Standard Test Conditions .....                         | 33   |
| DC Characteristics .....                               | 34   |
| Supply Current .....                                   | 35   |
| Standby Current .....                                  | 36   |
| AC Characteristics .....                               | 37   |
| Control Registers .....                                | 43   |
| Z8 Instruction Set .....                               | 51   |
| Instruction Formats .....                              | 54   |
| Instruction Summary .....                              | 55   |
| Op Code Map .....                                      | 59   |
| Packaging .....  | 60   |
| Ordering Information .....                             | 60   |
| Part Number Suffix Designations .....                  | 61   |



Customer Support ..... 62

# List of Figures

|  |    |
|--|----|
| Figure 1. Z86E61/Z86E63 MCU Functional Block Diagram . . . . .             | 3  |
| Figure 2. Z86E61/Z86E63 PDIP Pin Diagram, Standard Mode . . . . .          | 4  |
| Figure 3. Z86E61/Z86E63 PDIP Pin Diagram, EPROM Programming Mode . . . . . | 6  |
| Figure 4. Z86E61/Z86E63 LQFP Pin Diagram, Standard Mode . . . . .          | 7  |
| Figure 5. Z86E61/Z86E63 LQFP Pin Diagram, EPROM Programming Mode . . . . . | 8  |
| Figure 6. Z86E61/Z86E63 PLCC Pin Diagram, Standard Mode . . . . .          | 9  |
| Figure 7. Z86E61/Z86E63 PLCC Pin Diagram, EPROM Programming Mode . . . . . | 10 |
| Figure 8. Port 0 Configuration . . . . .                                   | 13 |
| Figure 9. Port 1 Configuration . . . . .                                   | 14 |
| Figure 10. Port 2 Configuration . . . . .                                  | 15 |
| Figure 11. Port 3 Configuration . . . . .                                  | 16 |
| Figure 12. Serial Data Formats . . . . .                                   | 17 |
| Figure 13. Program Memory Configuration . . . . .                          | 18 |
| Figure 14. Data Memory Configuration . . . . .                             | 19 |
| Figure 15. Register File . . . . .   | 20 |
| Figure 16. Register Pointer . . . . .                                      | 21 |
| Figure 17. Counter/Timers Block Diagram . . . . .                          | 22 |
| Figure 18. Interrupt Block Diagram . . . . .                               | 24 |
| Figure 19. Oscillator Configuration . . . . .                              | 25 |
| Figure 20. EPROM Read Timing . . . . .                                     | 28 |
| Figure 21. EPROM Program and Verify Timing . . . . .                       | 29 |
| Figure 22. Programming EPROM and RAM Protect . . . . .                     | 30 |
| Figure 23. Intelligent Programming Flowchart . . . . .                     | 32 |
| Figure 24. Test Load Diagram . . . . .                                     | 33 |
| Figure 25. Typical $I_{CC}$ vs. Frequency . . . . .                        | 35 |
| Figure 26. Typical $I_{CC1}$ vs. Frequency . . . . .                       | 36 |
| Figure 27. External I/O or Memory Read/Write Timing . . . . .              | 37 |
| Figure 28. Input Handshake Timing . . . . .                                | 39 |

|  |    |
|--|----|
| Figure 29. Output Handshake Timing . . . . .                       | 40 |
| Figure 30. Additional Timing . . . . .                             | 41 |
| Figure 31. Serial I/O Register (F0H: Read/Write) . . . . .         | 43 |
| Figure 32. Timer Mode Register (F1H: Read/Write) . . . . .         | 43 |
| Figure 33. Counter/Timer 1 Register (F2H: Read/Write) . . . . .    | 44 |
| Figure 34. Prescaler 1 Register (F3H: Write Only) . . . . .        | 44 |
| Figure 35. Counter/Timer 0 Register (F4H: Read/Write) . . . . .    | 44 |
| Figure 36. Prescaler 0 Register (F5H: Write Only) . . . . .        | 45 |
| Figure 37. Port 2 Mode Register (F6H: Write Only) . . . . .        | 45 |
| Figure 38. Port 3 Mode Register (F7H: Write Only) . . . . .        | 46 |
| Figure 39. Port 0 and 1 Mode Register (F8H: Write Only) . . . . .  | 47 |
| Figure 40. Interrupt Priority Register (F9H: Write Only) . . . . . | 48 |
| Figure 41. Interrupt Request Register (FAH: Read/Write) . . . . .  | 48 |
| Figure 42. Interrupt Mask Register (FBH: Read/Write) . . . . .     | 49 |
| Figure 43. Flag Register (FCH: Read/Write) . . . . .               | 49 |
| Figure 44. Register Pointer Register (FDH: Read/Write) . . . . .   | 49 |
| Figure 45. Stack Pointer Register (FEH: Read/Write) . . . . .      | 50 |
| Figure 46. Stack Pointer Register (FFH: Read/Write) . . . . .      | 50 |
| Figure 47. Instruction Formats . . . . .                           | 54 |
| Figure 48. Op Code Map . . . . .                                   | 59 |

# List of Tables

|   |    |
|---|----|
| Table 1. Power Connection Conventions . . . . .                               | 3  |
| Table 2. Z86E61/Z86E63 PDIP Pin Description, Standard Mode . . . . .          | 4  |
| Table 3. Z86E61/Z86E63 PDIP Pin Description, EPROM Programming Mode . . . . . | 6  |
| Table 4. Z86E61/Z86E63 LQFP Pin Description, Standard Mode . . . . .          | 7  |
| Table 5. Z86E61/Z86E63 LQFP Pin Description, EPROM Programming Mode . . . . . | 8  |
| Table 6. Z86E61/Z86E63 PLCC Pin Description, Standard Mode . . . . .          | 9  |
| Table 7. Z86E61/Z86E63 PLCC Pin Description, EPROM Programming Mode . . . . . | 10 |
| Table 8. Port 3 Pin Assignments* . . . . .                                    | 16 |
| Table 9. OTP Programming1 . . . . .   | 26 |
| Table 10. Timing of Programming Waveforms . . . . .                           | 26 |
| Table 11. Absolute Maximum Ratings . . . . .                                  | 33 |
| Table 12. Direct Current Characteristics . . . . .                            | 34 |
| Table 13. External I/O or Memory Read and Write Timing . . . . .              | 38 |
| Table 14. Clock-Dependent Formulas . . . . .                                  | 39 |
| Table 15. Handshake Timing . . . . .  | 40 |
| Table 16. Additional Timing . . . . .   | 41 |
| Table 17. Instruction Set Notation . . . . .                                  | 51 |
| Table 18. Instruction Set Symbols . . . . .                                   | 51 |
| Table 19. R252 Flags . . . . .  | 52 |
| Table 20. R252 Flags . . . . .  | 52 |
| Table 21. Condition Codes . . . . .   | 52 |
| Table 22. Instruction Summary . . . . .                                       | 55 |
| Table 23. Z86E61/Z86E63 MCU Ordering Matrix . . . . .                         | 60 |



# Overview

The Z86E61/Z86E63 microcontrollers are members of the Z8® single-chip microcontroller family with 16K/32KB of EPROM and 236 bytes of general-purpose RAM. Offered in 40-pin DIP, 44-pin PLCC or 44-pin LQFP package styles, these devices are pin-compatible EPROM versions of the Z86C61/ 63. The ROMless pin option is available on the 44-pin versions only.

With 16KB/32KB of ROM and 236 bytes of general-purpose RAM, the Z86E61/Z86E63 MCU offers fast execution, efficient use of memory, sophisticated interrupts, input/output bit manipulation capabilities, and easy hardware/software system expansion.

For applications demanding powerful I/O capabilities, the Z86E61/Z86E63 MCU offers 32 pins dedicated to input and output. These lines are grouped into four ports. Each port consists of eight lines, and is configurable under software control to provide timing, status signals, serial or parallel I/O with or without handshake, and an address/data bus for interfacing external memory.

The Z86E61/Z86E63 MCU can address both external memory and preprogrammed ROM, making it well suited for high-volume applications or where code flexibility is required. There are three basic address spaces available to support this configuration:

- Program memory
- Data memory
- 236 General-purpose registers

## Features

The Z86E61 and Z86E63 MCUs offer the following features:

- 8-Bit CMOS microcontroller
- 40-pin DIP, 44-pin PLCC and 44-pin LQFP packages
- 4.5V to 5.5V operating range
- Clock speeds: 16MHz and 20MHz
- Low power consumption: 275 mW (max)
- Two Standby modes: STOP and HALT
- 32 Input/Output lines
- Full-duplex UART
- All digital inputs are TTL levels

- Auto Latches
- High-voltage protection on high-voltage inputs
- RAM and EPROM Protect
- EPROM:
  - 16KB Z86E61
  - 32KB Z86E63
  
- 256-byte Register File:
  - 236 bytes of General-Purpose RAM
  - 16 bytes of Control and Status registers
  - 4 bytes for ports
  
- Two programmable 8-bit Counter/Timers, each with 6-bit programmable prescaler
- Six vectored priority interrupts from eight different sources
- On-chip oscillator that accepts a crystal ceramic resonator, LC or external clock drive

To unburden the system from coping with real-time tasks such as counting/timing and serial data communication, the Z86E61/Z86E63 MCU offers two on-chip counter/timers with a large number of user selectable modes. See the block diagram in Figure 1.

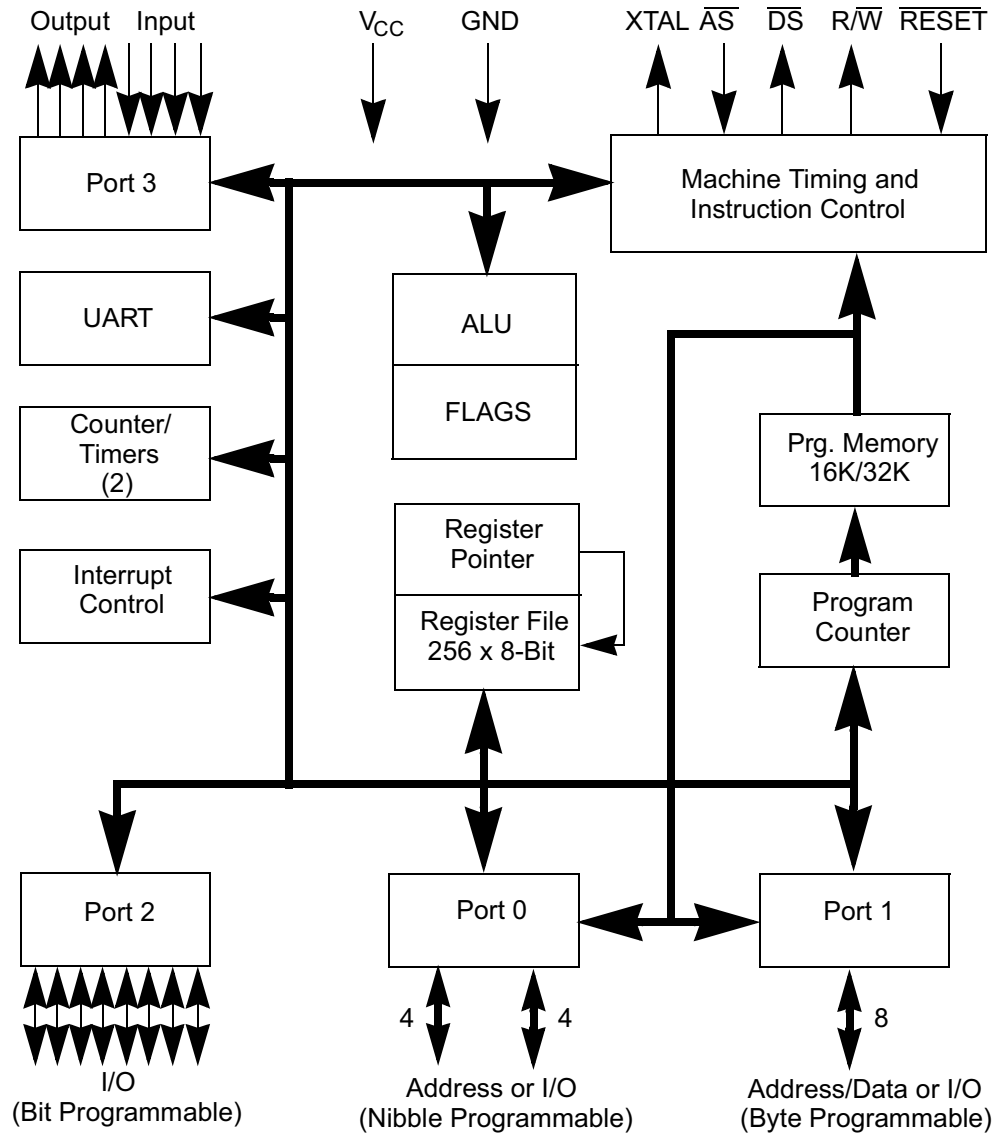


Figure 1. Z86E61/Z86E63 MCU Functional Block Diagram

Power connections follow the conventional descriptions listed in Table 24.

Table 24. Power Connection Conventions

| Connection | Circuit         | Device          |
|------------|-----------------|-----------------|
| Power      | V <sub>CC</sub> | V <sub>DD</sub> |
| Ground     | GND             | V <sub>SS</sub> |

# Pin Functions

The Z86E61/Z86E63 MCU is available in variety of package styles, programming modes and pin configurations. This section describes the pin signals and configurations for each of the 40-pin PDIP, 44-pin PLCC and 44-pin LQFP packages in both Standard and EPROM Programming modes.

## Pin Signals

Figure 2 shows the pin-outs for the 40-pin PDIP Standard Mode package; Table 25 describes each pin.

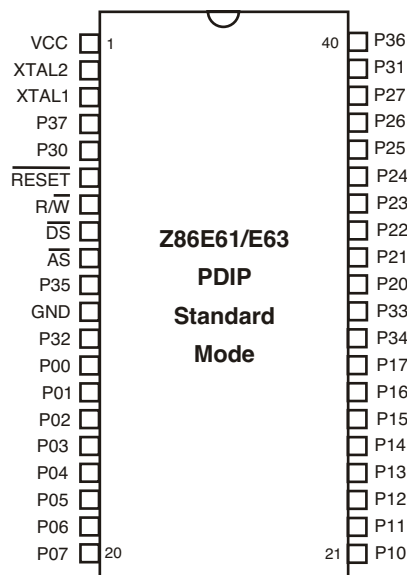


Figure 2. Z86E61/Z86E63 PDIP Pin Diagram, Standard Mode

Table 25. Z86E61/Z86E63 PDIP Pin Description, Standard Mode

| Pin Signal                | Description              | I/O    |
|---------------------------|--------------------------|--------|
| XTAL2                     | Crystal Oscillator Clock | Output |
| XTAL1                     | Crystal Oscillator Clock | Input  |
| $\overline{\text{RESET}}$ | Reset                    | Input  |
| $\overline{\text{R/W}}$   | Read/Write               | Output |

**Table 25. Z86E61/Z86E63 PDIP Pin Description, Standard Mode (Continued)**

| Pin Signal        | Description         | I/O          |
|-------------------|---------------------|--------------|
| $\overline{DS}$   | Data Strobe         | Output       |
| $\overline{AS}$   | Address Strobe      | Output       |
| P00–P07 Port 0    | 8-bit General I/O   | Input/Output |
| P10–P17 Port 1    | 8-bit General I/O   | Input/Output |
| P20–P27 Port 2    | 8-bit General I/O   | Input/Output |
| P30–P33 Port 3    | 4-bit Input         | Input        |
| P34–P37 Port 3    | 4-bit Output        | Output       |
| $R/\overline{RL}$ | ROM/ROMless Control | Input        |
| GND               | Ground              | Input        |
| $V_{CC}$          | Power Supply        | Input        |

Figure 3 shows the pin-outs for the 40-pin PDIP EPROM Programming Mode package; Table 26 describes each pin.

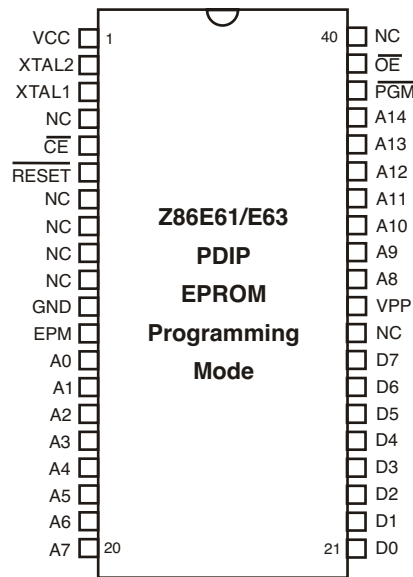


Figure 3. Z86E61/Z86E63 PDIP Pin Diagram, EPROM Programming Mode

Table 26. Z86E61/Z86E63 PDIP Pin Description, EPROM Programming Mode

| Pin Signal         | Description              | I/O          |
|--------------------|--------------------------|--------------|
| XTAL2              | Crystal Oscillator Clock | Output       |
| XTAL1              | Crystal Oscillator Clock | Input        |
| $\overline{CE}$    | Chip Enable              | Input        |
| $\overline{RESET}$ | Reset                    | Input        |
| EPM                | EPROM Programming Mode   | Input        |
| A0–A14             | 15-bit Address Bus       | Input        |
| D7–D0              | 8-bit Data Bus           | Input/Output |
| $V_{PP}$           | Programming Voltage      | Input        |
| $\overline{PGM}$   | Programming Mode         | Input        |
| $\overline{OE}$    | Output Enable            | Input        |
| NC                 | Not Connected            | Input        |
| GND                | Ground                   | Input        |
| $V_{CC}$           | Power Supply             | Input        |

Figure 4 shows the pin-outs for the 44-pin LQFP Standard Mode package; Table 27 describes each pin.

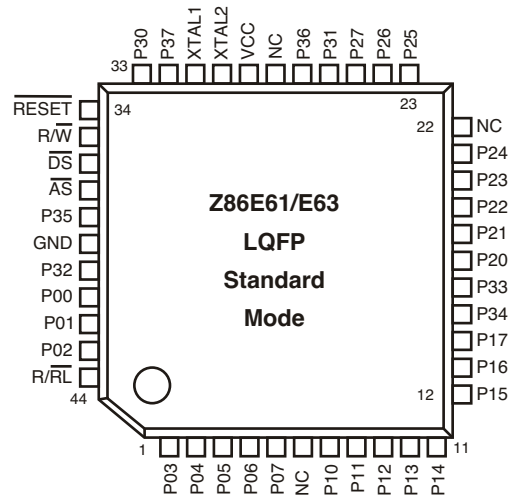


Figure 4. Z86E61/Z86E63 LQFP Pin Diagram, Standard Mode

Table 27. Z86E61/Z86E63 LQFP Pin Description, Standard Mode

| Pin Signal                | Description              | I/O          |
|---------------------------|--------------------------|--------------|
| XTAL2                     | Crystal Oscillator Clock | Output       |
| XTAL1                     | Crystal Oscillator Clock | Input        |
| $\overline{\text{RESET}}$ | Reset                    | Input        |
| $\overline{\text{R/W}}$   | Read/Write               | Output       |
| $\overline{\text{DS}}$    | Data Strobe              | Output       |
| $\overline{\text{AS}}$    | Address Strobe           | Output       |
| P00–P07 Port 0            | 8-bit General I/O        | Input/Output |
| P10–P17 Port 1            | 8-bit General I/O        | Input/Output |
| P20–P27 Port 2            | 8-bit General I/O        | Input/Output |
| P30–P33 Port 3            | 4-bit Input              | Input        |
| P34–P37 Port 3            | 4-bit Output             | Output       |
| $\overline{\text{R/RL}}$  | ROM/ROMless Control      | Input        |
| GND                       | Ground                   | Input        |
| $V_{\text{CC}}$           | Power Supply             | Input        |

Figure 5 shows the pin-outs for the 44-pin LQFP EPROM Programming Mode package; Table 28 describes each pin.

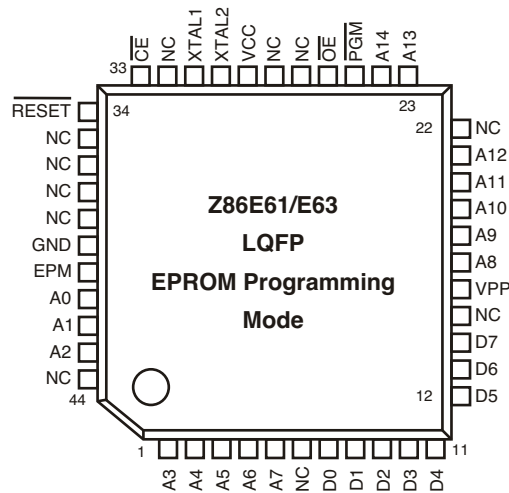


Figure 5. Z86E61/Z86E63 LQFP Pin Diagram, EPROM Programming Mode

Table 28. Z86E61/Z86E63 LQFP Pin Description, EPROM Programming Mode

| Pin Signal                | Description              | I/O          |
|---------------------------|--------------------------|--------------|
| XTAL2                     | Crystal Oscillator Clock | Output       |
| XTAL1                     | Crystal Oscillator Clock | Input        |
| $\overline{\text{CE}}$    | Chip Enable              | Input        |
| $\overline{\text{RESET}}$ | Reset                    | Input        |
| EPM                       | EPROM Programming Mode   | Input        |
| A0–A14                    | 15-bit Address Bus       | Input        |
| D7–D0                     | 8-bit Data Bus           | Input/Output |
| V <sub>PP</sub>           | Programming Voltage      | Input        |
| $\overline{\text{PGM}}$   | Programming Mode         | Input        |
| $\overline{\text{OE}}$    | Output Enable            | Input        |
| NC                        | Not Connected            | Input        |
| GND                       | Ground                   | Input        |
| V <sub>CC</sub>           | Power Supply             | Input        |



Figure 6 shows the pin-outs for the 44-pin PLCC Standard Mode package; Table 29 describes each pin.

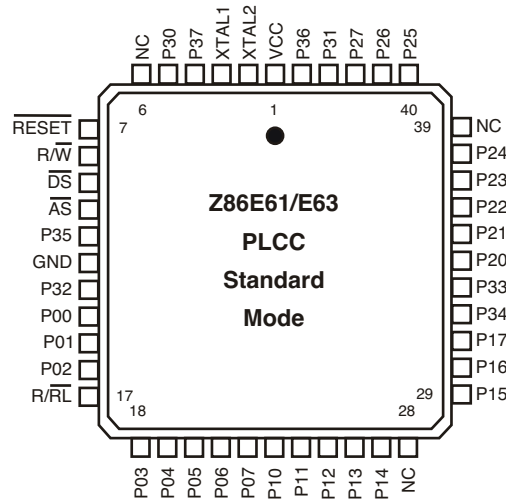


Figure 6. Z86E61/Z86E63 PLCC Pin Diagram, Standard Mode

Table 29. Z86E61/Z86E63 PLCC Pin Description, Standard Mode

| Pin Signal                | Description              | I/O          |
|---------------------------|--------------------------|--------------|
| XTAL2                     | Crystal Oscillator Clock | Output       |
| XTAL1                     | Crystal Oscillator Clock | Input        |
| $\overline{\text{RESET}}$ | Reset                    | Input        |
| $\overline{\text{R/W}}$   | Read/Write               | Output       |
| $\overline{\text{DS}}$    | Data Strobe              | Output       |
| $\overline{\text{AS}}$    | Address Strobe           | Output       |
| P00–P07 Port 0            | 8-bit General I/O        | Input/Output |
| P10–P17 Port 1            | 8-bit General I/O        | Input/Output |
| P20–P27 Port 2            | 8-bit General I/O        | Input/Output |
| P30–P33 Port 3            | 4-bit Input              | Input        |
| P34–P37 Port 3            | 4-bit Output             | Output       |
| $\overline{\text{R/RL}}$  | ROM/ROMless Control      | Input        |
| GND                       | Ground                   | Input        |
| V <sub>CC</sub>           | Power Supply             | Input        |

Figure 7 shows the pin-outs for the 44-pin PLCC EPROM Programming Mode package; Table 30 describes each pin.

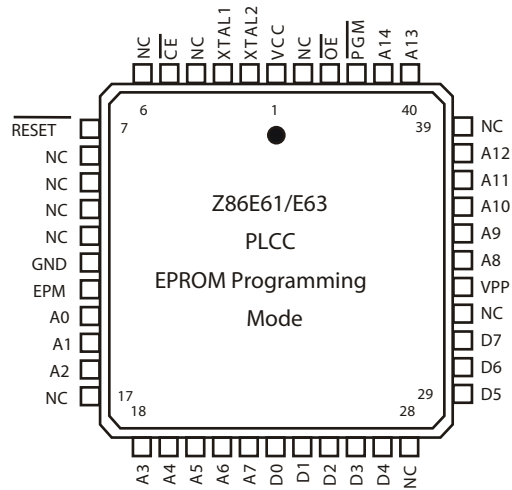


Figure 7. Z86E61/Z86E63 PLCC Pin Diagram, EPROM Programming Mode

Table 30. Z86E61/Z86E63 PLCC Pin Description, EPROM Programming Mode

| Pin Signal                | Description              | I/O          |
|---------------------------|--------------------------|--------------|
| XTAL2                     | Crystal Oscillator Clock | Output       |
| XTAL1                     | Crystal Oscillator Clock | Input        |
| $\overline{\text{CE}}$    | Chip Enable              | Input        |
| $\overline{\text{RESET}}$ | Reset                    | Input        |
| EPM                       | EPROM Programming Mode   | Input        |
| A0–A14                    | 15-bit Address Bus       | Input        |
| D7–D0                     | 8-bit Data Bus           | Input/Output |
| V <sub>PP</sub>           | Programming Voltage      | Input        |
| PGM                       | Programming Mode         | Input        |
| $\overline{\text{OE}}$    | Output Enable            | Input        |
| NC                        | Not Connected            | Input        |
| GND                       | Ground                   | Input        |
| V <sub>CC</sub>           | Power Supply             | Input        |

## Pin Descriptions

This section describes the major Z86E61/Z86E63 MCU pin signals and ports.

### ROMless (Input, Active Low)

Connecting this pin to GND disables the internal ROM and forces the device to function as a Z86C91 ROMless Z8 (see the Z86C91 product specification for more information). When pulled High to  $V_{CC}$ , the device functions as a normal Z86E61/Z86E63 EPROM version. This pin is only available on the 44-pin versions of the Z86E61/Z86E63 MCU.

### DS (Output, Active Low)

Data Strobe is activated once for each external memory transfer. For a READ operation, data must be available prior to the trailing edge of DS. For WRITE operations, the falling edge of DS indicates that output data is valid.

### AS (Output, Active Low)

Address Strobe is pulsed once at the beginning of each machine cycle. Address output is through Port 1 for all external programs. Memory address transfers are valid at the trailing edge of AS. Under program control, AS can be placed in the high-impedance state along with Ports 0 and 1, Data Strobe, and Read/Write.

### XTAL2, XTAL1

Crystal 2, Crystal 1 (time-based input and output, respectively). These pins connect a parallel-resonant crystal, ceramic resonator, LC, or any external single-phase clock to the on-chip oscillator and buffer.

### R/W (Output, Write Low)

The Read/Write signal is Low when the MCU is writing to the external program or data memory.

### RESET (Input, Active Low)

To avoid asynchronous and noisy reset problems, the Z86E61/Z86E63 MCU is equipped with a reset filter of four external clocks ( $4T_{pC}$ ). If the external RESET signal is less than  $4T_{pC}$  in duration, no reset occurs.

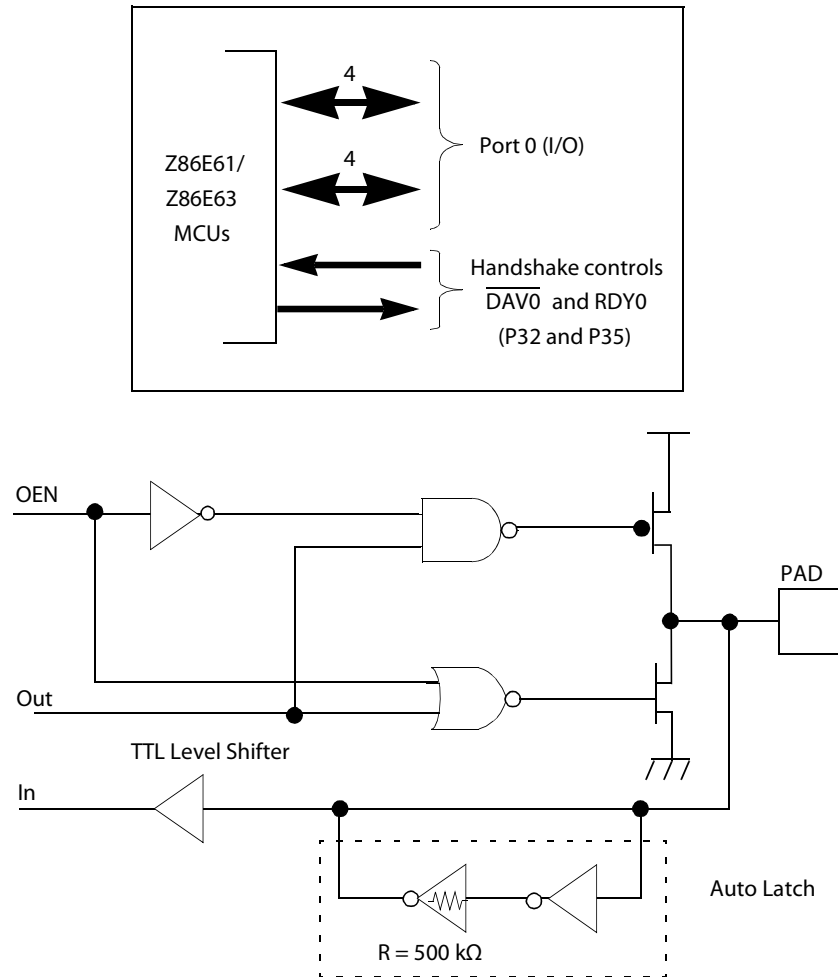
On the fifth clock after the RESET is detected, an internal RST signal is latched and held for an internal register count of 18 external clocks, or for the duration of the external RESET, whichever is longer. During the reset cycle, DS is held active Low while AS cycles at a rate of  $T_{pC}/2$ . When RESET is deactivated, program execution begins at location 000Ch. Power-up reset time must be held low for 50 ms, or until  $V_{CC}$  is stable, whichever is longer.

### Port 0 (P07–P00)

Port 0 is an 8-bit, nibble programmable, bidirectional, TTL compatible port. These eight I/O lines can be configured under software control as a nibble I/O port, or as an address port for interfacing external memory. When used as an I/O port, Port 0 may be placed under handshake control. In this configuration, Port 3, lines P32 and P35 are used as the handshake control DAV0 and RDY0 (Data Available and Ready). Handshake signal assignment is dictated by the I/O direction of the upper nibble P07–P04. The lower nibble must have the same direction as the upper nibble to be under handshake control.

For external memory references, Port 0 can provide address bits A11–A8 (lower nibble) or A15–A8 (lower and upper nibbles) depending on the required address space. If the address range requires 12 bits or less, the upper nibble of Port 0 can be programmed independently as I/O while the lower nibble is used for addressing. If one or both nibbles are needed for I/O operation, they must be configured by writing to the Port 0 Mode Register.

In ROMless Mode, after a hardware reset, the Port 0 lines are defined as address lines A15–A8, and extended timing is set to accommodate slow memory access. The initialization routine can include reconfiguration to eliminate this extended timing mode; see Figure 8.



**Figure 8. Port 0 Configuration**

**Port 1 (P17–P10)**

Port 1 is an 8-bit, byte programmable, bidirectional, TTL compatible port. It has multiplexed Address (A7–A0) and Data (D7–D0) ports. For the Z86E61/Z86E63 MCU, these eight I/O lines can be programmed as input or output lines or are configured under software control as an address/data port for interfacing external memory. When used as an I/O port, Port 1 can be placed under handshake control. In this configuration, Port 3 lines, P33 and P34, are used as the handshake controls RDY1 and DAV1.

Memory locations greater than 16384 (Z86E61) or 32768 (Z86E63) are referenced through Port 1. To interface external memory, Port 1 must be programmed for the multi-

plexed Address/ Data Mode. If more than 256 external locations are required, Port 0 must output the additional address lines.

Port 1 can be placed in high-impedance state along with Port 0, AS, DS, and R/W, allowing the MCU to share common resources in multiprocessor and DMA applications. Data transfers are controlled by assigning P33 as a Bus Acknowledge input, and P34 as a Bus Request output; see Figure 9.

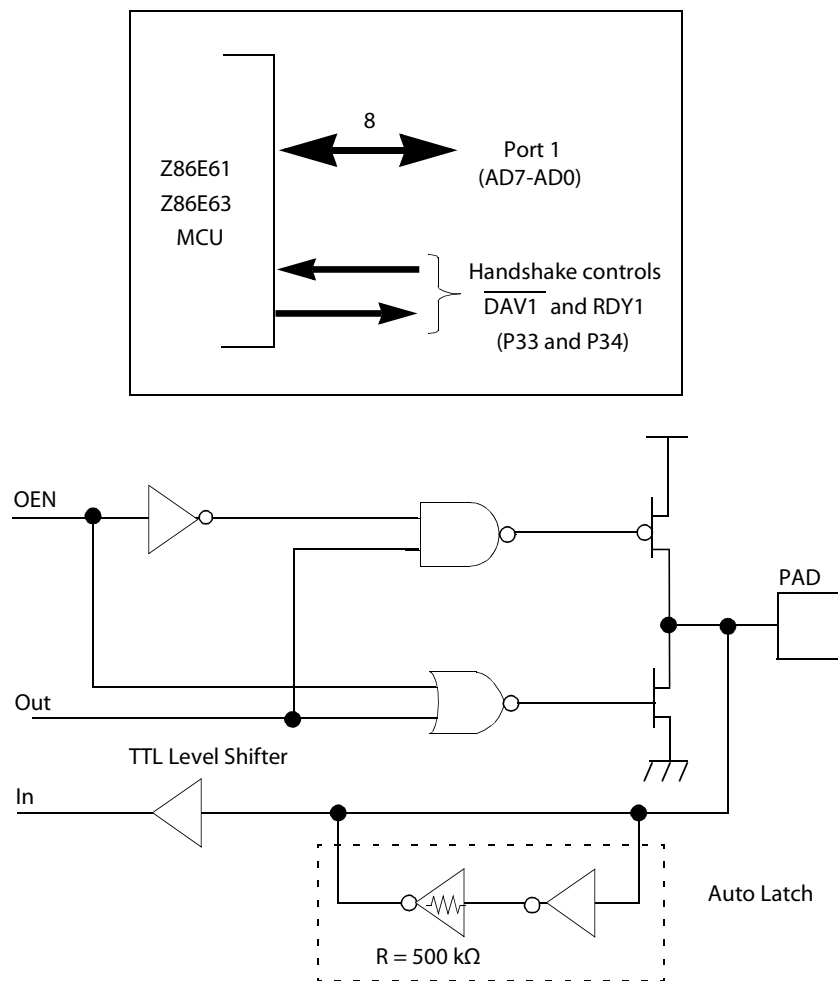


Figure 9. Port 1 Configuration

### Port 2 (P27–P20)

Port 2 is an 8-bit, bit programmable, bi-directional, CMOS compatible port. Each of these eight I/O lines can be independently programmed as an input or output, or globally as an

open-drain output. Port 2 is always available for I/O operation. When used as an I/O port, Port 2 can be placed under handshake control. In this configuration, Port 3 lines P31 and P36 are used as the handshake control lines DAV2 and RDY2. The handshake signal assignment for Port 3 lines, P31 and P36, is dictated by the direction (input or output) assigned to P27; see Figure 10 and [Table 31](#) on page 16).

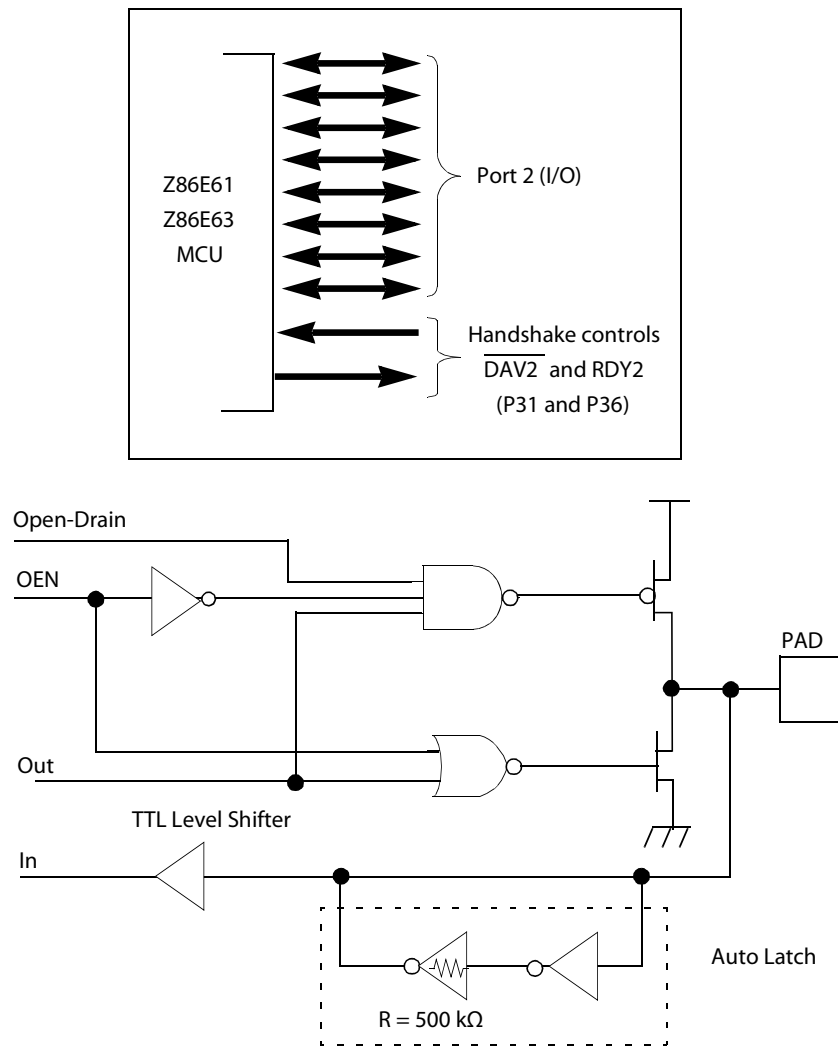


Figure 10. Port 2 Configuration

### Port 3 (P37–P30)

Port 3 is an 8-bit, CMOS compatible four-fixed input and four-fixed output port. These eight I/O lines have four-fixed (P33–P30) input and four-fixed (P37–P34) output ports. Port 3, when used as serial I/O, is programmed as serial in and serial out, respectively; see Figure 11.

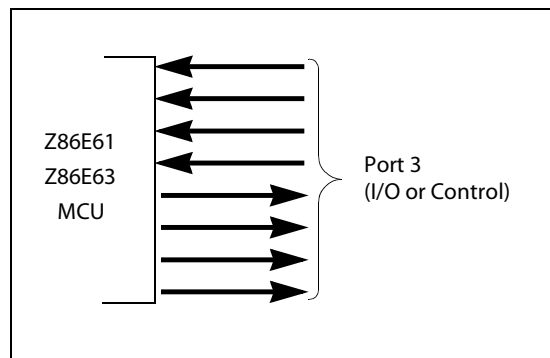


Figure 11. Port 3 Configuration

Port 3 is configured under software control to provide the following control functions: handshake for Ports 0 and 2 (DAV and RDY); four external interrupt request signals (IRQ3–IRQ0); timer input and output signals ( $T_{IN}$  and  $T_{OUT}$ ) Data Memory Select ( $\overline{DM}$ ) and EPROM control signals (P30 =  $\overline{CE}$ , P31 =  $\overline{OE}$ , P32 = EPM and P33 =  $V_{PP}$ ).

Table 31 lists the pin assignments for Port 3.

Table 31. Port 3 Pin Assignments\*

| Pin | I/O | CTCI      | Interrupt | P0 HS | P1 HS | P2 HS | UART       | Ext             | EPROM           |
|-----|-----|-----------|-----------|-------|-------|-------|------------|-----------------|-----------------|
| P30 | In  | $T_{IN}$  | IRQ3      |       |       |       | Serial In  |                 | $\overline{CE}$ |
| P31 | In  | $T_{IN}$  | IRQ2      |       |       | D/R   |            |                 | $\overline{OE}$ |
| P32 | In  | $T_{IN}$  | IRQ0      | D/R   |       |       |            |                 | EPM             |
| P33 | In  | $T_{IN}$  | IRQ1      |       | D/R   |       |            |                 | $V_{PP}$        |
| P34 | Out | $T_{OUT}$ |           |       | R/D   |       |            | $\overline{DM}$ |                 |
| P35 | Out | $T_{OUT}$ |           | R/D   |       |       |            |                 |                 |
| P36 | Out | $T_{OUT}$ |           |       |       | R/D   |            |                 |                 |
| P37 | Out | $T_{OUT}$ |           |       |       |       | Serial Out |                 |                 |
| T0  |     |           | IRQ4      |       |       |       |            |                 |                 |
| T1  |     |           | IRQ5      |       |       |       |            |                 |                 |

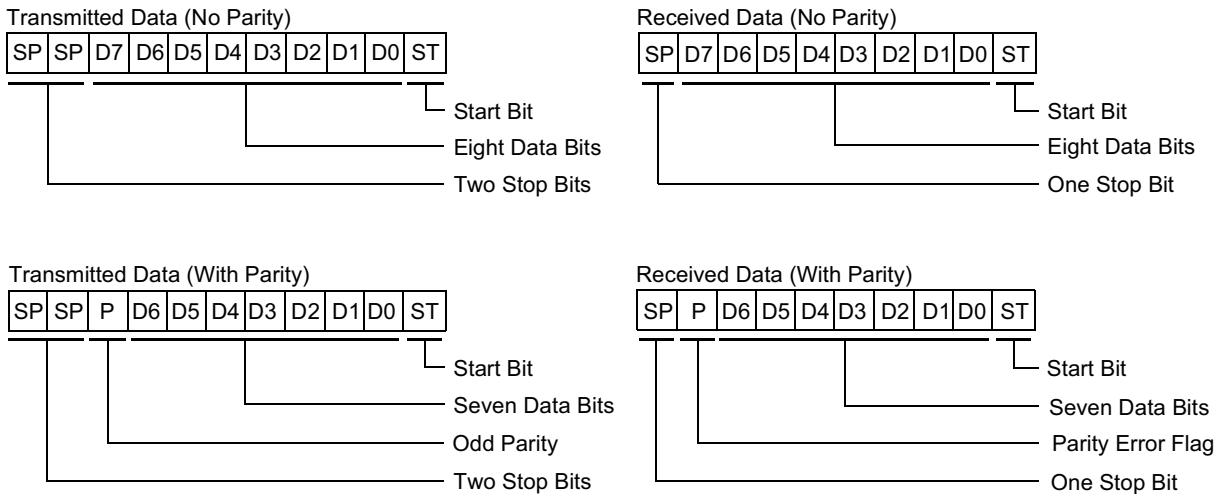
Note: \*HS = Handshake Signals; D = Data Available; R = Ready.



**UART Operation.** Port 3 lines, P37 and P30, are programmed as serial I/O lines for full-duplex serial asynchronous receiver/transmitter operation. The bit rate is controlled by Counter/ Timer0.

The Z86E61/Z86E63 MCU automatically adds a start bit and two stop bits to transmitted data; see Figure 12. Odd parity is also available as an option. Eight data bits are always transmitted, regardless of parity selection. If parity is enabled, the eighth bit is the odd parity bit. An interrupt request (IRQ4) is generated on all transmitted characters.

Received data must have a start bit, eight data bits, and at least one stop bit. If parity is on, bit 7 of the received data is replaced by a parity error flag. Received characters generate the IRQ3 interrupt request.



**Figure 12. Serial Data Formats**

**Auto Latch.** The Auto Latch puts valid CMOS levels on all CMOS inputs that are not externally driven. This reduces excessive supply current flow in the input buffer when it is not driven by any source.

► **Note:** P33–P30 inputs differ from the Z86C61/C63 in that there is no clamping diode to  $V_{CC}$  because of the EPROM high voltage detection circuits. Exceeding the  $V_{IH}$  maximum specification during standard operating mode may cause the device to enter EPROM Mode.

## Address Space

This section describes the memory and addressing functions of the Z86E61/Z86E63 MCU.

### Program Memory

The Z86E61/Z86E63 MCU can address 48 KB (Z86E61) or 32 KB (Z86E63) of external program memory; see Figure 13. The first 12 bytes of program memory are reserved for the interrupt vectors. These locations contain six 16-bit vectors that correspond to the six available interrupts. For EPROM Mode, byte 13 to byte 16383 (Z86E61) or 32767 (Z86E63) consists of on-chip EPROM. At addresses 16384 (Z86E61) or 32768 (Z86E63) and above, the Z86E61/Z86E63 MCU executes external program memory fetches. In ROMless Mode, the Z86E61/Z86E63 MCU can address up to 64KB of program memory. Program execution begins at external location 000C (HEX) after a reset.

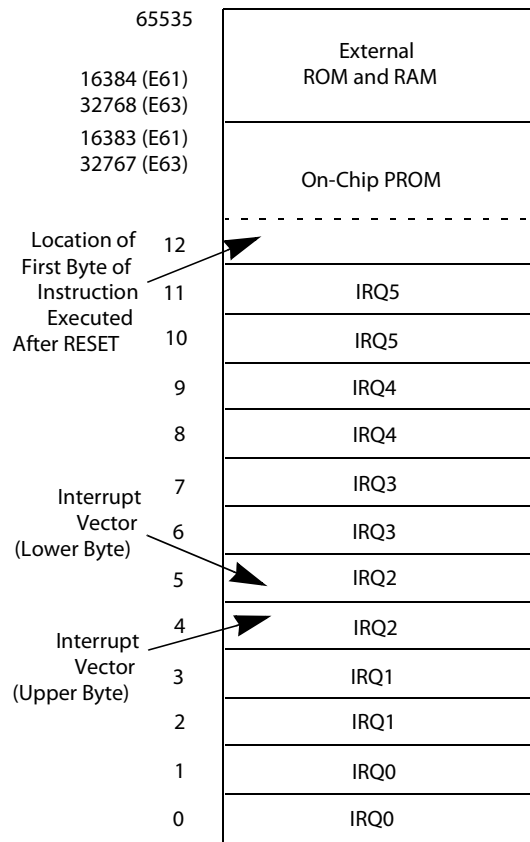


Figure 13. Program Memory Configuration

## Data Memory

The EPROM version can address up to 48KB (Z86E61) or 32KB (Z86E63) of external data memory (DM) space beginning at location 16384 (Z86E61) or 32768 (Z86E63). The ROMless version can address up to 64KB of external data memory. External data memory may be included with, or separated from, the external program memory space. DM, an optional I/O function that can be programmed to appear on pin P34, is used to distinguish between data and program memory space; see Figure 14. The state of the DM signal is controlled by the type instruction being executed. An LDC opcode references PROGRAM (DM inactive) memory, and an LDE instruction references DATA (DM active Low) memory.

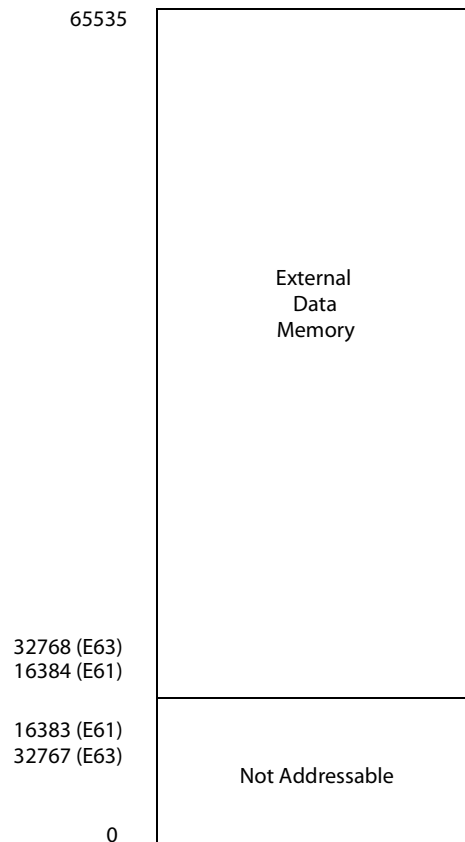


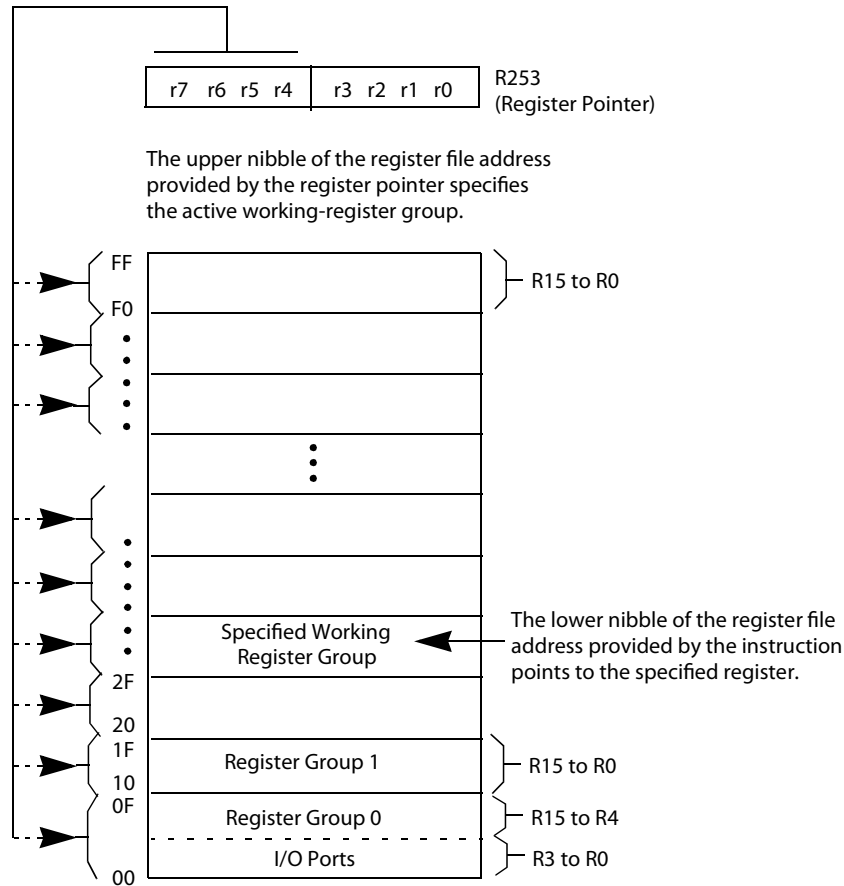
Figure 14. Data Memory Configuration

## Register File

The register file consists of four I/O port registers, 236 general-purpose registers, and 16 control and status registers, as shown in Figure 15. The instructions can access registers directly or indirectly through an 8-bit address field. The Z86E61/Z86E63 MCU also allows short 4-bit register addressing using the Register Pointer, which is shown in Figure 16. In 4-bit mode, the Register File is divided into 16 working register groups, each occupying 16 continuous locations. The Register Pointer addresses the starting location of the active working register group.

| LOCATION |                              | IDENTIFIERS |    |
|----------|------------------------------|-------------|----|
| R255     | Stack Pointer (Bits 7–0)     | SPL         |    |
| R254     | Stack Pointer (Bits 15–8)    | SPH         |    |
| R253     | Register Pointer             | RP          |    |
| R252     | Program Control Flags        | FLAGS       |    |
| R251     | Interrupt Mask Register      | IMR         |    |
| R250     | Interrupt Request Register   | IRQ         |    |
| R249     | Interrupt Priority Register  | IPR         |    |
| R248     | Port 0–1 Mode                | P01M        |    |
| R247     | Port 3 Mode                  | P3M         |    |
| R246     | Port 2 Mode                  | P2M         |    |
| R245     | T0 Prescaler                 | PRE0        |    |
| R244     | Timer/Counter0               | T0          |    |
| R243     | T1 Prescaler                 | PRE1        |    |
| R242     | Timer/Counter1               | T1          |    |
| R241     | Timer Mode                   | TMR         |    |
| R240     | Serial I/O                   | SIO         |    |
| R239     | General Purpose<br>Registers |             |    |
| R4       |                              |             |    |
| R3       |                              | Port 3      | P3 |
| R2       |                              | Port 2      | P2 |
| R1       |                              | Port 1      | P1 |
| R0       | Port 0                       | P0          |    |

Figure 15. Register File



**Figure 16. Register Pointer**

## Stack

The Z86E61/Z86E63 MCU has a 16-bit Stack Pointer (R255–R254) used for external stacks that reside anywhere in the data memory for the ROMless Mode, but only from 16384 (Z86E61) or 32768 (Z86E63) to 65535 in the EPROM Mode. An 8-bit Stack Pointer (R255) is used for the internal stack that resides within the 236 general-purpose registers (R239–R4). The high byte of the Stack Pointer (SPH Bits 15–8) can be used as a general-purpose register when using internal stack only.

## Functional Description

This section describes the counter/timer, interrupt, clock and timer mode functions of the Z86E61/Z86E63 MCU.

### Counter/Timers

There are two 8-bit programmable counter/timers (T0–T1), each driven by its own 6-bit programmable prescaler. The T1 prescaler is driven by internal or external clock sources; however, the T0 prescaler is driven by the internal clock only, as shown in Figure 17.

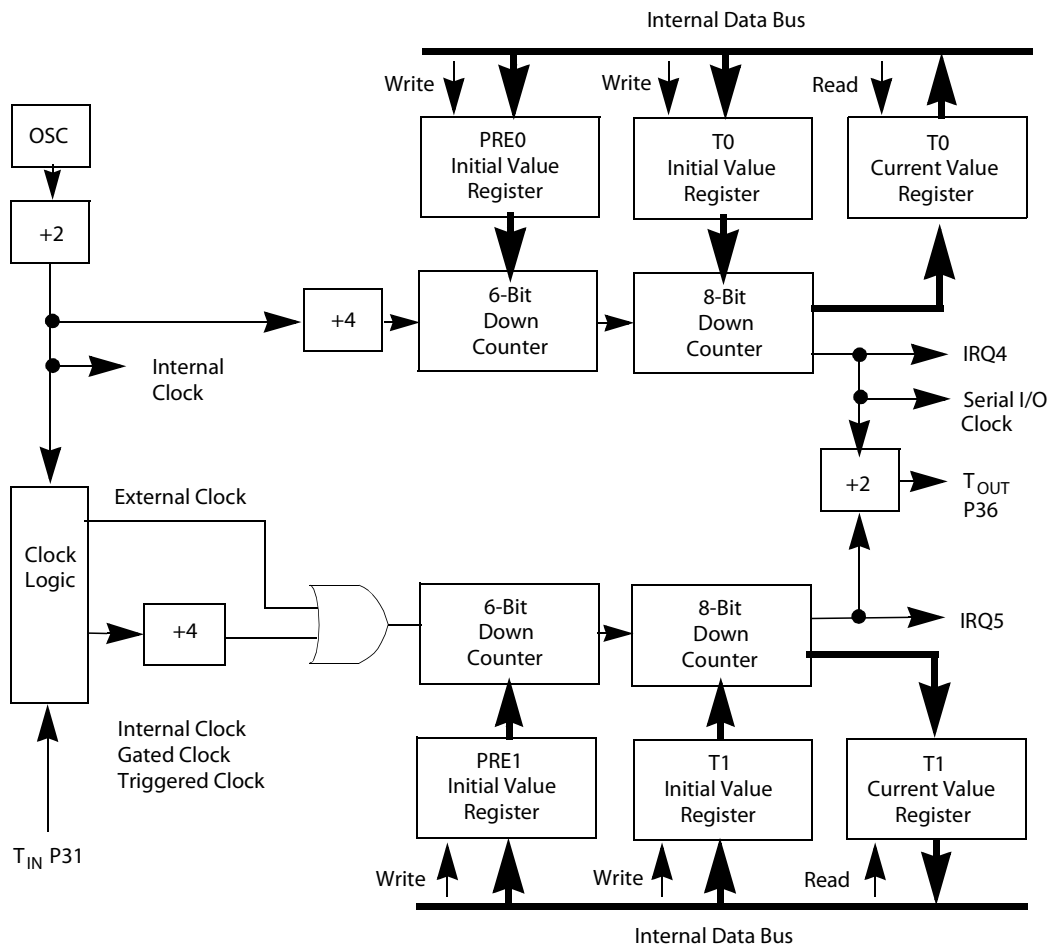


Figure 17. Counter/Timers Block Diagram

The 6-bit prescalers can divide the input frequency of the clock source by any integer number from 1 to 64. Each prescaler drives its counter, which decrements the value (1 to 256) that has been loaded into the counter. When both the counters and prescalers reach the end of the count, a timer interrupt request, IRQ4 (T0) or IRQ5 (T1), is generated.

The counter is programmed to start, stop, restart to continue, or restart from the initial value. The counters can also be programmed to stop upon reaching zero (Single Pass Mode) or to automatically reload the initial value and continue counting (Modulo-n Continuous Mode).

The counter, but not the prescalers, are read at any time without disturbing their value or count mode. The clock source for T1 is user-definable and is either the internal microprocessor clock divided-by-four, or an external signal input through Port 3. The Timer Mode Register configures the external timer input (P31) as an external clock, a trigger input that can be retriggerable or non-retriggerable, or as a gate input for the internal clock. Port 3 line P36 also serves as a timer output ( $T_{OUT}$ ) through which T0, T1, or the internal clock can be output. The counter/timers are cascaded by connecting the T0 output to the input of T1.

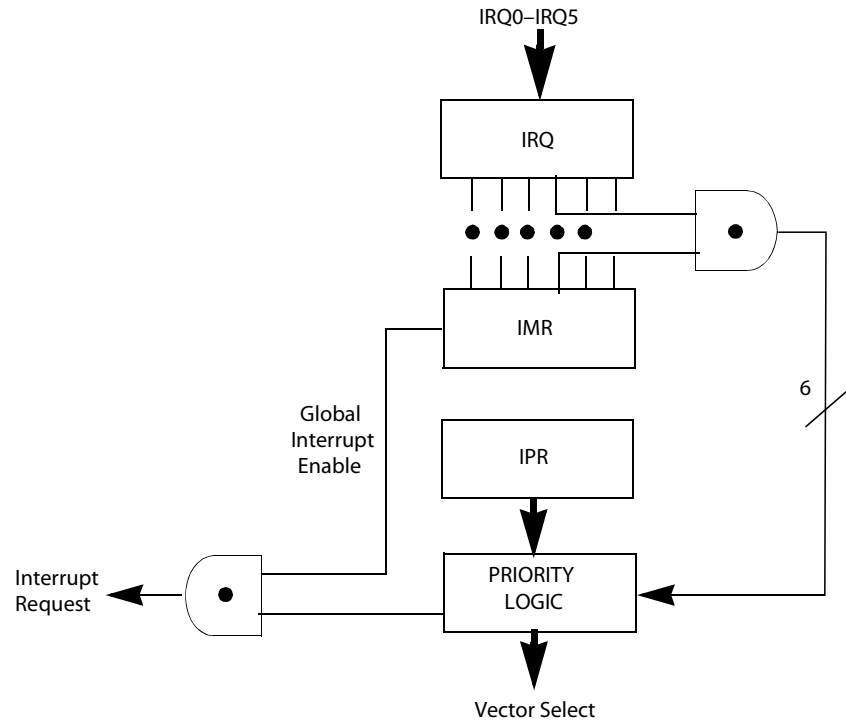
## Interrupts

The Z86E61/Z86E63 MCU has six different interrupts from eight different sources. The interrupts are maskable and prioritized. The eight sources are divided as follows: four sources are claimed by Port 3 lines P33–P30, one in Serial Out, one in Serial In, and two in the counter/timers; see Figure 18. The Interrupt Mask Register globally or individually enables or disables the six interrupt requests. When more than one interrupt is pending, priorities are resolved by a programmable priority encoder that is controlled by the Interrupt Priority Register; see [Figure 40](#) on page 48.

All Z86E61/Z86E63 MCU interrupts are vectored through locations in the program memory. When an interrupt machine cycle is activated, an interrupt request is granted. Thus, this disables all of the subsequent interrupts, saves the Program Counter and Status Flags, and then branches to the program memory vector location reserved for that interrupt. This memory location and the next byte contain the 16-bit address of the interrupt service routine for that particular interrupt request.

To accommodate polled interrupt systems, interrupt inputs are masked and the Interrupt Request Register is polled to determine which of the interrupt requests need service. Software initialized interrupts are supported by setting the appropriate bit in the Interrupt Request Register (IRQ).

Internal interrupt requests are sampled on the falling edge of the last cycle of every instruction, and the interrupt request must be valid 5TpC before the falling edge of the last clock cycle of the currently executing instruction.



**Figure 18. Interrupt Block Diagram**

For the ROMless Mode, when the device samples a valid interrupt request, the next 48 (external) clock cycles are used to prioritize the interrupt, and push the two PC bytes and the Flag Register on the stack. The following nine cycles are used to fetch the interrupt vector from external memory. The first byte of the interrupt service routine is fetched beginning on the 58th TpC cycle following the internal sample point, which corresponds to the 63rd TpC cycle following the external interrupt sample point.

## Clock

The Z86E61/Z86E63 MCU's on-chip oscillator features a high gain, parallel resonant amplifier for connection to a crystal, LC, ceramic resonator, or any suitable external clock source (XTAL1 = Input, XTAL2 = Output). The crystal should be AT cut, 1 MHz to 20 MHz max; series resistance (RS) is less than or equal to 100 Ohms. The crystal should be connected across XTAL1 and XTAL2 using the recommended capacitors ( $10\text{pF} < \text{CL} < 100\text{pF}$ ) from each pin to ground; see Figure 19.



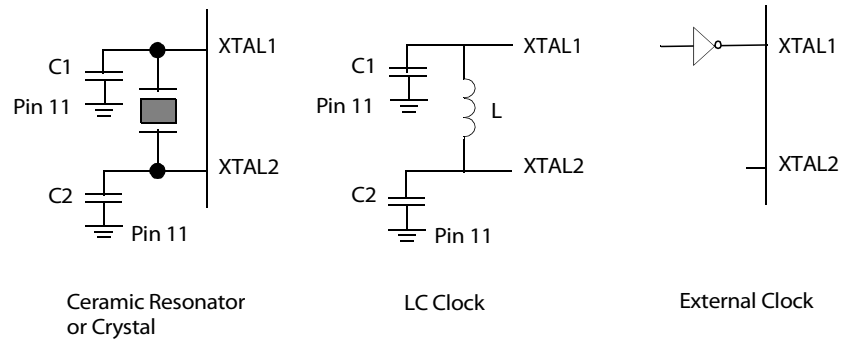


Figure 19. Oscillator Configuration

► **Note:** The actual capacitor value is specified by the crystal manufacturer.

## HALT

Turns off the internal CPU clock but not the XTAL oscillation. The counter/timers and external interrupts IRQ0, IRQ1, IRQ2, and IRQ3 remain active. The devices are recovered by interrupts, either externally or internally generated. An interrupt request must be executed (enabled) to exit HALT Mode. After the interrupt service routine, the program continues from the instruction after the HALT.

## STOP

This instruction turns off the internal clock and external crystal oscillation, and reduces the standby current to 5  $\mu$ A (typical) or less. The STOP Mode is terminated by a reset, which causes the processor to restart the application program at address 000Ch.

To enter STOP (or HALT) Mode, it is necessary to first flush the instruction pipeline to avoid suspending execution in mid-instruction. To do this, the user must execute a NOP (opcode = 0FFH) immediately before the appropriate SLEEP instruction, as shown in the following code segment.

```

FF      NOP      ; clear the pipeline
6F      STOP     ; enter STOP Mode
or
FF      NOP      ; clear the pipeline
7F      HALT     ; enter HALT Mode

```

## Programming

This section describes the five user program modes available for programming the Z86E61/Z86E63 MCU, including signal descriptions for programming or reading the Z86E63 device.

### Z86E61/Z86E63 User Modes

The Z86E61/Z86E63 MCU uses separate AC timing cycles for the different user modes available. Table 32 shows the Z86E61/Z86E63 MCU's user modes; Table 33 shows the timing of the programming waveforms.

**Table 32. OTP Programming<sup>1</sup>**

| User/Test Mode<br>Device Pin No. | Device Pins                  |                             |                              |                              |                         | ADDR           | V <sub>CC</sub> | Port 1<br>Config<br>Data |
|----------------------------------|------------------------------|-----------------------------|------------------------------|------------------------------|-------------------------|----------------|-----------------|--------------------------|
|                                  | P33                          | P32                         | P30                          | P31                          | P20                     |                |                 |                          |
| User Modes                       | V <sub>PP</sub>              | EPM                         | $\overline{\text{CE}}$       | $\overline{\text{OE}}$       | $\overline{\text{PGM}}$ |                |                 |                          |
| EPROM Read                       | Z <sup>2</sup>               | V <sub>H</sub> <sup>3</sup> | V <sub>IL</sub> <sup>4</sup> | V <sub>IL</sub>              | V <sub>IH</sub>         | Addr           | 5.0V            | Out                      |
| Program                          | V <sub>PP</sub> <sup>5</sup> | V <sub>IH</sub>             | V <sub>IL</sub>              | V <sub>IH</sub> <sup>6</sup> | V <sub>IL</sub>         | Addr           | 6.0V            | In                       |
| Program Verify                   | V <sub>PP</sub> <sup>5</sup> | V <sub>IH</sub>             | V <sub>IL</sub>              | V <sub>IL</sub>              | V <sub>IH</sub>         | Addr           | 6.0V            | Out                      |
| EPROM Protect                    | V <sub>PP</sub> <sup>5</sup> | V <sub>H</sub>              | V <sub>H</sub>               | V <sub>IH</sub>              | V <sub>IL</sub>         | X <sup>7</sup> | 6.0V            | X                        |
| RAM Protect                      | V <sub>PP</sub>              | V <sub>IH</sub>             | V <sub>H</sub>               | V <sub>IH</sub>              | V <sub>IL</sub>         | X              | 6.0V            | X                        |

**Notes:**

1. I<sub>PP</sub> during programming = 40 mA maximum; I<sub>CC</sub> during programming, verify or read = 40 mA maximum.
2. Z = V<sub>IL</sub> or V<sub>IH</sub>.
3. V<sub>H</sub> = 12.0 ± 0.5V.
4. V<sub>IL</sub> = 0V.
5. V<sub>PP</sub> = 12.0 ± 0.5V.
6. V<sub>IH</sub> = 5V.
7. X = Not used in this mode.

**Table 33. Timing of Programming Waveforms**

| Parameters | Name                       | Min  | Max | Unit |
|------------|----------------------------|------|-----|------|
| 1          | Address Setup Time         | 2    |     | μs   |
| 2          | Data Setup Time            | 2    |     | μs   |
| 3          | V <sub>PP</sub> Setup Time | 2    |     | μs   |
| 4          | V <sub>CC</sub> Setup time | 2    |     | μs   |
| 5          | Chip Enable Setup Time     | 2    |     | μs   |
| 6          | Program Pulse Width        | 0.95 |     | μs   |

**Table 33. Timing of Programming Waveforms (Continued)**

| Parameters | Name   | Min  | Max | Unit |
|------------|--|------|-----|------|
| 7          | Data Hold Time                               | 2    |     | μs   |
| 8          | $\overline{\text{OE}}$ Setup Time            | 2    |     | μs   |
| 9          | Data Access Time                             |      | 200 | ns   |
| 10         | Data Output Float Time                       |      | 100 | ns   |
| 11         | Overprogram Pulse Width                      | 2.85 |     | ms   |
| 12         | EPM Setup Time                               | 2    |     | μs   |
| 13         | PGM Setup Time                               | 2    |     | μs   |
| 14         | Address to $\overline{\text{OE}}$ Setup Time | 2    |     | μs   |
| 15         | Option Program Pulse Width                   | 78   |     | ms   |

#### **User MODE 1: EPROM Read**

The Z86E61/Z86E63 EPROM read cycle is provided so that the user may read the Z86E61/Z86E63 MCU as a standard 27128 (Z86E61) or 27256 (Z86E63) EPROM. This is accomplished by driving the EPM pin (P32) to  $V_H$  and activating CE and OE. PGM remains inactive. This mode is not valid after execution of an EPROM protect cycle.

Timing for the EPROM read cycle is shown in Figure 20.

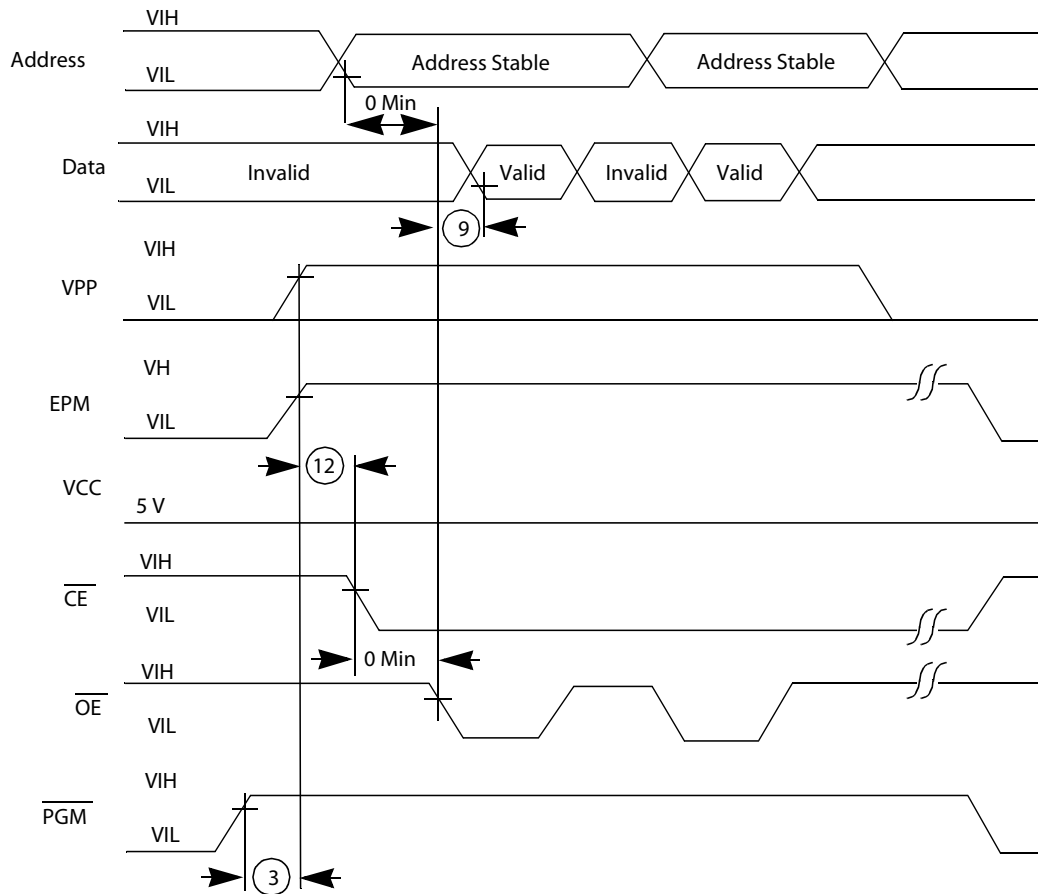


Figure 20. EPROM Read Timing

### User MODE 2: EPROM Program

The Z86E61/Z86E63 MCU's Program function conforms to the Intelligent programming algorithm. The device is programmed with  $V_{CC}$ , at 6.0V and  $V_{PP} = 12.5V$ . Programming pulses are applied in 1 ms increments to a maximum of 25 pulses before proper verification. After verification, a programming pulse of three times the duration of the cycles necessary to program the device is issued to ensure proper programming. After all addresses are programmed, a final data comparison is executed and the programming cycle is complete. Timing for the Z86E61/Z86E63 MCU programming cycle is shown in Figure 21.

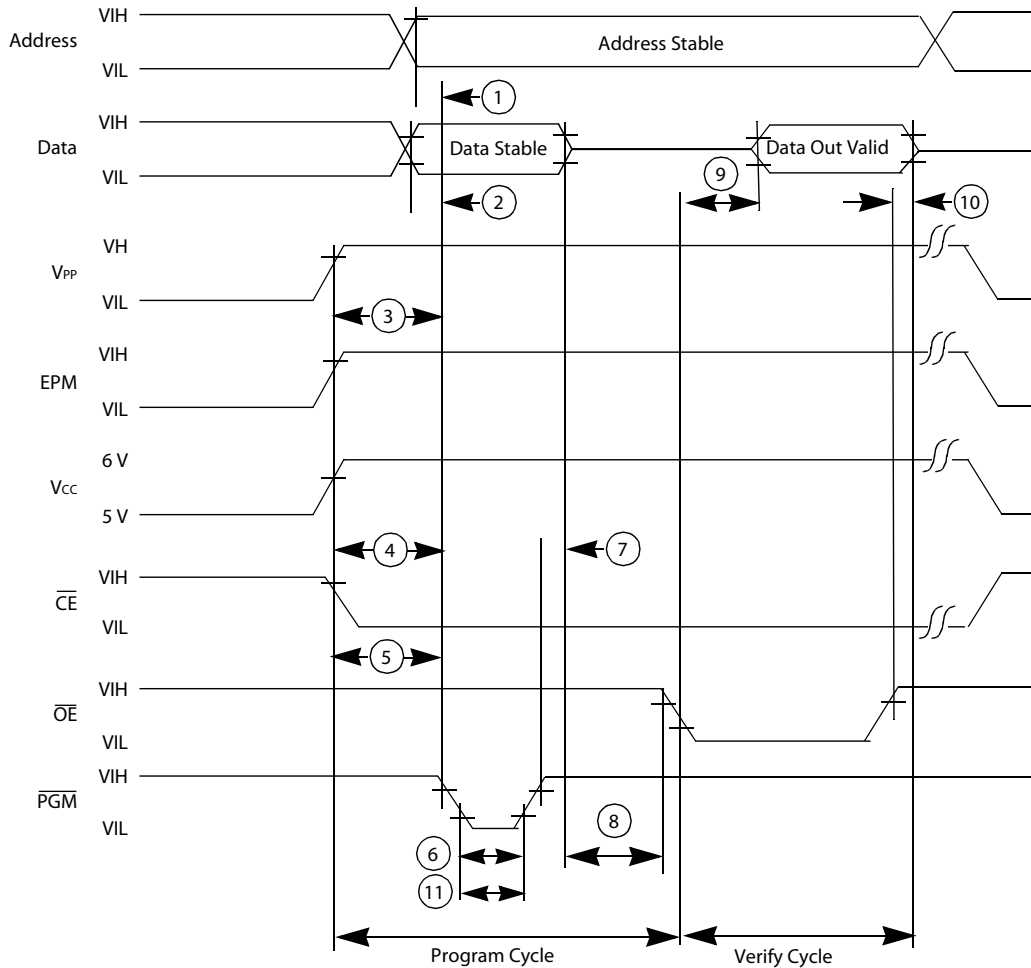


Figure 21. EPROM Program and Verify Timing

### User Mode 3: PROM Verify

The Program Verify cycle is used as part of the intelligent programming algorithm to insure data integrity under worst-case conditions. It differs from the EPROM Read cycle in that V<sub>PP</sub> is active and V<sub>CC</sub> must be driven to 6.0V. Timing is shown in Figure 21.

### User Modes 4 and 5: EPROM and RAM Protect

To extend program security, EPROM and RAM protect cycles are provided for the Z86E61/Z86E63 MCU. Execution of the EPROM protect cycle prohibits proper execution of the EPROM Read, EPROM Verify, and EPROM programming cycles. Execution of the RAM protect cycle disables accesses to the upper 128 bytes of register memory (excluding

mode and configuration registers), but first the user's program must set bit 6 of the IMR (R251). Timing is shown in Figure 22.

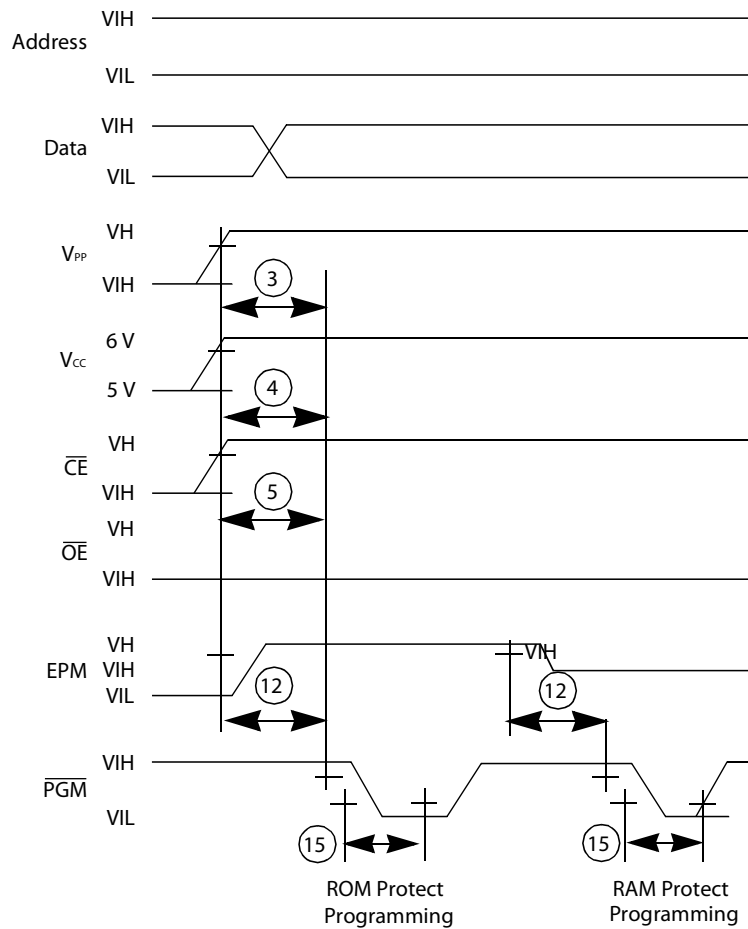


Figure 22. Programming EPROM and RAM Protect

## Z86E63 Signal Description for EPROM Program/Read

The following signals are required to correctly program or read the Z86E63 device.

### ADDR

The address must remain stable throughout the program read cycle. On both the Z86E61 and Z86E63 MCUs, all A0–A14 address lines must be driven at all times.

## DATA

The I/O data bus must be stable during programming (OE High, PGM Low,  $V_{PP}$  High). During read the data bus outputs data.

## XCLK

A clock is required to clock the RESET signal into the registers before programming. A constant clock can be applied, or the XCLK input can be toggled a minimum of 12 cycles before any programming or verify function begins. The maximum clock frequency to be applied when in the EPROM Mode is 12 MHz.

**RESET.** The reset input can be held to a constant Low or High value throughout normal programming. It must be held High to program the EPROM protect option bit. Also, any time the RESET input changes state the XCLK must be clocked a minimum of 12 times to clock the RESET through the reset filter.

**OE.** When the device is placed in EPROM Mode, the OE input also serves as the pre-charge for the sense amp. The precharge signal should be Low for the first half of the stable address and High for the second half. The PRECHG signal is inverted from the OE signal so the OE should be High on the first half and Low on the second half, or stable address. The EPROM output data should be sampled during the second half of stable address.

The access time of the EPROM is defined in later sections. This two part calculation of access time is required because this is a precharged sense amp with a precharge clock.

## Programming Flow

Figure 23 shows the steps for programming the Z86E61/Z86E63 MCU.

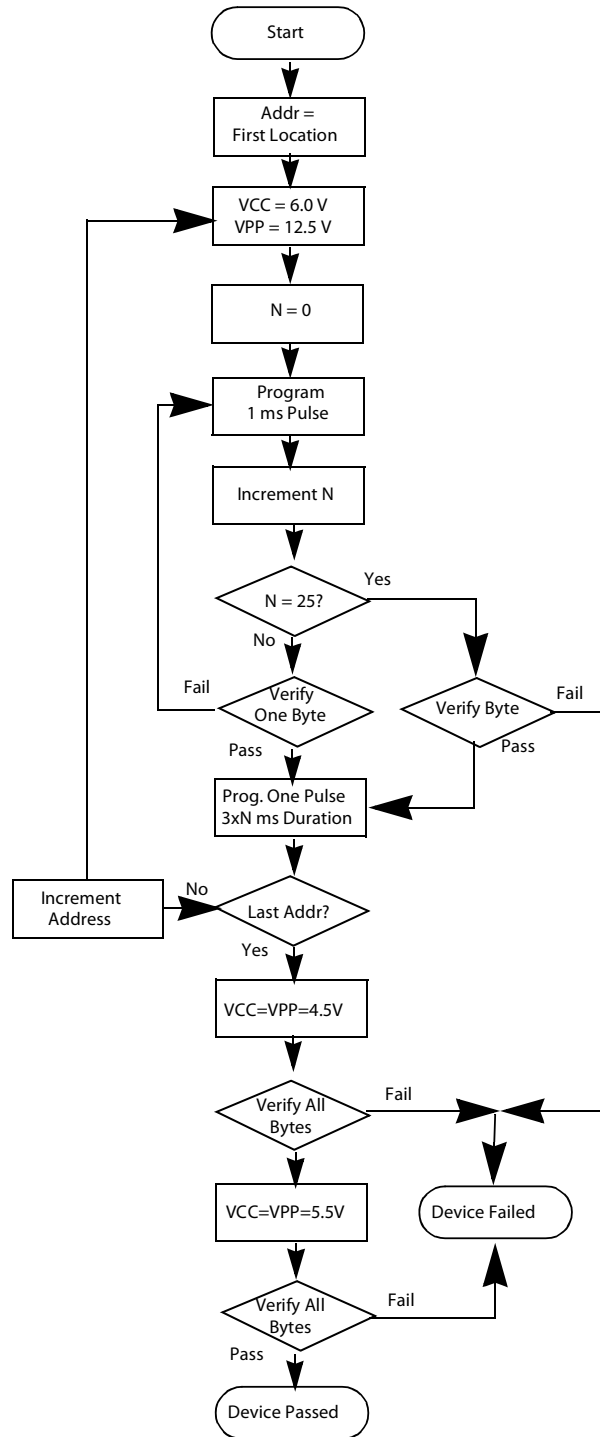


Figure 23. Intelligent Programming Flowchart



## Absolute Maximum Ratings

Stresses greater than those listed under Absolute Maximum Ratings may cause permanent damage to the device. This is a stress rating only; operation of the device at any condition above those indicated in the operational sections of these specifications is not implied. Exposure to absolute maximum rating conditions for an extended period may affect device reliability.

Table 34 lists the absolute maximum ratings of the Z86E61/Z86E63 MCU.

**Table 34. Absolute Maximum Ratings**

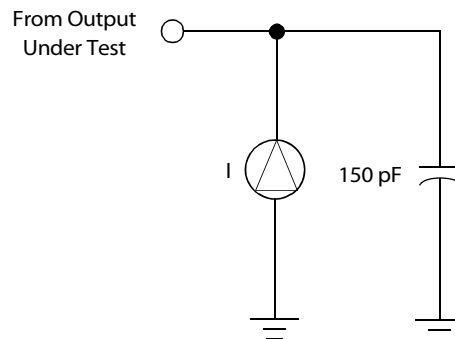
| Symbol    | Description                   | Min  | Max        | Unit |
|-----------|-------------------------------|------|------------|------|
| $V_{CC}$  | Supply Voltage <sup>1</sup>   | -0.3 | +7.0       | V    |
| $T_{STG}$ | Storage Temperature           | -65  | +150       | °C   |
| $T_A$     | Operating Ambient Temperature |      | See Note 2 | °C   |

**Notes:**

1. Voltages on all pins with respect to [GND](#).
2. See [Ordering Information](#) on page 60.

## Standard Test Conditions

The characteristics described in this document apply to standard test conditions, as noted. All voltages are referenced to GND, and positive current flows into the referenced pin; see Figure 24.



**Figure 24. Test Load Diagram**

## DC Characteristics

Table 35 lists voltage and direct current characteristics for the Z86E61/Z86E63 MCU under differing conditions. Be advised that  $I_{CC2}$  requires loading TMR (F1Hh) with any value prior to STOP execution. Use the following sequence:

```
LD TMR, #00
NOP
STOP
```

**Table 35. Direct Current Characteristics**

| Symbol    | Parameter                | Min  | Max          | Typical<br>@ 25°C | Units         | Conditions   |
|-----------|--------------------------|------|--------------|-------------------|---------------|--|
|           | Max Input Voltage        |      | 7            |                   | V             | $I_{IN} < 250\mu\text{A}$ .                        |
|           | Max Input Voltage        | 13   |              |                   | V             | P33–P30 Only.                                      |
| $V_{CH}$  | Clock Input High Voltage | 3.8  | $V_{CC}+0.3$ |                   | V             | Driven by External Clock Generator.                |
| $V_{CL}$  | Clock Input Low Voltage  | –0.3 | 0.8          |                   | V             | Driven by External Clock Generator.                |
| $V_{IH}$  | Input High Voltage       | 2.0  | $V_{CC}+0.3$ |                   | V             |  |
| $V_{IL}$  | Input Low Voltage        | –0.3 | 0.8          |                   | V             |  |
| $V_{OH}$  | Output High Voltage      | 2.4  |              |                   | V             | $I_{OH} = -2.0\text{mA}$ .                         |
| $V_{OL}$  | Output Low Voltage       |      | 0.4          |                   | V             | $I_{OL} = +2.0\text{mA}$ .                         |
| $V_{RH}$  | Reset Input High Voltage | 3.8  | $V_{CC}+0.3$ |                   | V             |  |
| $V_{RL}$  | Reset Input Low Voltage  | –0.3 | 0.8          |                   | V             |  |
| $I_{IL}$  | Input Leakage            | –10  | 10           |                   | $\mu\text{A}$ | $V_{IN} = 0\text{V}, 5.25\text{V}$ .               |
| $I_{OL}$  | Output Leakage           | –10  | 10           |                   | $\mu\text{A}$ | $V_{IN} = 0\text{V}, 5.25\text{V}$ .               |
| $I_{IR}$  | Reset Input Current      |      | –50          |                   | $\mu\text{A}$ | $V_{CC} = +5.25\text{V}; V_{RL} = 0\text{V}$ .     |
| $I_{CC}$  | Supply Current           |      | 50           | 25                | mA            | @ 16MHz.   |
|           |                          |      | 60           | 35                | mA            | @ 20MHz.   |
| $I_{CC1}$ | Standby Current          |      | 15           | 5                 | mA            | HALT Mode @ 16MHz;<br>$V_{IN} = 0\text{V}, V_{CC}$ |
|           |                          |      | 20           | 10                | mA            | HALT Mode @ 20MHz;<br>$V_{IN} = 0\text{V}, V_{CC}$ |
| $I_{CC2}$ | Standby Current          |      | 20           | 5                 | $\mu\text{A}$ | STOP Mode<br>$V_{IN} = 0\text{V}, V_{CC}$          |

## Supply Current

Figure 25 shows the typical supply current values (in milliamps), for the Z86E61/Z86E63 MCU as a function of frequency (in megahertz).

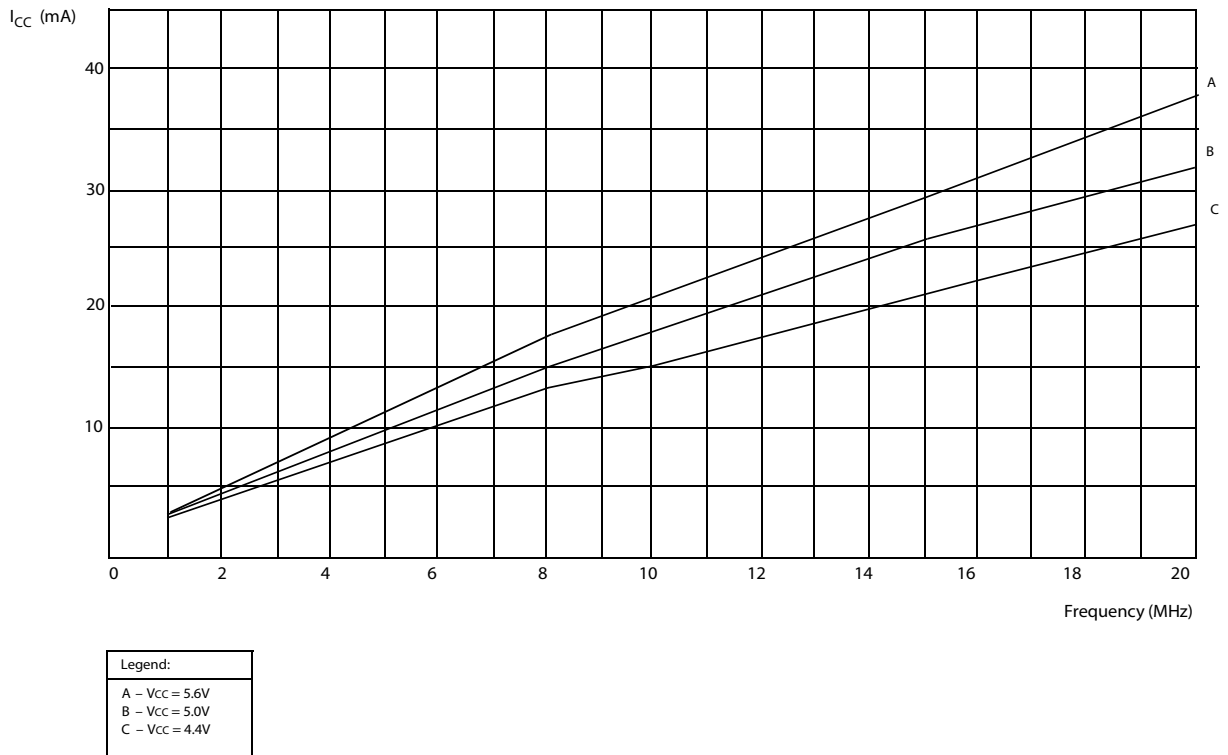


Figure 25. Typical  $I_{CC}$  vs. Frequency

## Standby Current

Figure 26 shows the typical standby current values (in milliamps), for the Z86E61/  
Z86E63 MCU as a function of frequency (in megahertz).

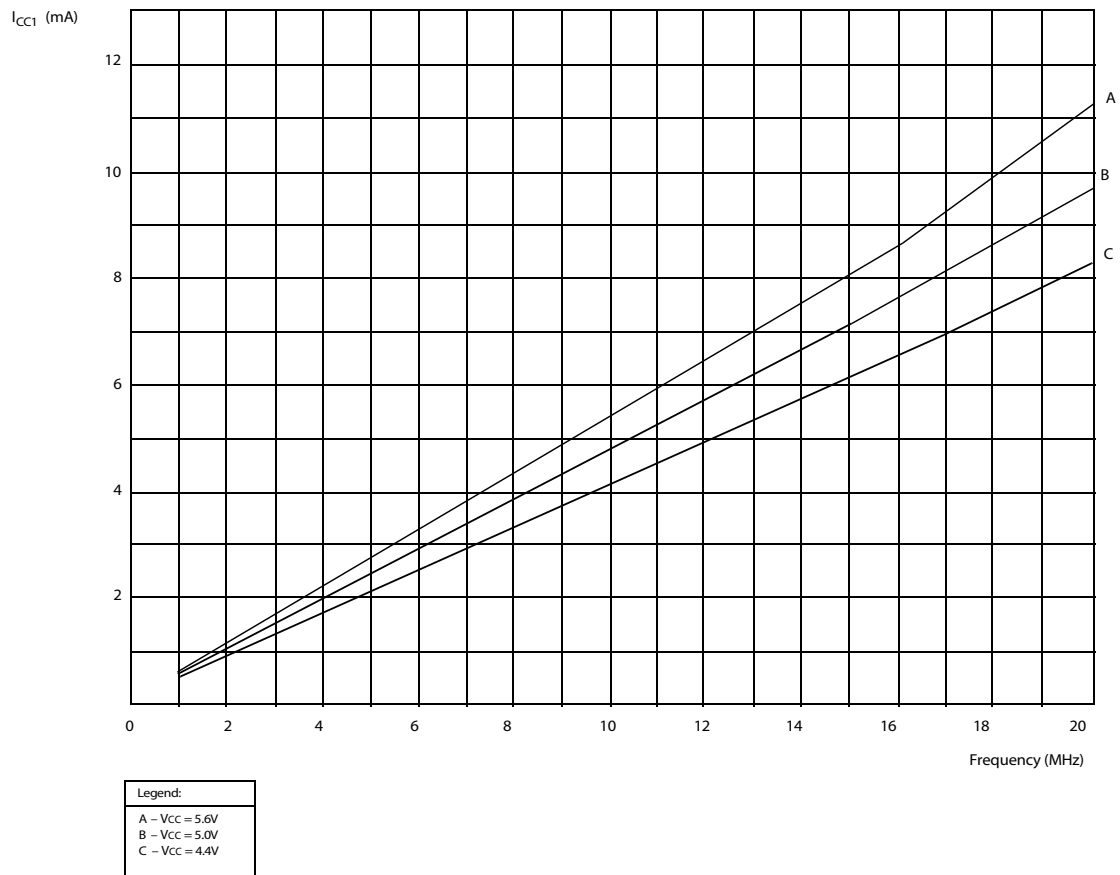


Figure 26. Typical  $I_{CC1}$  vs. Frequency

## AC Characteristics

Figure 27 displays the timing characteristics for the Z86E61/Z86E63 MCU. The circled numbers in this figure reference a description in Table 36 of each symbol, its parameter and its frequency range for these 16MHz and 20MHz parts.

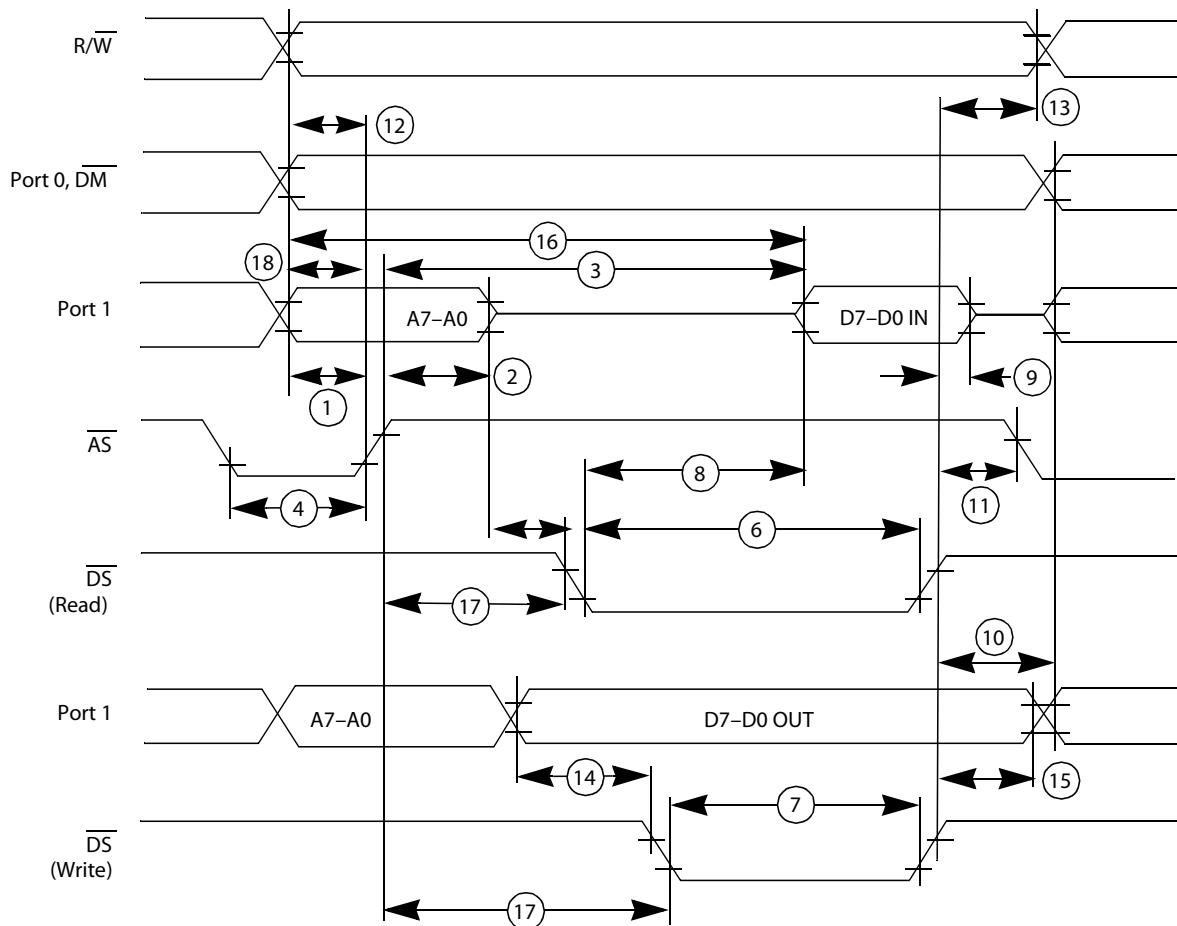


Figure 27. External I/O or Memory Read/Write Timing

Table 36 lists the alternating current characteristics for the Z86E61/Z86E63 MCU as they relate to Figure 27. Formulas for each parameter are listed in Table 37.

**Table 36. External I/O or Memory Read and Write Timing**

| No. | Symbol    | Parameter   | $T_A = 0^\circ\text{C to } +70^\circ\text{C}$ |     |       |     | Units | Notes |
|-----|-----------|---|---|-----|-------|-----|-------|-------|
|     |           |   | 16MHz <sup>1</sup>                            |     | 20MHz |     |       |       |
|     |           |   | Min   | Max | Min   | Max |       |       |
| 1   | TdA(AS)   | Address Valid to $\overline{\text{AS}}$ Rise Delay                | 20  |     | 26    |     | ns    | 2,3   |
| 2   | TdAS(A)   | $\overline{\text{AS}}$ Rise to Address Float Delay                | 30  |     | 28    |     | ns    | 2,3   |
| 3   | TdAS(DR)  | $\overline{\text{AS}}$ Rise to Read Data Req'd Valid              |   | 180 |       | 160 | ns    | 2,3,4 |
| 4   | TwAS      | $\overline{\text{AS}}$ Low Width                                  | 35  |     | 36    |     | ns    | 2,3   |
| 5   | TdAZ(DS)  | Address Float to DS Fall  | 0   |     | 0     |     | ns    |       |
| 6   | TwDSR     | $\overline{\text{DS}}$ (Read) Low Width                           | 135   |     | 130   |     | ns    | 2,3,4 |
| 7   | TwDSW     | $\overline{\text{DS}}$ (Write) Low Width                          | 80  |     | 75    |     | ns    | 2,3,4 |
| 8   | TdDSR(DR) | $\overline{\text{DS}}$ Fall to Read Data Req'd Valid              |   | 75  |       | 100 | ns    | 2,3,4 |
| 9   | ThDR(DS)  | Read Data to DS Rise Hold Time                                    | 0   |     | 0     |     | ns    | 2,3   |
| 10  | TdDS(A)   | $\overline{\text{DS}}$ Rise to Address Active Delay               | 35  |     | 48    |     | ns    | 2,3   |
| 11  | TdDS(AS)  | $\overline{\text{DS}}$ Rise to $\overline{\text{AS}}$ Fall Delay  | 30  |     | 36    |     | ns    | 2,3   |
| 12  | TdR/W(AS) | R/W Valid to $\overline{\text{AS}}$ Rise Delay                    | 20  |     | 32    |     | ns    | 2,3   |
| 13  | TdDS(R/W) | $\overline{\text{DS}}$ Rise to R/W Not Valid                      | 30  |     | 36    |     | ns    | 2,3   |
| 14  | TdDW(DSW) | Write Data Valid to $\overline{\text{DS}}$ Fall (Write) Delay     | 25  |     | 40    |     | ns    | 2,3   |
| 15  | TdDS(DW)  | $\overline{\text{DS}}$ Rise to Write Data Not Valid Delay         | 30  |     | 40    |     | ns    | 2,3   |
| 16  | TdA(DR)   | Address Valid to Read Data Req'd Valid                            |   | 200 |       | 200 | ns    | 2,3,4 |
| 17  | TdAS(DS)  | AS Rise to $\overline{\text{DS}}$ Fall Delay                      | 40  |     | 48    |     | ns    | 2,3   |
| 18  | TdDM(AS)  | $\overline{\text{DM}}$ Valid to $\overline{\text{AS}}$ Fall Delay | 30  |     | 36    |     | ns    | 2,3   |

**Notes:**

1. All timing references use 2.0V for a logic 1 and 0.8V for a logic 0.
2. Timing numbers given are for minimum TpC.
3. See [Table 37](#).
4. When using extended memory timing, add 2 TpC.

Table 37. Clock-Dependent Formulas

| Number | Symbol    | Formula                    |
|--------|-----------|----------------------------|
| 1      | TdA(AS)   | $0.40 \text{ TpC} + 0.32$  |
| 2      | TdAS(A)   | $0.59 \text{ TpC} - 3.25$  |
| 3      | TdAS(DR)  | $2.83 \text{ TpC} + 6.14$  |
| 4      | TwAS      | $0.66 \text{ TpC} - 1.65$  |
| 6      | TwDSR     | $2.33 \text{ TpC} - 10.56$ |
| 7      | TwDSW     | $1.27 \text{ TpC} + 1.67$  |
| 8      | TdDSR(DR) | $1.97 \text{ TpC} - 42.5$  |
| 10     | TdDS(A)   | $0.8 \text{ TpC}$          |
| 11     | TdDS(AS)  | $0.59 \text{ TpC} - 3.14$  |
| 12     | TdR/W(AS) | $0.4 \text{ TpC}$          |
| 13     | TdDS(R/W) | $0.8 \text{ TpC} - 15$     |
| 14     | TdDW(DSW) | $0.4 \text{ sTpC}$         |
| 15     | TdDS(DW)  | $0.88 \text{ TpC} - 19$    |
| 16     | TdA(DR)   | $4 \text{ TpC} - 20$       |
| 17     | TdAS(DS)  | $0.91 \text{ TpC} - 10.7$  |
| 18     | TdDM(AS)  | $0.9 \text{ TpC} - 26.3$   |

Input and output handshake timing characteristics are shown in Figures 28 and 29 and described in Table 38.

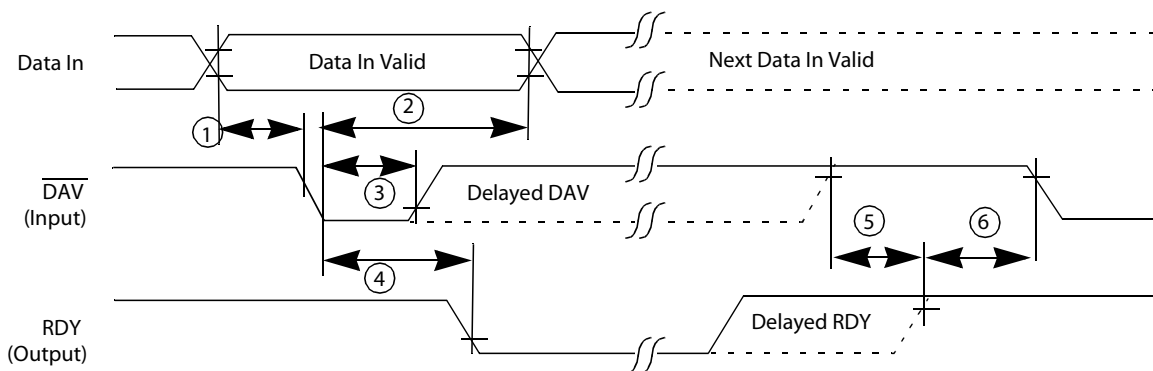


Figure 28. Input Handshake Timing

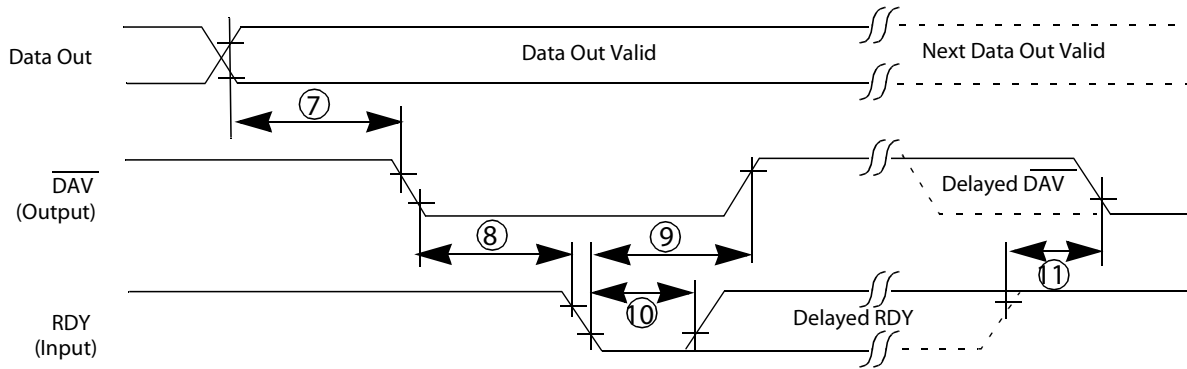


Figure 29. Output Handshake Timing

Table 38. Handshake Timing

| No. | Symbol         | Parameter                  | TA = 0°C to +70°C |     |       |     | Data Direction |
|-----|----------------|----------------------------|-------------------|-----|-------|-----|----------------|
|     |                |                            | 16MHz             |     | 20MHz |     |                |
|     |                |                            | Min               | Max | Min   | Max |                |
| 1   | TsDI(DAV)      | Data In Setup Time         | 0                 |     | 0     |     | IN             |
| 2   | ThDI(DAV)      | Data In Hold Time          | 145               |     | 145   |     | IN             |
| 3   | TwDAV          | Data Available Width       | 110               |     | 110   |     | IN             |
| 4   | TdDAVI(RDY)    | DAV Fall to RDY Fall Delay |                   | 115 |       | 115 | IN             |
| 5   | TdDAVI(d)(RDY) | DAV Rise to RDY Rise Delay |                   | 115 |       | 115 | IN             |
| 6   | TdRDY0(DAV)    | RDY Rise to DAV Fall Delay | 0                 |     | 0     |     | IN             |
| 7   | TdD0(DAV)      | Data Out to DAV Fall Delay |                   | TpC |       | TpC | OUT            |
| 8   | TdDAV0(RDY)    | DAV Fall to RDY Fall Delay | 0                 |     | 0     |     | OUT            |
| 9   | TdRDY0(DAV)    | RDY Fall to DAV Rise Delay |                   | 115 |       | 115 | OUT            |
| 10  | TwRDY          | RDY Width                  | 110               |     | 110   |     | OUT            |
| 11  | TdRDY0d(DAV)   | RDY Rise to DAV Fall Delay |                   | 115 |       | 115 | OUT            |



Additional timing characteristics are shown in Figure 30 and described in Table 39.

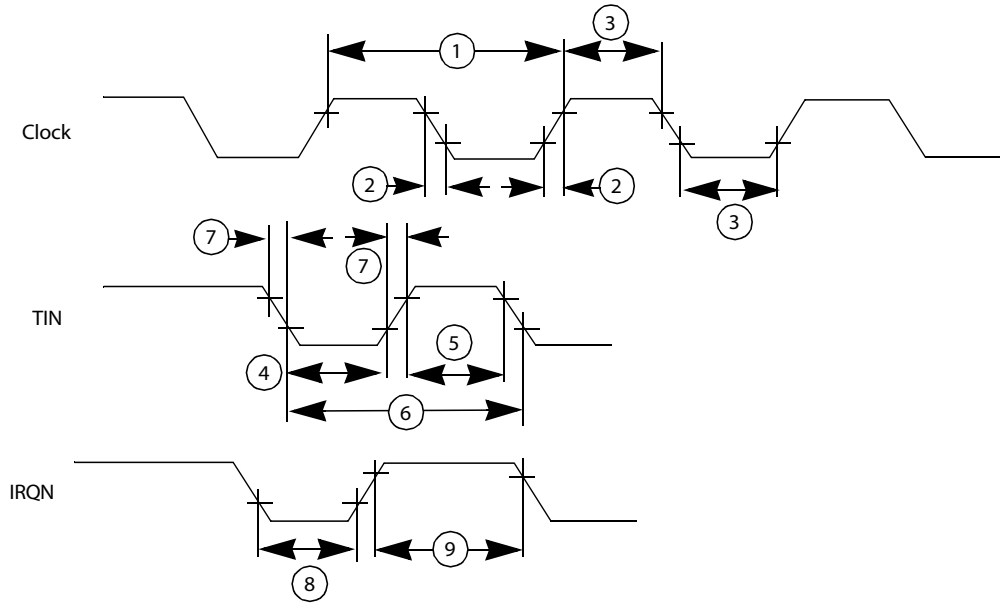


Figure 30. Additional Timing

Table 39. Additional Timing

| No. | Symbol                                | Parameter                     | TA = 0°C to +70°C  |      |       |      | Units | Notes |
|-----|---------------------------------------|-------------------------------|--------------------|------|-------|------|-------|-------|
|     |                                       |                               | 16MHz <sup>1</sup> |      | 20MHz |      |       |       |
|     |                                       |                               | Min                | Max  | Min   | Max  |       |       |
| 1   | TpC                                   | Input Clock Period            | 62.5               | 1000 | 50    | 1000 | ns    | 1     |
| 2   | TrC, TfC                              | Clock Input Rise & Fall Times |                    | 10   |       | 15   | ns    | 1     |
| 3   | TwC                                   | Input Clock Width             | 21                 |      | 37    |      | ns    | 1     |
| 4   | TwT <sub>INL</sub>                    | Timer Input Low Width         | 50                 |      | 75    |      | ns    | 2     |
| 5   | TwT <sub>INH</sub>                    | Timer Input High Width        | 5TpC               |      | 5TpC  |      |       | 2     |
| 6   | TpT <sub>IN</sub>                     | Timer Input Period            | 8TpC               |      | 8TpC  |      |       | 2     |
| 7   | TrT <sub>IN</sub> , TfT <sub>IN</sub> | Timer Input Rise & Fall times | 100                |      | 100   |      | ns    | 2     |

**Notes:**

1. Clock timing references use 3.8V for a logic 1 and 0.8V for a logic 0.
2. Timing references use 2.0V for a logic 1 and 0.8V for a logic 0.
3. Interrupt request through Port 3 (P33–P31).
4. Interrupt request through Port 30.
5. Interrupt references request through Port 3.

Table 39. Additional Timing (Continued)

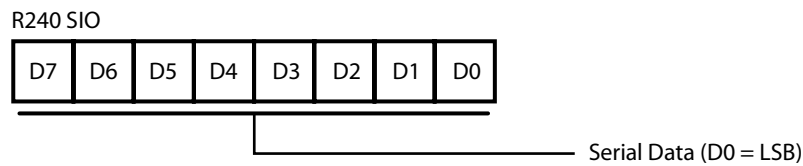
| No. | Symbol | Parameter                          | TA = 0°C to +70°C  |     |       |     | Units | Notes |
|-----|--------|------------------------------------|--------------------|-----|-------|-----|-------|-------|
|     |        |                                    | 16MHz <sup>1</sup> |     | 20MHz |     |       |       |
|     |        |                                    | Min                | Max | Min   | Max |       |       |
| 8A  | TwIL   | Interrupt Request Input Low Times  | 70                 |     | 50    |     | ns    | 2,3   |
| 8B  | TwIL   | Interrupt Request Input Low Times  | 5TpC               |     | 5TpC  |     |       | 2,4   |
| 9   | TwIH   | Interrupt Request Input High Times | 5TpC               |     | 5TpC  |     |       | 2,5   |

**Notes:**

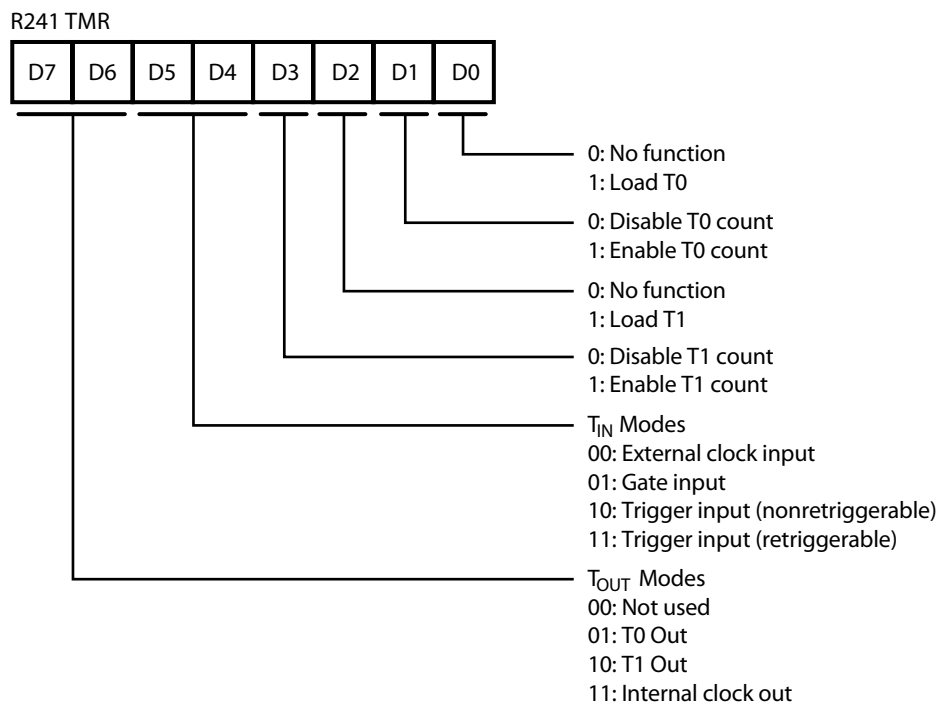
1. Clock timing references use 3.8V for a logic 1 and 0.8V for a logic 0.
2. Timing references use 2.0V for a logic 1 and 0.8V for a logic 0.
3. Interrupt request through Port 3 (P33–P31).
4. Interrupt request through Port 30.
5. Interrupt references request through Port 3.

## Control Registers

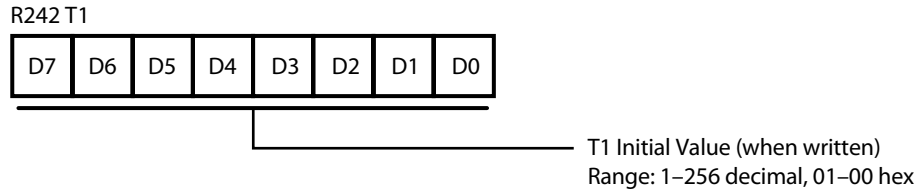
Figures 31 through 46 provide brief bit descriptions of each of the Z86E61/Z86E63 MCU's control registers.



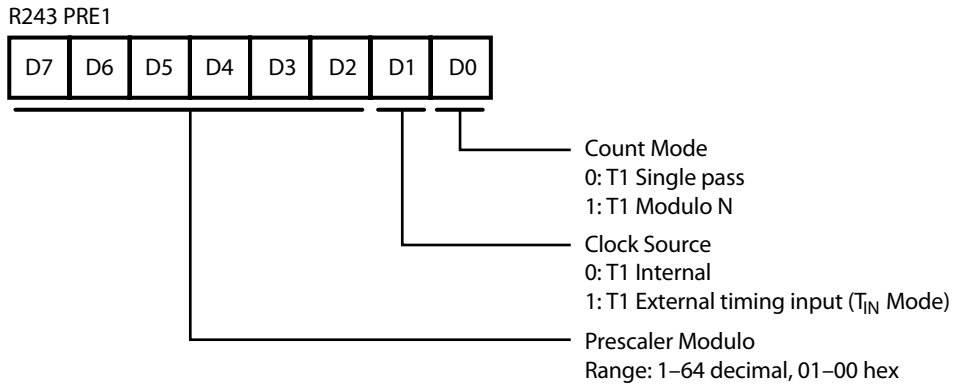
**Figure 31. Serial I/O Register (F0H: Read/Write)**



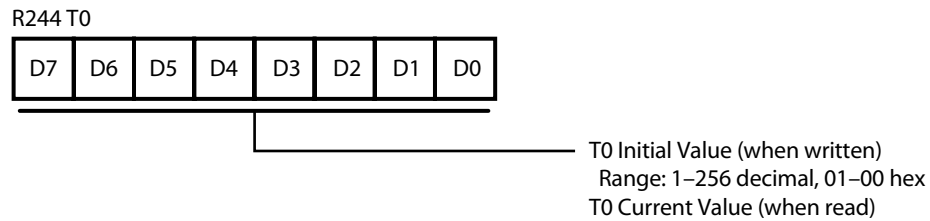
**Figure 32. Timer Mode Register (F1H: Read/Write)**



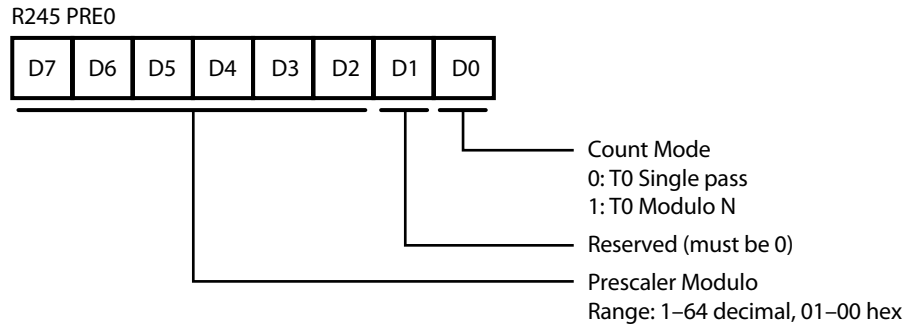
**Figure 33. Counter/Timer 1 Register (F2H: Read/Write)**



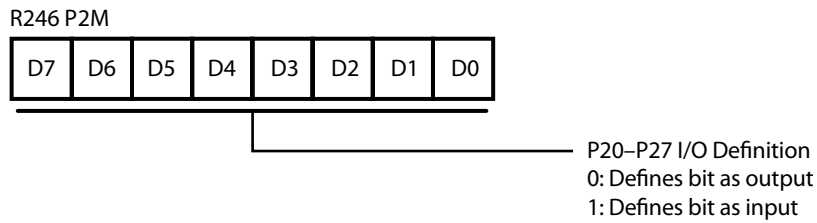
**Figure 34. Prescaler 1 Register (F3H: Write Only)**



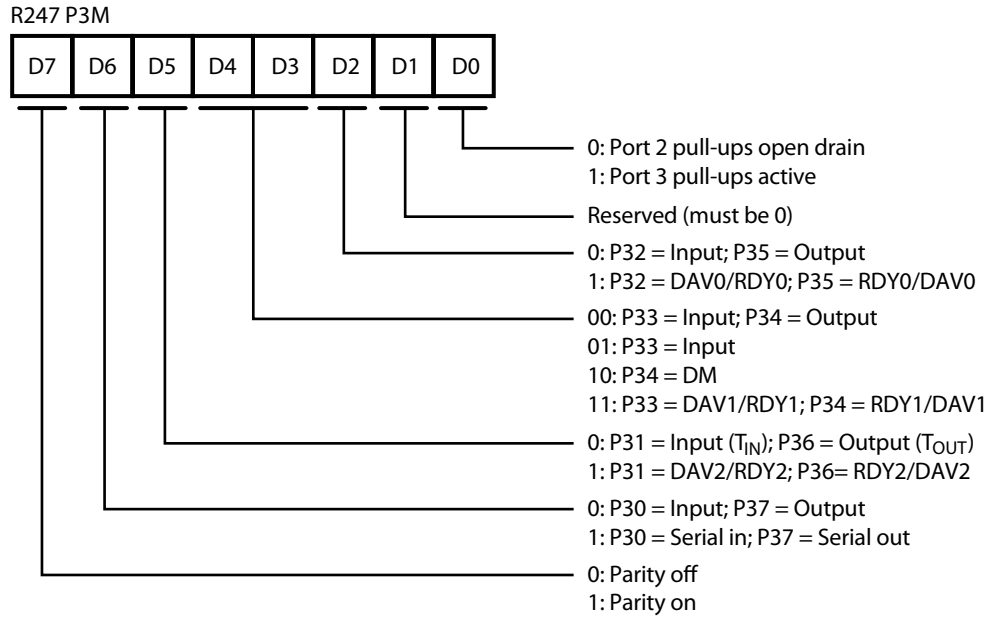
**Figure 35. Counter/Timer 0 Register (F4H: Read/Write)**



**Figure 36. Prescaler 0 Register (F5H: Write Only)**



**Figure 37. Port 2 Mode Register (F6H: Write Only)**



**Figure 38. Port 3 Mode Register (F7H: Write Only)**

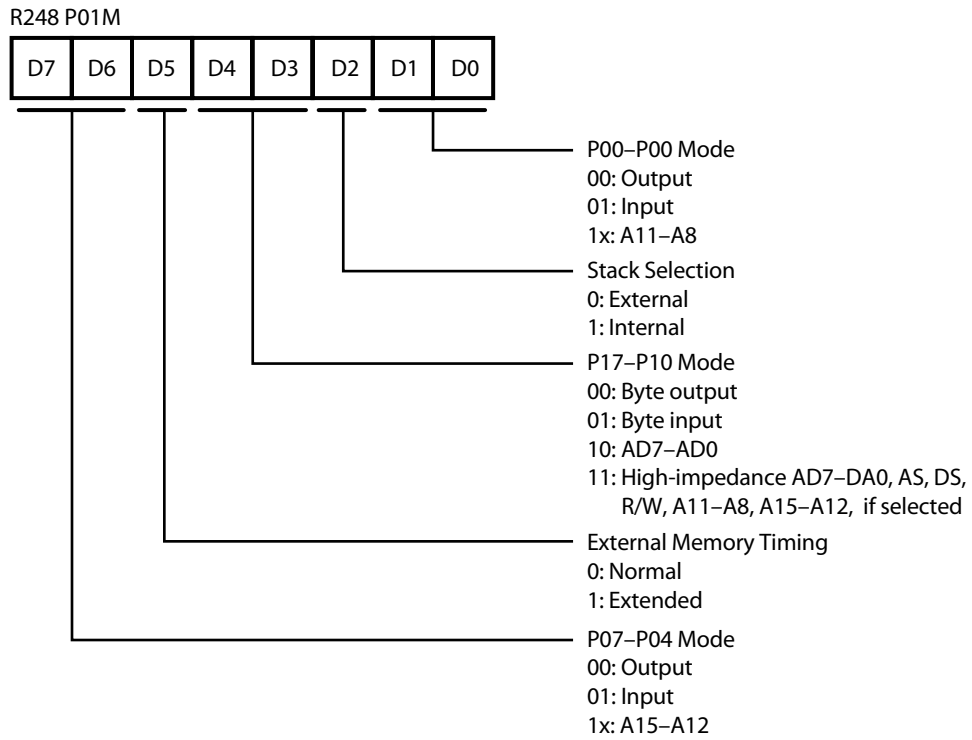
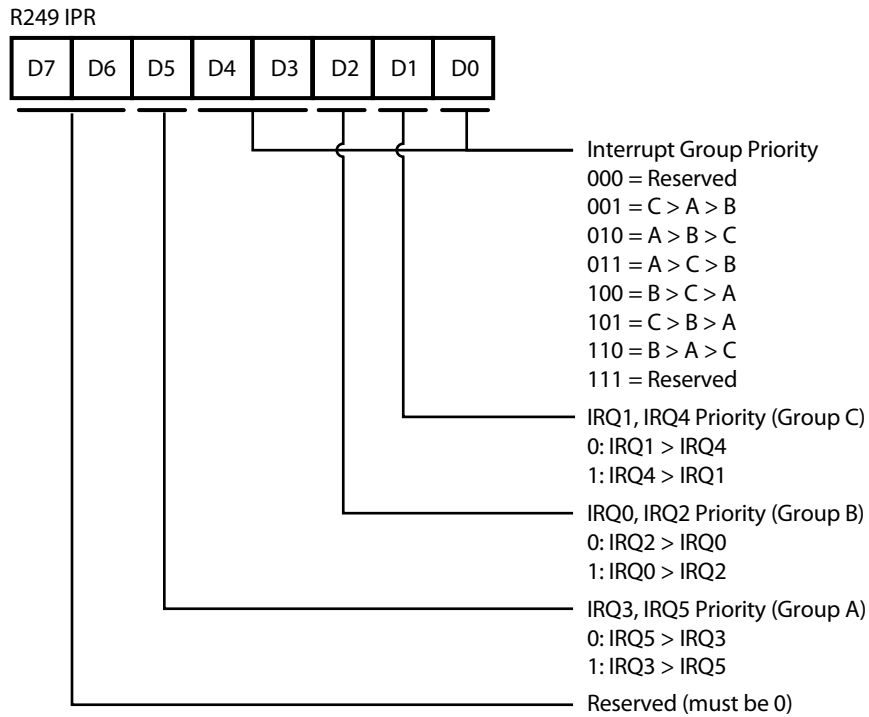
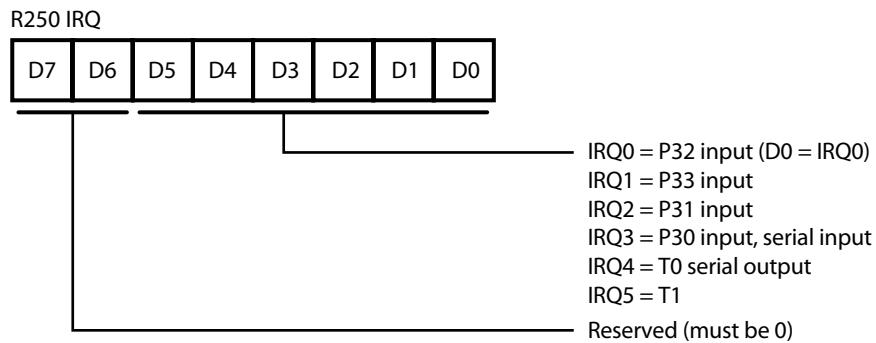


Figure 39. Port 0 and 1 Mode Register (F8H: Write Only)

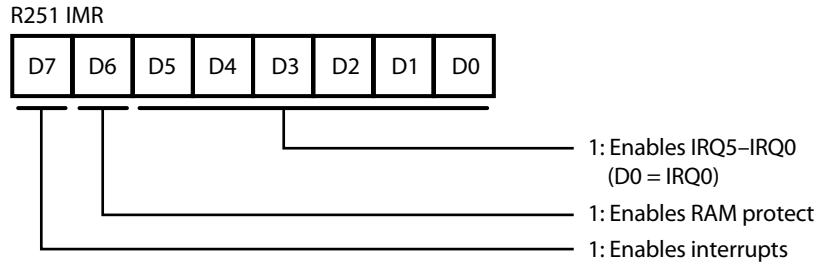


**Figure 40. Interrupt Priority Register (F9H: Write Only)**

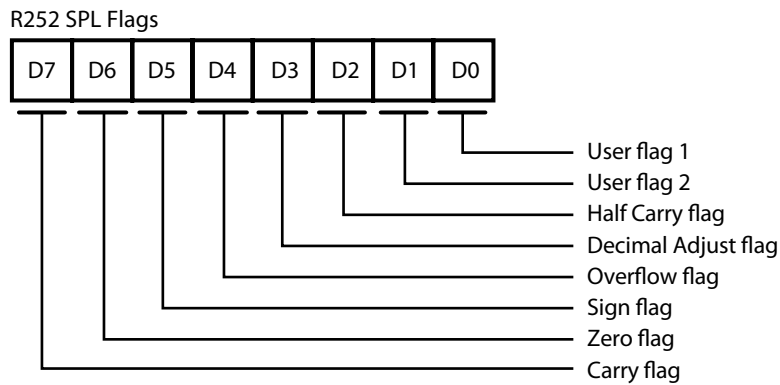


**Figure 41. Interrupt Request Register (FAH: Read/Write)**

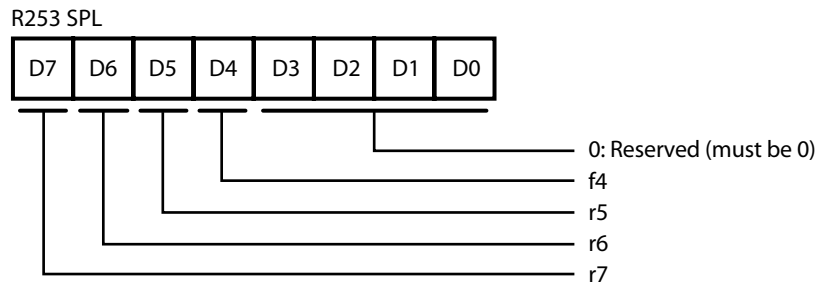




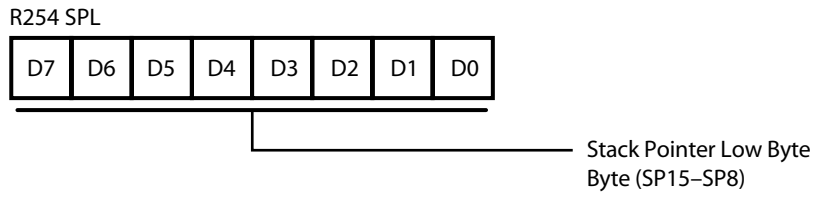
**Figure 42. Interrupt Mask Register (FBH: Read/Write)**



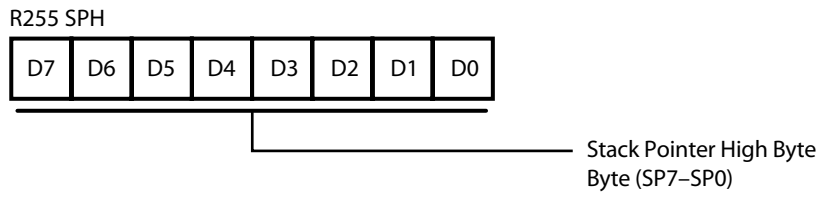
**Figure 43. Flag Register (FCH: Read/Write)**



**Figure 44. Register Pointer Register (FDH: Read/Write)**



**Figure 45. Stack Pointer Register (FEH: Read/Write)**



**Figure 46. Stack Pointer Register (FFH: Read/Write)**

## Z8 Instruction Set

This section discusses the addressing modes, symbols, flags, condition codes and instruction formats that apply to the Z8 instruction set. A summary of the Z8 instruction set follows [on page 55](#).

The notations listed in Table 40 are used to describe addressing modes and instruction operations.

**Table 40. Instruction Set Notation**

| Notation | Definition  |
|----------|---|
| IRR      | Indirect register pair or indirect working register pair address. |
| Irr      | Indirect working register pair only.                              |
| X        | Indexed address.  |
| DA       | Direct address.   |
| RA       | Relative address.   |
| IM       | Immediate.  |
| R        | Register or working register address.                             |
| r        | Working register address only.                                    |
| IR       | Indirect register or indirect working register address.           |
| Ir       | Indirect working register address only.                           |
| RR       | Register pair or working register pair address.                   |

The symbols listed in Table 41 are used to describe the Z8 instruction set.

**Table 41. Instruction Set Symbols**

| Symbol | Definition                            |
|--------|---------------------------------------|
| dst    | Destination location or contents.     |
| src    | Source location or contents.          |
| cc     | Condition code.                       |
| @      | Indirect address prefix.              |
| SP     | Stack Pointer.                        |
| PC     | Program Counter.                      |
| FLAGS  | Flag Register (Control Register 252). |
| RP     | Register Pointer (R253).              |
| IMR    | Interrupt Mask Register (R251).       |

Control Register R252 contains the six flags shown in Table 42.

**Table 42. R252 Flags**

| Symbol | Definition           |
|--------|----------------------|
| C      | Carry flag.          |
| Z      | Zero flag.           |
| S      | Sign flag.           |
| V      | Overflow flag.       |
| D      | Decimal Adjust flag. |
| H      | Half Carry flag.     |

The flags in Table 42 can be affected by the symbols defined in Table 43.

**Table 43. R252 Flags**

| Symbol | Definition                           |
|--------|--------------------------------------|
| 0      | Clear to zero.                       |
| 1      | Set to one.                          |
| *      | Set to clear according to operation. |
| —      | Unaffected.                          |
| x      | Undefined.                           |

Table 44 defines the flags that are set for each condition code value.

**Table 44. Condition Codes**

| Value | Mnemonic | Definition                  | Flags Set                                |
|-------|----------|-----------------------------|--|
| 0000  | F        | Never True (Always False)   |  |
| 0001  | LT       | Less Than                   | $(S \text{ XOR } V) = 1$                 |
| 0010  | LE       | Less Than Or Equal To       | $[Z \text{ OR } (S \text{ XOR } V)] = 1$ |
| 0011  | ULE      | Unsigned Less Than Or Equal | $(C \text{ OR } Z) = 1$                  |
| 0100  | OV       | Overflow                    | $V = 0$                                  |
| 0101  | MI       | Minus                       | $S = 1$                                  |
| 0110  | EQ       | Equal                       | $Z = 1$                                  |
| 0110  | Z        | Zero                        | $Z = 1$                                  |
| 0111  | C        | Carry                       | $C = 1$                                  |

**Table 44. Condition Codes (Continued)**

| <b>Value</b> | <b>Mnemonic</b> | <b>Definition</b>                 | <b>Flags Set</b>                         |
|--------------|-----------------|-----------------------------------|--|
| 0111         | ULT             | Unsigned Less Than                | $C = 1$                                  |
| 1000         |                 | Always True                       |  |
| 1001         | GE              | Greater Than Or Equal To          | $(S \text{ XOR } V) = 0$                 |
| 1010         | GT              | Greater Than                      | $[Z \text{ OR } (S \text{ XOR } V)] = 0$ |
| 1011         | UGT             | Unsigned Greater Than             | $(C = 0 \text{ AND } Z = 0) = 1$         |
| 1100         | NOV             | No Overflow                       | $V = 0$                                  |
| 1101         | PL              | Plus                              | $S = 0$                                  |
| 1110         | NE              | Not Equal                         | $Z = 0$                                  |
| 1110         | NZ              | Not Zero                          | $Z = 0$                                  |
| 1111         | NC              | No Carry                          | $C = 0$                                  |
| 1111         | UGE             | Unsigned Greater Than Or Equal To | $C = 0$                                  |

## Instruction Formats

Figure 47 shows the one-, two- and three-byte formats used in the Z8 instruction set.

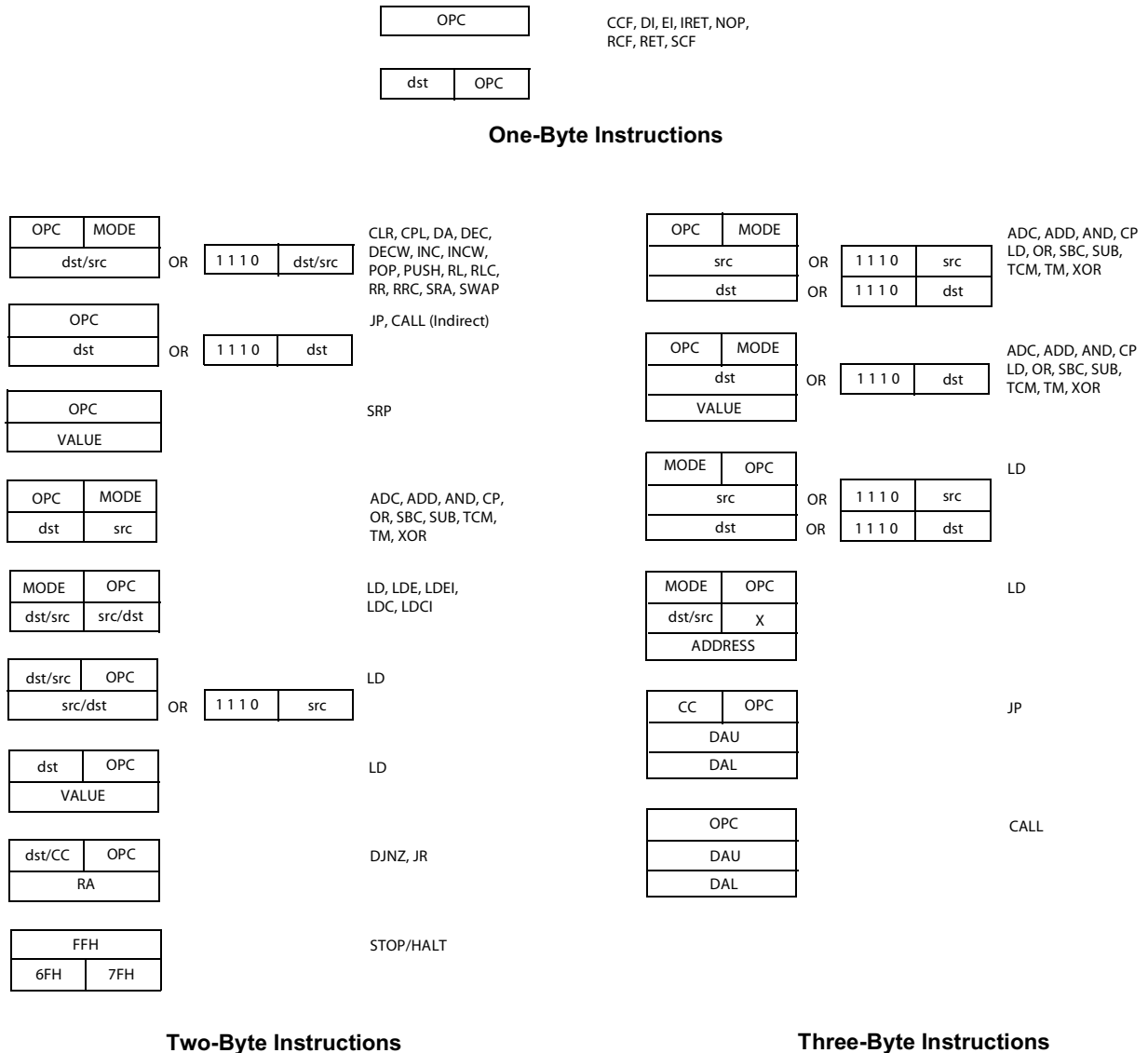


Figure 47. Instruction Formats

## Instruction Summary

Table 45 summarizes each Z8 instruction by its operation, addressing mode, operation code, and the flag(s) each instruction affects.

**Table 45. Instruction Summary**

| Instruction and Operation                             | Address Mode |     | Op Code Byte<br>(Hex) | Flags Affected |   |   |   |   |   |
|---|--------------|-----|-----------------------|----------------|---|---|---|---|---|
|   | dst          | src |                       | C              | Z | S | V | D | H |
| <b>ADC</b> dst, src<br>dst ← dst + src + C            | See Note 1   |     | 1[]                   | *              | * | * | * | 0 | * |
| <b>ADD</b> dst, src<br>dst ← dst + src                | See Note 1   |     | 0[]                   | *              | * | * | * | 0 | * |
| <b>AND</b> dst, src<br>dst ← dst AND src              | See Note 1   |     | 5[]                   | –              | * | * | 0 | – | – |
| <b>CALL</b> dst<br>SP ← SP – 2 @ SP ← PC,<br>PC ← dst | DA<br>IRR    |     | 06<br>D4              | –              | – | – | – | – | – |
| <b>CCF</b><br>C ← NOT C                               |              |     | EF                    | *              | – | – | – | – | – |
| <b>CLR</b> dst<br>dst ← 0                             | R<br>IR      |     | B0<br>B11             | –              | – | – | – | – | – |
| <b>COM</b> dst<br>dst ← NOT dst                       | R<br>IR      |     | 60<br>61              | –              | * | * | 0 | – | – |
| <b>CP</b> dst, src<br>dst – src                       | See Note 1   |     | A[]                   | *              | * | * | * | – | – |
| <b>DA</b> dst<br>dst ← DA dst                         | R<br>IR      |     | 40<br>41              | *              | * | * | X | – | – |
| <b>DEC</b> dst<br>dst ← dst – 1                       | R<br>IR      |     | 00<br>01              | –              | * | * | * | – | – |
| <b>DECW</b> dst<br>dst ← dst – 1                      | R<br>IR      |     | 80<br>81              | –              | * | * | * | – | – |
| <b>DI</b><br>IMR(7) ← 0                               |              |     | 8F                    | –              | – | – | – | – | – |

Note: These instructions have an identical set of addressing modes, which are encoded for brevity. The first Op Code nibble is found in this instruction set table. The second nibble is expressed symbolically by a '[' ]' in this table, and its value is found on the left of the applicable addressing mode pair in the Op Code Map in Figure 48.

For example, the op code of an ADC instruction using the addressing modes r (destination) and Ir (source) is 13.

Table 45. Instruction Summary (Continued)

| Instruction and Operation   | Address Mode |     | Op Code Byte<br>(Hex) | Flags Affected |   |   |   |   |   |
|---|--------------|-----|-----------------------|----------------|---|---|---|---|---|
|   | dst          | src |                       | C              | Z | S | V | D | H |
| <b>DJNZ</b> r, dst<br>r ← r - 1<br>if r ≠ 0<br>PC ← PC + dst<br>Range: +127, -128     | RA           |     | rA<br>r = 0 - F       | -              | - | - | - | - | - |
| <b>EI</b><br>IRM(7) ← 1   |              |     | BF                    | *              | * | * | * | * | * |
| <b>HALT</b>   |              |     | 7F                    | -              | - | - | - | - | - |
| <b>INC</b> dst<br>dst ← dst + 1   | r            |     | rE<br>r = 0 - F       | -              | * | * | * | - | - |
|   | R            |     | 20                    |                |   |   |   |   |   |
|   | IR           |     | 21                    |                |   |   |   |   |   |
| <b>INCW</b> dst<br>dst ← dst + 1  | RR           |     | A0                    | -              | * | * | * | - | - |
|   | IR           |     | A1                    |                |   |   |   |   |   |
| <b>IRET</b><br>FLAGS ← @SP;<br>SP ← SP + 1<br>PC ← @SP;<br>SP ← SP + 2;<br>IMR(7) ← 1 |              |     | BF                    | *              | * | * | * | * | * |
| <b>JP</b> cc, dst<br>if cc is true,<br>PC ← dst                                       | DA           |     | cD<br>c = 0 - F       | -              | - | - | - | - | - |
|   | IRR          |     | 30                    |                |   |   |   |   |   |
| <b>JR</b> cc, dst<br>if cc is true,<br>PC ← PC + dst<br>Range: +127, -128             | RA           |     | cB<br>c = 0 - F       | -              | - | - | - | - | - |

Note: These instructions have an identical set of addressing modes, which are encoded for brevity. The first Op Code nibble is found in this instruction set table. The second nibble is expressed symbolically by a '[' ]' in this table, and its value is found on the left of the applicable addressing mode pair in the Op Code Map in Figure 48.

For example, the op code of an ADC instruction using the addressing modes r (destination) and Ir (source) is 13.



Table 45. Instruction Summary (Continued)

| Instruction and Operation                                      | Address Mode |     | Op Code Byte<br>(Hex) | Flags Affected |   |   |   |   |   |
|--|--------------|-----|-----------------------|----------------|---|---|---|---|---|
|  | dst          | src |                       | C              | Z | S | V | D | H |
| <b>LD</b> dst, src<br>dst ← src                                | r            | Im  | rC                    | -              | - | - | - | - | - |
|  | r            | R   | r8                    |                |   |   |   |   |   |
|  | R            | r   | r9                    |                |   |   |   |   |   |
|  |              |     | r = 0 – F             |                |   |   |   |   |   |
|  | r            | X   | C7                    |                |   |   |   |   |   |
|  | X            | r   | D7                    |                |   |   |   |   |   |
|  | r            | lr  | E3                    |                |   |   |   |   |   |
|  | lr           | r   | F3                    |                |   |   |   |   |   |
|  | R            | R   | E4                    |                |   |   |   |   |   |
|  | R            | IR  | E5                    |                |   |   |   |   |   |
| R  | IM           | E6  |                       |                |   |   |   |   |   |
| IR   | IM           | E7  |                       |                |   |   |   |   |   |
| IR   | R            | F5  |                       |                |   |   |   |   |   |
| <b>LDC</b> dst, src<br>dst ← src                               | r            | lrr | C2                    | -              | - | - | - | - | - |
| <b>LDCI</b> dst, src<br>dst ← src<br>r ← r + 1;<br>rr ← rr + 1 | lr           | lrr | C3                    | -              | - | - | - | - | - |
| <b>NOP</b>   |              |     | FF                    | -              | - | - | - | - | - |
| <b>OR</b> dst, src<br>dst ← dst OR src                         | See Note 1   |     | 4[ 1                  | -              | * | * | 0 | - | - |
| <b>POP</b><br>dst ← @SP;<br>SP ← SP + 1                        | R            |     | 50                    | -              | - | - | - | - | - |
|  | IR           |     | 51                    |                |   |   |   |   |   |
| <b>PUSH</b> src<br>SP ← SP – 1;<br>@SP ← src                   | R            |     | 70                    | -              | - | - | - | - | - |
|  | IR           |     | 71                    |                |   |   |   |   |   |
| <b>RCF</b><br>C ← 0  |              |     | CF                    | 0              | - | - | - | - | - |
| <b>RET</b><br>PC ← @SP;<br>SP ← SP + 2                         |              |     | AF                    | -              | - | - | - | - | - |
| <b>RL</b> dst  | R            |     | 90                    | *              | * | * | * | - | - |
|  | IR           |     | 91                    |                |   |   |   |   |   |

Note: These instructions have an identical set of addressing modes, which are encoded for brevity. The first Op Code nibble is found in this instruction set table. The second nibble is expressed symbolically by a '[' ]' in this table, and its value is found on the left of the applicable addressing mode pair in the Op Code Map in Figure 48.

For example, the op code of an ADC instruction using the addressing modes r (destination) and lr (source) is 13.

Table 45. Instruction Summary (Continued)

| Instruction and Operation                   | Address Mode |     | Op Code Byte<br>(Hex) | Flags Affected |   |   |   |   |   |
|---|--------------|-----|-----------------------|----------------|---|---|---|---|---|
|   | dst          | src |                       | C              | Z | S | V | D | H |
| <b>RLC</b> dst                              | R            |     | 10                    | *              | * | * | * | - | - |
|   | IR           |     | 11                    |                |   |   |   |   |   |
| <b>RR</b> dst                               | R            |     | E0                    | *              | * | * | * | - | - |
|   | IR           |     | E1                    |                |   |   |   |   |   |
| <b>RRC</b> dst                              | R            |     | C0                    | *              | * | * | * | - | - |
|   | IR           |     | C1                    |                |   |   |   |   |   |
| <b>SBC</b> dst, src<br>dst ← dst ← src ← C  | See Note 1   |     | 3[]                   | *              | * | * | * | 1 | * |
| <b>SCF</b><br>C ← 1                         |              |     | DF                    | 1              | - | - | - | - | - |
| <b>SRA</b> dst                              | R            |     | D0                    | *              | * | * | 0 | - | - |
|   | IR           |     | D1                    |                |   |   |   |   |   |
| <b>SRP</b> dst<br>RP ← src                  | Im           |     | 31                    | -              | - | - | - | - | - |
| <b>STOP</b>                                 |              |     | 6F                    | 1              | - | - | - | - | - |
| <b>SUB</b> dst, src<br>dst ← dst ← src      | See Note 1   |     | 2[]                   | [              | [ | [ | [ | 1 | [ |
| <b>SWAP</b> dst                             | R            |     | F0                    | X              | * | * | X | - | - |
|   | IR           |     | F1                    |                |   |   |   |   |   |
| <b>TCM</b> dst, src<br>(NOT dst)<br>AND src | See Note 1   |     | 6[]                   | -              | * | * | 0 | - | - |
| <b>TM</b> dst, src<br>dst AND src           | See Note 1   |     | 7[]                   | -              | * | * | 0 | - | - |
| <b>XOR</b> dst, src<br>dst ← dst<br>XOR src | See Note 1   |     | B[]                   | -              | * | * | 0 | - | - |

Note: These instructions have an identical set of addressing modes, which are encoded for brevity. The first Op Code nibble is found in this instruction set table. The second nibble is expressed symbolically by a '[' ]' in this table, and its value is found on the left of the applicable addressing mode pair in the Op Code Map in Figure 48.

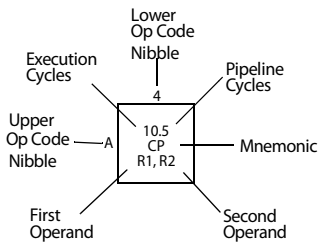
For example, the op code of an ADC instruction using the addressing modes r (destination) and Ir (source) is 13.

## Op Code Map

Figure 48 shows a map of the Z86E61/Z86E63 MCU's operational codes.

|                    |   | Lower Nibble (Hex)    |                        |                        |                          |                       |                        |                       |                         |                     |                     |                           |                        |                     |                         |                  |             |                        |
|--------------------|---|-----------------------|------------------------|------------------------|--------------------------|-----------------------|------------------------|-----------------------|-------------------------|---------------------|---------------------|---------------------------|------------------------|---------------------|-------------------------|------------------|-------------|------------------------|
|                    |   | 0                     | 1                      | 2                      | 3                        | 4                     | 5                      | 6                     | 7                       | 8                   | 9                   | A                         | B                      | C                   | D                       | E                | F           |                        |
| Upper Nibble (Hex) | 0 | 6.6<br>DEC<br>R1      | 6.5<br>DEC<br>IR1      | 6.5<br>ADD<br>r1, r2   | 8.5<br>ADD<br>r1, lr2    | 10.5<br>ADD<br>R2,R1  | 10.5<br>ADD<br>IR2, R1 | 10.5<br>ADD<br>R1, 1M | 10.5<br>ADD<br>R1, 1M   | 6.5<br>LD<br>r1, R2 | 6.5<br>LD<br>r2, R1 | 12/10.5<br>DJNZ<br>r1, RA | 12/0.0<br>JA<br>cc, RA | 6.5<br>LD<br>R1, 1M | 12/10.0<br>JP<br>cc, DA | 6.5<br>INC<br>r1 |             |                        |
|                    | 1 | 6.5<br>RLC<br>R1      | 6.5<br>RLC<br>IR1      | 6.5<br>ADC<br>r1, r2   | 6.5<br>ADC<br>r1, lr2    | 10.5<br>ADC<br>R2, R1 | 10.5<br>ADC<br>IR2, R1 | 10.5<br>ADC<br>R1, 1M | 10.5<br>ADC<br>R1, 1M   |                     |                     |                           |                        |                     |                         |                  |             |                        |
|                    | 2 | 6.5<br>INC<br>R1      | 6.6<br>WC<br>IR1       | 6.5<br>SUB<br>r1, r2   | 0.5<br>SUB<br>r1, lr2    | 10.5<br>SUB<br>R2, R1 | 10.5<br>SUB<br>IR2, R1 | 10.5<br>SUB<br>R2, 1M | 10.5<br>BUB<br>IR1, 1M  |                     |                     |                           |                        |                     |                         |                  |             |                        |
|                    | 3 | 6.5<br>JP<br>IRR1     | 6.1<br>SRP<br>1M       | 6.5<br>SBC<br>r1, r2   | 6.5<br>OR<br>r1, lr2     | 10.5<br>SBC<br>R2, R1 | 10.5<br>SBC<br>IR2, R1 | 10.5<br>SBC<br>R1, 1M | 10.5<br>SBC<br>IR1, 1M  |                     |                     |                           |                        |                     |                         |                  |             |                        |
|                    | 4 | 8.5<br>DA<br>R1       | 8.5<br>DA<br>IR1       | 6.5<br>OR<br>r1, r2    | 6.5<br>OR<br>r1, lr2     | 10.5<br>OR<br>R2, R1  | 10.5<br>OR<br>IR2, R1  | 10.5<br>OR<br>R1, 1M  |                         |                     |                     |                           |                        |                     |                         |                  |             |                        |
|                    | 5 | 10.5<br>POP<br>R1     | 10.5<br>POP<br>IR1     | 6.5<br>AND<br>r1, r2   | 6.5<br>AND<br>r1, lr2    | 10.5<br>AND<br>R2, R1 | 10.5<br>AND<br>IR2, R1 | 10.5<br>AND<br>R1, 1M | 10.5<br>TCM<br>IR1, 1M  |                     |                     |                           |                        |                     |                         |                  |             |                        |
|                    | 6 | 6.5<br>COM<br>R1      | 6.5<br>COM<br>IR1      | 6.5<br>TCM<br>r1, r2   | 6.5<br>TCM<br>r1, lr2    | 10.5<br>TCM<br>R2, R1 | 10.5<br>TCM<br>IR2, R1 | 10.5<br>TCM<br>R1, 1M | 10.5<br>TCM<br>IR1, 1M  |                     |                     |                           |                        |                     |                         |                  | 6.0<br>STOP |                        |
|                    | 7 | 10/12.1<br>PUSH<br>R2 | 10/12.1<br>PUSH<br>IR2 | 6.5<br>TM<br>r1, r2    | 6.5<br>TM<br>r1, lr2     | 10.5<br>TM<br>R2, R1  | 10.5<br>TM<br>IR2, R1  | 10.5<br>TM<br>R1, 1M  | 10.5<br>TM<br>IR1, 1M   |                     |                     |                           |                        |                     |                         |                  |             | 7.0<br>HALT            |
|                    | 8 | 10.5<br>DECW<br>RR1   | 10.5<br>DECW<br>IR1    | 12.0<br>LDE<br>r1, lr2 | 18.0<br>LDEI<br>r1, lr2  |                       |                        |                       |                         |                     |                     |                           |                        |                     |                         |                  |             | 6.1<br>DI              |
|                    | 9 | 6.5<br>RL<br>R1       | 6.5<br>RL<br>IR1       | 12.0<br>LDE<br>r1, lr2 | 18.0<br>LDEI<br>r1, lr2  |                       |                        |                       |                         |                     |                     |                           |                        |                     |                         |                  |             | 6.1<br>EI              |
|                    | A | 10.5<br>INCW<br>RR1   | 10.5<br>INCW<br>IR1    | 6.5<br>CP<br>r1, r2    | 6.5<br>CP<br>r1, lr2     | 10.5<br>CP<br>R2, R1  | 10.5<br>CP<br>IR2, R1  | 10.5<br>CP<br>R1, 1M  | 10.5<br>CP<br>IR1, 1M   |                     |                     |                           |                        |                     |                         |                  |             | 14.0<br>RET            |
|                    | B | 6.5<br>CLR<br>R1      | 6.5<br>CLR<br>IR1      | 6.5<br>XOR<br>r1, r2   | 6.5<br>XOR<br>r1, lr2    | 10.5<br>XOR<br>R2, R1 | 10.5<br>XOR<br>IR2, R1 | 10.5<br>XOR<br>R1, 1M | 10.5<br>XOR<br>IR1, 1M  |                     |                     |                           |                        |                     |                         |                  |             | 16.0<br>IRET           |
|                    | C | 6.5<br>RRC<br>R1      | 6.5<br>RRC<br>IR1      | 12.0<br>LDC<br>r1, lr2 | 18.0<br>LDC<br>lr1, lr2  |                       |                        |                       |                         |                     |                     |                           |                        |                     |                         |                  |             | 6.5<br>LD<br>r1, x, R2 |
|                    | D | 6.5<br>SRA<br>R1      | 6.5<br>SRA<br>IR1      | 12.0<br>LDC<br>r1, lr2 | 18.0<br>LDCI<br>lr1, lr2 | 20.0<br>CALL*<br>IRR1 |                        | 20.0<br>CALL<br>DA    | 10.5<br>LD<br>42, x, R1 |                     |                     |                           |                        |                     |                         |                  |             | 6.5<br>SCF             |
|                    | E | 6.5<br>RR<br>R1       | 6.5<br>RR<br>IR1       |                        | 6.5<br>LD<br>r1, IR2     | 10.5<br>LD<br>R2, R1  | 10.5<br>LD<br>IR2, R1  | 10.5<br>LD<br>R1, 1M  | 10.5<br>LD<br>IR1, 1M   |                     |                     |                           |                        |                     |                         |                  |             | 6.5<br>CCF             |
|                    | F | 8.5<br>SWAP<br>R1     | 8.5<br>SWAP<br>IR1     |                        | 6.5<br>LD<br>lr1, r2     |                       | 10.5<br>LD<br>R2, IR1  |                       |                         |                     |                     |                           |                        |                     |                         |                  |             | 6.0<br>NOP             |

Bytes per instruction: 2, 3, 2, 3, 1



**Legend:**  
R = 8-bit address  
r = 4-bit address  
R1 or r1 = dst address  
R2 or r2 = src address

**Sequence:**  
Op code, first operand, second operand

**Note:** \*The 2-byte instruction appears as a 3-byte instruction; blank areas are not defined.

Figure 48. Op Code Map

## Packaging

Zilog's Z86E61 and Z86E63 MCUs are available in the following packages:

- 40-pin Plastic Dual Inline Package (PDIP)
- 44-pin Low-Profile Quad Flat Package (LQFP)
- 44-pin Plastic Chip Carrier (PLCC)

Current diagrams for each of these packages are published in Zilog's [Packaging Product Specification \(PS0072\)](#), which is available free for download from the Zilog website.

## Ordering Information

Order your Z86E61/Z86E63 MCU products from Zilog using the part numbers shown in Table 46. For more information about ordering, please consult your local Zilog sales office. The [Sales Location page](#) on the Zilog website lists all regional offices.

**Table 46. Z86E61/Z86E63 MCU Ordering Matrix**

| Part Number       | Frequency | Package     | Temperature Range |
|-------------------|-----------|-------------|-------------------|
| <b>Z86E61 MCU</b> |           |             |                   |
| Z86E6116PSG       | 16MHz     | 40-pin PDIP | 0°C to +70°C      |
| Z86E6116VSG       | 16MHz     | 44-pin PLCC | 0°C to +70°C      |
| Z86E6116ASG       | 16MHz     | 44-pin LQFP | 0°C to +70°C      |
| Z86E6120PSG       | 20MHz     | 40-pin PDIP | 0°C to +70°C      |
| Z86E6120VSG       | 20MHz     | 44-pin PLCC | 0°C to +70°C      |
| Z86E6120ASG       | 20MHz     | 44-pin LQFP | 0°C to +70°C      |
| <b>Z86E63 MCU</b> |           |             |                   |
| Z86E6316PSG       | 16MHz     | 40-pin PDIP | 0°C to +70°C      |
| Z86E6316VSG       | 16MHz     | 44-pin PLCC | 0°C to +70°C      |
| Z86E6316ASG       | 16MHz     | 44-pin LQFP | 0°C to +70°C      |
| Z86E6320PSG       | 20MHz     | 40-pin PDIP | 0°C to +70°C      |
| Z86E6320VSG       | 20MHz     | 44-pin PLCC | 0°C to +70°C      |
| Z86E6320ASG       | 20MHz     | 44-pin LQFP | 0°C to +70°C      |

## Part Number Suffix Designations

Zilog part numbers consist of a number of components. For the Z86E61/Z86E63 MCU, these components are:

### Environmental Flow

G = Lead-Free Packaging

### Temperature Range

S = 0°C to +70°C

### Package

P = 40-pin Plastic DIP (PDIP)

V = 44-pin Plastic Chip Carrier (PLCC)

A = 44-pin Low-Profile Quad Flat Package (LQFP)

### Frequency

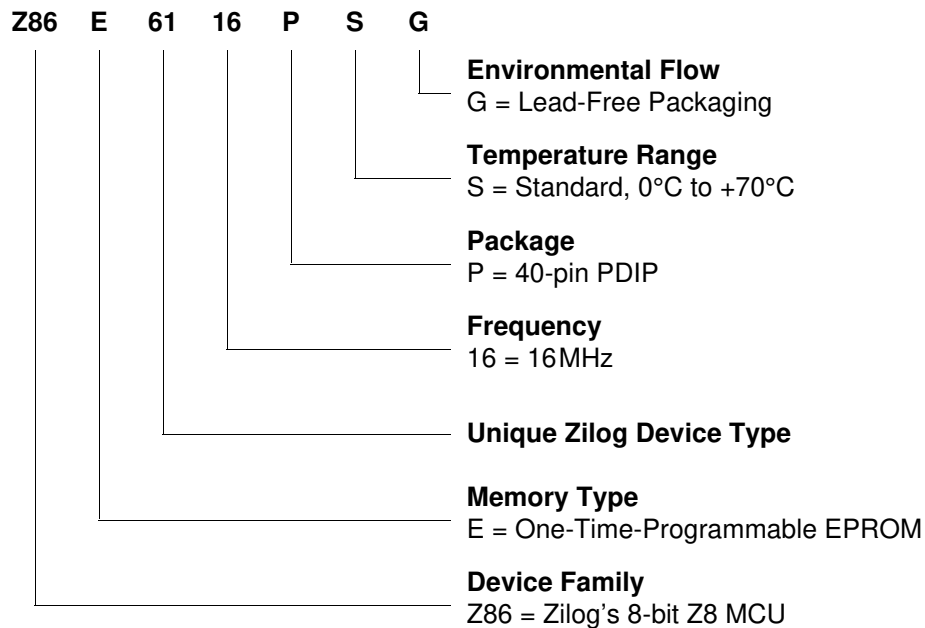
16 = 16MHz

20 = 20MHz

### Memory Type

E = One-Time-Programmable EPROM

**Example.** Part number Z86E6116PSC is an 8-bit Z8-powered MCU operating at a 16MHz frequency in a 40-pin PDIP package, operating within a 0°C to +70°C temperature range and built using lead-free solder.



## Customer Support

To share comments, get your technical questions answered, or report issues you may be experiencing with our products, please visit Zilog's Technical Support page at <http://support.zilog.com>.

To learn more about this product, find additional documentation, or to discover other facts about Zilog product offerings, please visit the Zilog Knowledge Base at <http://zilog.com/kb> or consider participating in the Zilog Forum at <http://zilog.com/forum>.

This publication is subject to replacement by a later edition. To determine whether a later edition exists, please visit the Zilog website at <http://www.zilog.com>.