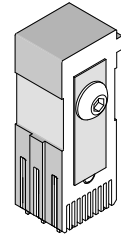


**Impact™  
Backplane Module  
Installation  
Press-In Tool**

**molex**

**Application Tooling  
Specification Sheet**



**Order No. 62201-8743**

## FEATURES

- Tool provides uniform distribution of press force across entire pin array
- May be used as a stand-alone tool or mounted in an optional holder with other Molex press-in tools

## SCOPE

**Products:** Impact™ Orthogonal Backplane Signal Module Assembly, 76855 and 76856 Series, (3-Pair by 6 Column Assemblies). See Product List below for specific part numbers.

## Product List

The following is a partial list of the product order numbers and their specifications this tool is designed to run. Updates to this list are available on [www.molex.com](http://www.molex.com).

76855 Series Numbers							
Guide Style	Columns	Assembly Order Number					
Open Wall	6	76855-0604	76855-0605	76855-0607	76855-0608	76855-1604	76855-1605
		76855-1607	76855-1608				
Dual End	6	76855-0624	76855-0625	76855-0627	76855-0628	76855-1624	76855-1625
		76855-1627	76855-1628				
Left End	6	76855-2604	76855-2605	76855-2607	76855-2608	76855-3604	76855-3605
		76855-3607	76855-3608	76855-6604	76855-6605	76855-6607	76855-6608
		76855-7604	76855-7605	76855-7607	76855-7608		
Right End	6	76855-4604	76855-4605	76855-4607	76855-4608	76855-5604	76855-5605
		76855-5607	76855-5608	76855-8604	76855-8605	76855-8607	76855-8608
		76855-9604	76855-9605	76855-9607	76855-9608		

76856 Series Numbers							
Guide Style	Columns	Assembly Order Number					
Dual End	6	76856-0001					

## Tool Setup

Depending on the number of connectors to be installed and/or the press used, this tool can be used alone or with a group of press-in tools, mounted in a 62201-95XX rail (ordered separately). See Figure 1.

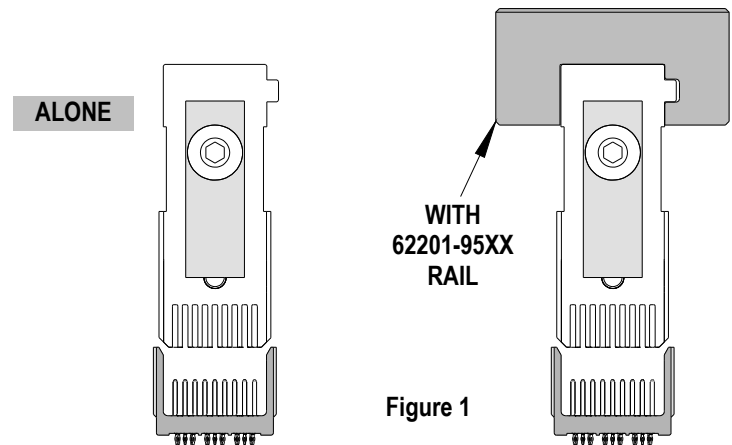


Figure 1

## Tool Installation

The 62201-95XX rail is available in a variety of lengths to accommodate multiple press-in tools.

Rail Part Number	Rail Overall Length
62201-9501	24mm (0.94 in)
62201-9502	72mm (2.83 in)
62201-9503	156mm (6.14 in)
62201-9504	216mm (8.50 in)
62201-9509	254mm (10.0 in)
62201-9511	305mm (12.0 in)

Reference: This Press-In Tool is 12.0mm (0.47in.) long.

## Printed Circuit Board (PCB) Support

The Impact™ connectors require up to 3.6kg (8 lb) of force per pin to press into the PCB. To prevent excessive PCB flexure and/or damage to the PCB, a support plate is strongly recommended directly beneath the connector hole pattern.

Due to the custom nature of every application, Molex does not offer any PCB support plate. The customer must furnish their own support plate.

When creating the PCB support plate, remember to allow clearance for the connector pins as they pass through the PCB thickness.

## Press Equipment Recommendations

Many types of presses can be used to install Impact™ connectors, but to assure consistent connector installation Molex recommends the following press criteria:

1. The capability to detect force variations as low as 4.5kg (10 lb) during the press-in cycle; excessive force measurements should stop the press-in cycle.
2. The rate of pressing can be regulated as low as 0.13mm (0.005 in) per second.
3. Press stroke control to within 0.25mm (0.010 in).
4. Total press stroke must be at least 19mm (0.75 in).
5. For statistical purposes, automatic collection of force and distance data.

## Tool Operation

1. Insert by hand the backplane signal module assembly (s) carefully into the PCB hole pattern. Make sure the connector(s) are oriented properly by confirming the location of the #1 circuit notch with respect to the PCB layout.
2. Insert the Press-In Tool making sure that the notch in this tool is inserted into the slot on the connector housing. See Figure 2.
3. Using the application tool and an appropriate press, seat the header assembly until there is less than 0.10mm (.004 in) clearance between the bottom of the plastic housing and the surface of the PCB. See Figure 3.

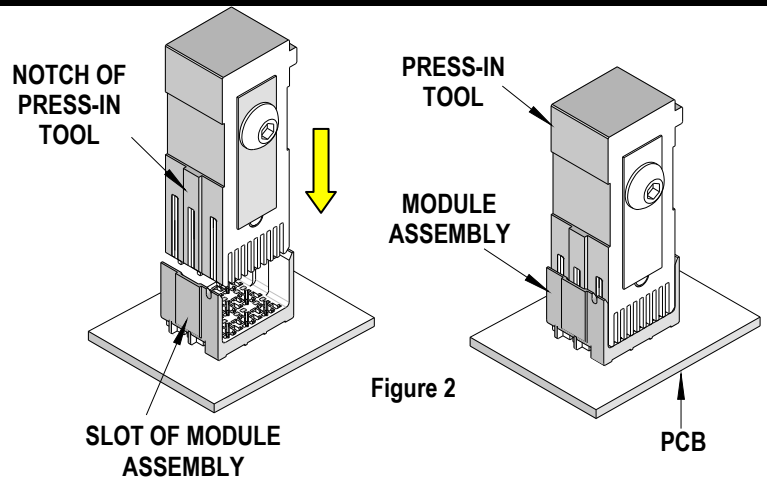


Figure 2

There should be no broken stand-offs along the perimeter of the part (an indication of over-pressing).

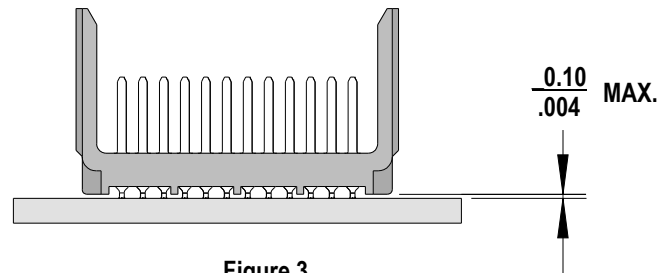


Figure 3

**CAUTION:** To prevent injury, never operate any press without the guards in place. Refer to the press manufacturer's instruction manual.

**CAUTION:** Molex application tooling specifications are valid only when used with Molex connectors and tooling.

## Contact Information

For more information on Molex application tooling please contact Molex at 1-800-786-6539.

<http://www.molex.com>