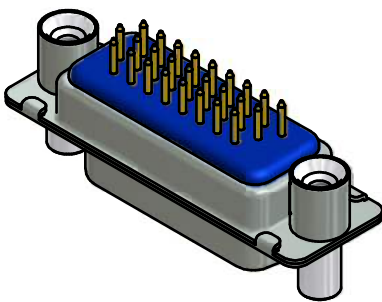
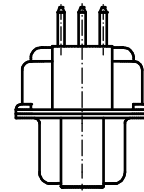
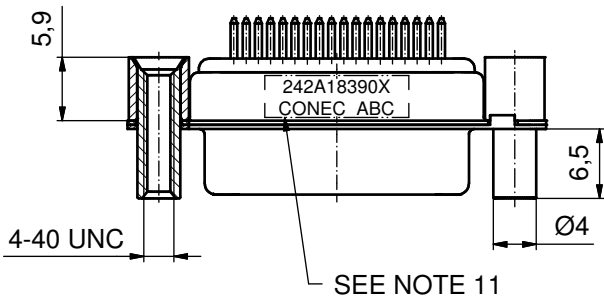
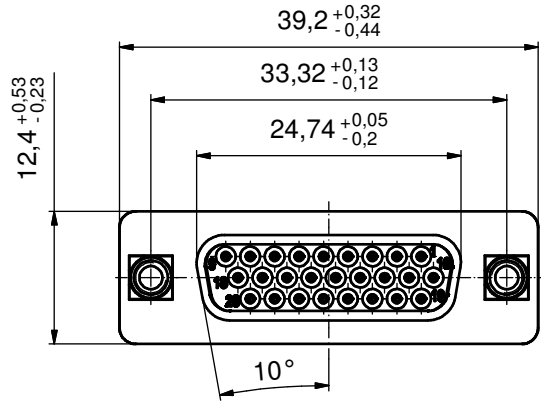
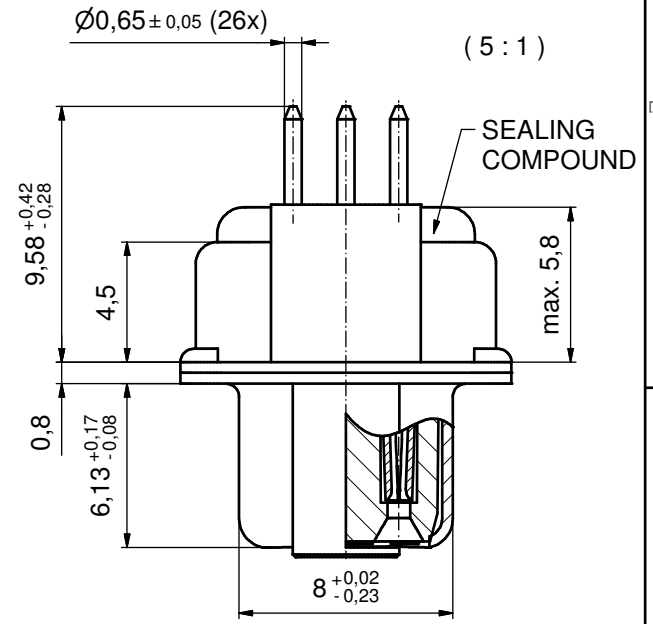


P.C.B. HOLE DRILLINGS
(P.C.B. TOP SIDE)



NOTES:

1. RoHS COMPLIANT
2. FOR WAVESOLDERING (SOLDER BATH TEMPERATURE 260°C FOR 5 SEC. AND SOLDER PREHEAT 100°C FOR 30 SEC.)
3. METALSHHELLS: STEEL; min. 315µm TIN over 40-80µm NICKEL
4. INSULATORS: HIGH TEMPERATURE PLASTIC UL 94 V-0; BLACK
5. CONTACTS: COPPER ALLOY
PLATING: GOLD FLASH over NICKEL
6. THREADED REAR SPACERS / FRONT THREADED LOCKS:
COPPER ALLOY; min. 200µm TIN over 80µm NICKEL
7. SLEEVES: COPPER ALLOY; min. 200µm TIN over 80µm NICKEL
8. CAPACITANCE: 370pF ± 20%
9. DIELECTRIC WITHSTANDING VOLTAGE: 300 VDC
10. MAXIMUM TORQUE VALUE FOR THREAD: 6 in.LB
11. CONNECTOR IS PART MARKED: 242A18390X CONEC ABC

Directive 2002/95/EC RoHS compliant

THIS DRAWING MAY NOT BE COPIED OR REPRODUCED IN ANY WAY, AND MAY NOT BE PASSED ON TO A THIRD PARTY WITHOUT WRITTEN PERMISSION. OWNERSHIP AND COPYRIGHT OF CONEC GmbH DO NOT ALTER CAD DRAWING BY HAND	tolerance		dim. in mm	scale: 2:1 (5:1)		
				material: SEE NOTES		
	date	name		title: D-SUB HD C FILTER FEMALE 26pos. SOLDER PIN STRAIGHT with threaded rear spacer and front threaded lock		
	drawn	16.12.11	Henneboel			
	appd.	16.12.11	Fischer			
norm			dwg no:			
d-old			24K1A1357			
a	Original			DIN-A3		
rev.	description			date	name	sh: 1
				part no:	242A18390X	