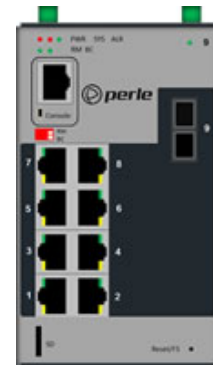


IDS-509G Managed Industrial Ethernet Switch with Gigabit Fiber

 perle.com/products/switches/ids-509g-industrial-managed-gigabit-switch.shtml

9 port Compact DIN Rail Switch

- 10/100/1000Base-T (RJ45) ports for Gigabit and Fast Ethernet devices
- 1000Base-X SC/ST fiber ports
- PRO feature set including advanced switching, encryption and [IEEE 1588 PTP](#)
- IP Manageability, VLAN and resiliency management
- Digital inputs for generation of alerts
- Compact, corrosion resistant case attaches to a standard DIN Rail
- Redundant dual power input 12/24/48 VDC, 24 VAC
- Out-of-band management via RJ45 or USB serial ports
- Programmable Controller safety and Hazardous Location Certification
- -40 to 75C industrial operating temperature (XT Models)



The **IDS-509G** is a **9 port Managed Ethernet Switch** that can operate in **industrial environments** providing advanced performance and enabling **real-time deterministic network operation**. Choose any combination of **10/100/1000-Base-T Ethernet copper ports** and **1000Base-X fiber ports** to meet the needs of your environment.

- 8 copper, 1 fixed SC/ST fiber port
- 7 copper, 2 fixed SC/ST fiber ports
- 6 copper, 3 fixed SC/ST fiber ports

In environments where **high levels of electromagnetic interference (EMI)** is a common phenomenon, like industrial plants, **utilizing fiber is critical**. EMI can cause data corruption over copper-based Ethernet links. Data transmitted over fiber optic cable is completely immune to this type of noise ensuring optimal data transmission across the plant floor.

With over 82 models, the Perle IDS-509G offers a choice of connectors, fiber types, temperature support and operating distances.

Perle **Industrial-grade Ethernet Switches** are designed to stand up to **extreme temperatures, surges, vibrations, and shocks** found in **industrial automation, government, military, oil and gas, mining and outdoor applications**.

The simple **Plug and Play** installation available in Perle's **Fast Setup feature** gets your Ethernet devices networked immediately. **CCNA** (Cisco Certified Network Associate) and **CCNP** (Cisco Certified Network Professional) trained engineers will appreciate the familiar **Command Line Interface (CLI)** via in-band Telnet or the out-band serial console port.

The **PRO feature set** in the IDS-305F is ideal for enterprise-grade level environments where additional extensive **security and network integration** functionality is required.

- [AAA \(Authentication, Authorization, Accounting \)](#) security protocols: RADIUS and TACACS+
- [Secure management sessions](#) via SSH, SNMPv3, Telnet and HTTPS
- [Management Access Lists](#) (ACL) by IP address and IP Port number
- [Password Strength Checking](#)
- [IEEE 802.1x Authentication and Port Security](#) for protection of user access ports
- Optimize the performance and intelligence of the network with [Advanced Protocols](#): LLDP, GVRP, Voice VLANs, MSTP, GMRP, IPv4 IGMP Snooping and IPv6 MLD Snooping

The **IDS-509G** supports a comprehensive set of management functions, such as [P-Ring](#), **management VLAN, QoS, RMON, N:1 port mirroring and local alert log**. In addition, the switch can be **managed with an IPv6 address**.

Hardened to provide superior reliability in **-10 to 60°C**, these are **rugged fan-less switches**. In addition, **every component** on every **industrial (XT) model** has been **designed and tested** to handle operating temperatures between **-40 and 75C**.

All Perle Industrial Ethernet Switches only use **high-end components** from the **leading chip manufacturers** to ensure the highest level of **durability and reliability**. In addition, all units have a corrosion resistance aluminum case and dual redundant power input with reverse polarity and overload protection.

Perle has been **designing industrial hardware** for **over 35 years** and have used this expertise to design the **toughest Ethernet switches on the market** that will keep your system running for years to come.

IDS-509G Industrial Managed DIN Rail Switch Features

Simple deployment	Zero-touch discovery using Dynamic Host Control Protocol (DHCP), Perle's "Fast Setup" for first time installation, provides simple deployment in Ethernet environments
Security	802.1X , port security , Secure Shell (SSHv2) ; SNMPv3 provides encrypted administrator traffic during CLI and SNMP sessions; TACACS+ and RADIUS authentication facilitate centralized control and restrict unauthorized users.
Resiliency	<ul style="list-style-type: none">• STP, RSTP and MSTP protocols for fast recovery.• Perle's P-Ring protocol for fast convergence in ring topologies• Link Standby is a link recovery feature for two links that provides a simple alternative to spanning tree protocols for link redundancy• Buffered Real Time Clock backup
Manageability	<ul style="list-style-type: none">• Web Device Manager, Telnet/SSH, HTTPS access, SNMP and Perle's PerleView NMS for centralized management• In-band management via RJ45 or USB serial port• Use an IPv4 or IPv6 address• Removable MicroSD flash for configuration files and firmware backup and restoration
Rugged design for harsh environments	<ul style="list-style-type: none">• Corrosion resistant case• Programmable Controller Safety certified• Certified for hazardous locations• Extended industrial temperature models
Reliable operation	<ul style="list-style-type: none">• Fan-less, no moving parts• Dual power input. Connect to separate power sources for redundancy.<ul style="list-style-type: none">◦ Reverse polarity protection◦ Overload current protection• Handles vibration and shock conditions found in industrial environments
Real-time	<ul style="list-style-type: none">• Fast wire-speed , store and forward switching

Ethernet performance	<ul style="list-style-type: none"> • Auto-sensing for speed and duplex • Auto-mdi/mdix-crossover works with straight and crossover cables
----------------------	---

Performance Features

Port Auto-sensing	Auto-sensing of port speed and auto-negotiation of duplex on all switch ports for optimizing bandwidth
Auto MDI/MDIX	Medium-dependent interface crossover (Auto-MDIX) capability on 10/100 and 10/100/1000 mbps interfaces that enables the interface to automatically detect the required cable type (straight thru or crossover) and to configure the connection appropriately
802.3x flow control	IEEE 802.3x flow control on all ports. (The switch does not initiate pause frames)
Link Aggregation protocol	Increase port bandwidth through link aggregation. Support is provided for IEEE 802.3ad using Link Aggregation Control Protocol (LACP). Up to eight (8) ports in a single port-channel
Static Link Aggregation	Provides the ability to operate under a static (manual) link aggregation scenario (where the remote switch peer does not support LACP)
Storm Control	Storm control prevents traffic on a LAN from being disrupted by a broadcast, multicast, or unicast storm on one of the physical interfaces. A LAN storm occurs when packets flood the LAN, creating excessive traffic and degrading network performance. Storm Control enables limits to be placed on broadcast, multicast and unicast traffic
Bandwidth Control Monitoring	Bandwidth Control provides the ability to monitor the flow rates on a per port basis and the ability to cause an SNMP trap to occur (selectable) and put the port in an "error-disabled" state
Static MAC Addressing	This feature enables the manual configuration of the MAC addresses on a per port basis. Flooding is prevented by retaining MAC entries across a reboot of the switch.
Port Blocking	Port Blocking provides the ability to block the flooding of unknown layer 2 unicast and multicast traffic on an Interface
IPv4 IGMP Snooping	<p>Internet Group Management Protocol (IGMP) constrains the flooding of multicast traffic by dynamically configuring Layer 2 interfaces so that multicast traffic is forwarded to only those interfaces associated with IP multicast devices.</p> <p>IGMPv1, v2, v3, IGMP snooping querier mode, IGMP report suppression, topology change notification and robustness variable features are supported</p>
IPv6 MLD Snooping	With Multicast Listener Discovery (MLD) snooping, IPv6 multicast data is selectively forwarded to a list of ports

that want to receive the data, instead of being flooded to all ports in a VLAN. This list is constructed by snooping IPv6 multicast control packets

GMRP

GARP Multicast Registration Protocol (GMRP) provides a constrained multicast flooding facility similar to IGMP snooping.

GMRP provides a mechanism that allows bridges and end stations to dynamically register group membership information with the MAC bridges attached to the same LAN segment and for that information to be disseminated across all bridges in the Bridged LAN that supports extended filtering services

Port Quick Disconnect

In some network environments, it is desirable to move an Ethernet from one switch port to another and have the device come on-line quickly. The Port Quick Disconnect feature if enabled, provides an immediate age-out of the MAC addresses learned on the port when the port status changes from a link-up to a link-down state

Manageability Features

Web Device Manager

The Perle Web Device Manager is an embedded Web based application that provides an easy to use browser interface for managing the switch. Operates with both http and secure https streams. Unlike competitive products, Java applet technology is not required or used

Command Line Interface (CLI)

A familiar text-based Command Line Interface that is based on accepted industry standard syntax and structure. Ideal for CCNA and CCNP trained engineers, this interface is available via in-band Telnet/SSH or the out-band serial console port

SNMP

Manage the switch with an snmp compatible management station that is running platforms such as HP Openview or Perle's PerleVIEW NMS. SNMP V1, V2C, V3

PerleVIEW

PerleVIEW is Perle's SNMP-based network management system that provides a view of the network with a large scale of Perle networking devices.

IPv6

Manage with an IPv4 or IPV6 address

DHCP Client Auto-Configuration

Automates configuration of switch information such as IP address, default gateway, hostname and Domain Name System (DNS) as well as TFTP server names. Firmware and configuration file locations are provided through options 54, 66, 67, 125 and 150

DHCP Relay

DHCP Relay is used for forwarding requests from DHCP clients when they are not on the same physical subnet. As a DHCP relay agent the switch operates as a Layer 3 device that forwards DHCP packets between clients and servers.

DHCP Option 82 Insertion

Normally used in metro or large enterprise deployments DHCP Option 82 insertion is used to provide additional information on "physical attachment" of the client. As per RFC 3046, option 82 enables additional pre-defined information to be inserted into the DHCP request packet (for DHCP Servers that support this option)

DHCP Server For networks where a central DHCP server is not provided, the switch can provide a DHCP Server function for allocation of IP addresses to the connected devices

DHCP server port-based address allocation When Ethernet switches are deployed in the network, they offer connectivity to the directly connected devices. In some environments, such as on a factory floor, if a device fails, the replacement device must be working immediately in the existing network

When configured, the DHCP server port-based address allocation feature ensures that the same IP address is always offered to the same connected port even as the client identifier or client hardware address changes in the DHCP messages received on that port

LLDP LLDP-Link Layer Discovery Protocol as per IEEE 802.1AB is a neighbor discovery protocol that is used for network devices to advertise information about themselves to other devices on the network. This protocol runs over the data-link layer, which allows two systems running different network layer protocols to learn about each other (via TLVs – Type-Length-Value)

LLDP-MED LLDP Media Endpoint Discovery is an extension to LLDP that operates between endpoint devices such as IP phones and network devices such as switches. It specifically provides support for voice over IP (VoIP) applications and provides additional TLVs for capabilities discovery, network policy, Power over Ethernet, inventory management and location information

NTP The switch can provide the time to NTP/SNTP capable client devices (or other switches, etc). You can run the SNTP client and the NTP server concurrently on your system. Therefore you can obtain time from an outside source and serve that time to the devices connected to the switch.

IEEE 1588 – PTP (Precision Time Protocol)

- IEEE 1588 V1 and V2
- Boundary Clock V1
- Boundary Clock V2
- End-to-End Transparent Clock Sync Two Step Operation
- End-to-End Transparent Clock Sync One Step Operation
- Peer-to-Peer Transparent Clock
- End-to-end Boundary clock
- Peer-to-peer boundary clock
- Microsecond accuracy

File Download Firmware can be transferred via TFTP, SCP, HTTP, HTTPS, or via insertion of a microSD card. Text-based files that can be created or edited by common text editors.

Secure Copy Protocol (SCP) SCP based on the Secure Shell (SSH) protocol, is a means of securely transferring computer files between a local host and a remote host or between two remote hosts.

Availability and Redundancy Features

Spanning Tree Protocol (STP) IEEE 802.1D now incorporated in IEEE 802.1Q-2014, STP prevents bridge loops and the broadcast radiation that results from them.
Other Spanning Tree features include BPDU guard, Root guard, loop guard, root guard and TCN Guard

Rapid Spanning Tree Protocol (RSTP) Interoperable with STP, RSTP (IEEE 802.1w) takes advantage of point-to-point wiring and provides rapid convergence of the spanning tree. Reconfiguration of the spanning tree can occur in less than 1 second

Multiple Spanning Tree Protocol (MSTP) Originally defined in IEEE 802.1s and now incorporated IEEE 802.1Q-2014, defines an extension to RSTP for use with VLANs. The Multiple Spanning Tree Protocol configures a separate Spanning Tree for each VLAN group and blocks all but one of the possible alternate paths within each Spanning Tree.

MRP Media Redundancy Protocol (IEC 62439-2).
Fast convergence protocol designed for industrial networks. Recovery time of 10 ms or better in rings composed of up to 14 switches.
Prevents a switch loop scenario in a ring topology.

P-Ring P-Ring provides an easy to use method for configuring a ring network using standard spanning tree protocols.
Prevents a switch loop scenario in a ring topology.

Link Standby A link recovery feature using a primary and backup link. Provides a simple alternative to spanning tree protocols for link redundancy

VLAN Features

VLAN Range Up to 256 VLANS across a VLAN ID range of 1 to 4000

GVRP Generic Attribute Registration Protocol (GARP) VLAN Registration Protocol (GVRP) is an application defined in the IEEE 802.1Q standard that allows for the control of VLANs. With GVRP, the switch can exchange VLAN configuration information with other GVRP switches, prune unnecessary broadcast and unknown unicast traffic, and dynamically create and manage VLANs on switches that are connected through 802.1Q trunk ports.

Voice VLANs Voice VLANs enables one to separate, prioritize, and authenticate voice traffic moving through your network, and to avoid the possibility of broadcast storms affecting VoIP (Voice-over-IP) operation. With an IP Phone connected to an access port, a switchport voice VLAN enables the use of one VLAN for voice traffic and another VLAN for data traffic from an Ethernet device attached to the phone

VLAN Interfaces Perle switches provide the ability to configure management VLAN interfaces. This enables network administrators to access the switch's management interface from separate VLAN networks

Security Features

IEEE 802.1X

- Provides secure access to switch ports from a central RADIUS server. The switch operating as an authenticator interacting with an 802.1X compliant supplicant (PC or industrial device) through the use of the EAPOL protocol. Authentication will be granted/denied through an external RADIUS server.
- RADIUS assigned VLAN
 - IETF 64 (Tunnel Type)
 - IETF 65 (Tunnel Medium Type)
 - IETF 81 (Tunnel Private Group ID)
- Guest VLAN and Restricted VLANs are supported
- For non-802.1X devices found in industrial applications, the switch can use the client MAC address for authorization through the use of MAB (MAC Authentication Bypass)
- Switch can also be configured as an 802.1X supplicant (edge switch) with an 802.1x-aware upstream switch

Login Banner and MOTD

A login message banner presented during sign-on can be configured by the network administrator.

A Message Of The Day can also be created for presentation to an authenticated user.

Password Strength Checking

Many organizations require stringent management over the strength level of their passwords. When enabled, Perle extends this capability to local passwords stored on the switch enforcing strong passwords to be used.

Port Security – Secure MAC Addresses

This port security feature provides the ability to restrict input to an interface by limiting and identifying MAC addresses of the stations allowed to access the port (Access or Trunk) and will take specific actions when violations occur.

Management ACL

Restricting access to management functions can be configured by protocol or IP address selection are provided. This enables administrators to allow only specific workstations using particular protocols to be able to access the management functions of the switch

RADIUS Management Access Authentication

[AAA support](#) for RADIUS servers that Authenticate, Authorize and Account management sessions

TACACS+ Management Access Authentication

AAA support for TACACS+ servers that Authenticate, Authorize and Account management sessions

Secure Socket Layer (SSL)

SSL provided for [secure browser sessions](#) using HTTPS

Secure Shell (SSH)

SSH provided for secure SSH session for CLI and SCP file transfer sessions

SNMPV3

Support provided for secure version 3 of SNMP

Quality of Service (QoS) and Class of Service (CoS) Features

Classification IP ToS/DSCP and IEEE 802.1p CoS

Congestion Avoidance Weighted Fair Queuing or Strict Queuing

Egress Queues and scheduling

- 4 traffic class queues per port
- output queue mapping
- DSCP to output queue mapping

Monitoring Features

Port Mirroring N:1 Port Mirroring is a method of monitoring network traffic. With port mirroring enabled, the switch sends a copy of one or more ports to a predefined destination port. Selection of Transmit, Receive frames or both can be made

RMON RMON statistics provided for statistics, history, alarms and events for network monitoring and traffic analysis

Syslog Facility for logging systems messages to an external SYSLOG server

Alert Log Facility for logging systems messages locally

Traceroute Layer 2 traceroute to identify the path that a frame takes from source to destination

Virtual cable test A test that enables the detection of potential copper cabling issues such as pair polarity pair swaps and excessive pair skew as well as any opens, shorts or any impedance mismatch. Will report the distance in the cable to the open or short.

Power Supply Monitoring Provides the status of power supplies of the switch

Internal Temperature Monitoring The internal ambient temperature of the switch can be obtained from the management interfaces

Alarm Processing The switch can monitor global switch conditions as well as individual ports. These alarms can be configured to send messages to ;

- an internal log file
- external Syslog server
- SNMP trap server
- An external alarm device such as a bell, light or other signaling device via the switch's built-in dry contact

alarm relay

Global Status Monitoring Alarms

- Dual power supply alarm

Port Status Monitoring Alarms

- Link Fault Alarm (IE loss of signal)
- Port not forwarding alarm
- Port not operating alarm (failure upon start up tests)
- FCS Bit error rate alarm

Alarm Relay

When enabled, energizes the built-alarm relay triggering an external alarm circuit such as a bell, light or other signaling device according to alarm conditions set

Management and Standards

IEEE Standards

IEEE 802.3 for 10Base-T
IEEE 802.3u for 100Base-T(X) and 100Base-X
IEEE 802.3ab for 1000Base-T
IEEE 802.3z for 1000BaseX
IEEE 802.3x for Flow Control
IEEE 802.1D-2004 for Spanning Tree Protocol
IEEE 802.1w for Rapid STP
IEEE 802.1s for Multiple Spanning Tree Protocol
IEEE 802.1Q for VLAN Tagging
IEEE 802.1p for Class of Service
IEEE 802.1X for Authentication
IEEE 802.3ad for Port Trunk with LACP
IEEE 802.1AB LLDP
IEEE 1588v1 PTP Precision Time Protocol
IEEE 1588v2 PTP Precision Time Protocol

SNMP MIB Objects

IEEE8021-PAE-MIB
NTPv4-MIB
IEEE8021-SPANNING-TREE-MIB
SYSAPPL-MIB
LLDP-EXT-MED-MIB
SNMP-COMMUNITY-MIB
LLDP-EXT-MED-MIB
IGMP-STD-MIB
IEEE8021-MSTP-MIB
Q-BRIDGE-MIB
LLDP-EXT-DOT3-MIB
IF-MIB
RSTP-MIB
DIFFSERV-DSCP-TC
LLDP-EXT-DOT1-MIB
IEEE8021-TC-MIB
LLDP-MIB
RMON2-MIB

ENTITY-MIB
P-BRIDGE-MIB
PERLE-LOGIN-MIB
PERLE-ALERT-MIB
PERLE-IP-SSH-MIB
PERLE-IP-PROTOCOLS-MIB
PERLE-USER-MIB
PERLE-SMI
PERLE-MAC-NOTIFICATION-MIB
PERLE-SYSINFO-MIB
PERLE-LINKSTANDBY-MIB
PERLE-AAA-MIB
perle-AAA.MIB
PERLE-IPV6-MIB
PERLE-LOGGING-MIB
PERLE-VLAN-MIB
PERLE-IF-MIB
PERLE-ENTITY-VENDORTYPE-OID-MIB
PERLE-ERR-DISABLE-MIB
PERLE-SWITCH-PLATFORM-MIB
PERLE-ENVMON-MIB
PERLE-TIME-MIB
PERLE-PTP-MIB
PERLE-P-RING-MIB
PERLE-SNMP-MIB
PERLE-FILE-TRANSFER-MIB
PERLE-SWITCH-GLOBAL-MIB
PERLE-BOOT-MIB
PERLE-PRODUCTS-MIB
PERLE-BANDWIDTH-CONTROL-MIB
PERLE-IP-TELNET-MIB
PERLE-GVRP-MIB
PERLE-PORT-SECURITY-MIB
PERLE-DHCP-SERVER-MIB
PERLE-GARP-MIB
PERLE-ARCHIVE-MIB
PERLE-NTP-MIB
PERLE-SSL-MIB
PERLE-IGMP-MIB
PERLE-ACL-MIB
PERLE-POE-MIB
PERLE-RELOAD-MIB
PERLE-ENTITY-ALARM-MIB
PERLE-IPV6-NEIGHBOR-MIB
PERLE-DOT1X-AUTH-MIB
PERLE-TC
PERLE-DHCP-CLIENT-MIB
PERLE-LINE-MIB
PERLE-ARP-MIB
PERLE-GMRP-MIB
PERLE-MLD-MIB
PERLE-IP-HTTP-MIB
PERLE-PORT-MONITOR-MIB
PERLE-SpTreeExtensions-MIB
PERLE-IP-MIB

Hardware Features & Technical Specifications: IDS-509G Industrial Managed DIN Rail Switch

Power

Dual Power Input	Both inputs draw power simultaneously. If one power source fails, the other live source can, acting as a backup, supply enough power to meet the operational needs of the switch. 12/24/48 VDC Nominal. (9.6 to 60 VDC) 24 VAC Nominal (18 to 30 VAC)
------------------	--

Power Connector	4-Pin Removable Terminal Block. Grounding screw on metal chassis
-----------------	---

Maximum Current Consumption @24 vDC	1 Fiber port = 0.73 amps 2 Fiber ports = 0.69 amps 3 Fiber ports = 0.66 amps
-------------------------------------	--

Maximum Current Power @24 vDC	1 Fiber port = 17.5 watts 2 Fiber ports = 16.6 watts 3 Fiber ports = 15.7 watts
-------------------------------	---

Overload Current Protection	Fused overload current protection
-----------------------------	-----------------------------------

Reverse polarity protection	The positive and negative inputs can be reversed providing safe and simple power connectivity.
-----------------------------	--

Access Ports

RJ45	6,7 or 8 shielded RJ45 ports for 10/100/1000Base-T up to 100 meters (328 ft) Auto-negotiation Auto-MDI/MDIX-crossover for use with either crossover over straight-through cable types Ethernet isolation 1500 V
------	--

RJ45 Serial Console port	RJ45 DTE Optional rolled and straight thru RJ45 cables and DB adapters are available
--------------------------	---

USB Serial Console port	MicroUSB Type B female port for serial console management. Used as an alternative port for out of band management connections
-------------------------	---

Digital Inputs	Two Digital Inputs are provided that can be used for generation of alarms (SNMP trap, energizing of on-board Alarm Relay,etc)
----------------	---

Gigabit Fiber port 1, 2 or 3 1000Base-x fiber port models

Duplex SC or ST connector

- Multimode 50/125 or 62.5/125 micron fiber cable
- Single mode 9/125 micron fiber cable

Simplex (BIDI, single strand) SC connector

- Multimode 50/125 or 62.5/125 micron fiber cable
- Single mode 9/125 micron fiber cable

PC and UPC type patch cords supported.

Fiber Port Specs

Fiber Type	Transmit (dBm)		Receive (dBm)		Power Budget (dB)	Wavelength (nm)	IEEE	Core Size (um)	Modal Bandwidth (MHz* Km)	Maximum Operating Distance
	Min	Max	Min	Max						
MMF (Duplex SC/ST)	-9.5	-4.0	-17.0	-3.0	7.5	850	1000Base-SX	62.5	160	220 m (722 ft)
								62.5	200	275 m (902 ft)
								50	400	500 m (1,640 ft)
								50	500	550 m (1,804 ft)
								50	2000	1000 m (3281 ft)
MMF (Duplex SC/ST)	-6.0	0.0	-17.0	0.0	11.0	1310	1000Base-LX	62.5	160	2 km (1.2 mi)
								50	500	1 km (3280ft)
MMF (simplex SC)	-10.0	-4.0	-17.0	-3.0	7.0	1310 / 1550	1000Base-BX-U	62.5	500	500 m (1,640 ft)

						1550 / 1310	1000Base-BX-D	50		
SMF (Duplex SC/ST)	-9.5	-3.0	-20.0	-3.0	10.5	1310	1000Base-LX/LH	9	**	10 km (6.2 mi)
SMF (Simplex SC)	-9.0	-3.0	-20.0	-3.0	11.0	1310 / 1490 1490 / 1310	1000Base-BX-U 1000Base-BX-D	9	**	10 km (6.2 mi)
SMF (Simplex SC)	-8.0	-3.0	-22.0	-3.0	14.0	1310 / 1490 1490 / 1310	1000Base-BX-U 1000Base-BX-D	9	**	20 km (12.4 mi)
SMF (Duplex SC/ST)	-2.0	2.0	-23.0	-3.0	21.0	1310	1000Base-EX	9	**	40 km (24.9 mi)
SMF (Simplex SC)	-3.0	2.0	-23.0	-3.0	20.0	1310 / 1490 1490 / 1310	1000Base-BX-U 1000Base-BX-D	9	**	40 km (24.9 mi)
SMF (Duplex SC/ST)	-2.0	5.0	-23.0	-3.0	21.0	1550	1000Base-ZX	9	**	70 km (43 mi)
SMF (Simplex SC)	-2.0	3.0	-26.0	-3.0	24.0	1510 / 1590 1590 / 1510	1000Base-BX-U 1000Base-BX-D	9	**	80 km (50 mi)
SMF (Duplex SC/ST)	0.0	5.0	-32.0	-9.0	32.0	1550	1000Base-ZX	9	**	120 km (74.6 mi)
SMF (Simplex SC)	-3.0	2.0	-34.0	-9.0	31.0	1510 / 1590 1590 / 1510	1000Base-BX-U 1000Base-BX-D	9	**	120 km (74.6 mi)
SMF	2.0	5.0	-34.0	-9.0	36.0	1550	1000Base-ZX	9	**	160 km

(Duplex SC/ST
)

(100 mi)

* 1db/km multimode fiber cable

** as per ITU-T G.652 SMF specifications

Alarms

Alarm Relay	<ul style="list-style-type: none">• NC (Normally Closed) or NO (Normally Open) dry contact.• 1A @ 24V
-------------	--

Removable Storage

MicroSD slot	A MicroSD flash card can be inserted for configuration files and firmware backup and restoration
--------------	--

Switch Properties

Standards	IEEE 802.3 for 10Base-T IEEE 802.3u for 100Base-TX and 100Base-FX IEEE 802.3ab for 1000Base-T IEEE 802.3z 1000BASE-X IEEE 802.3x for Flow Control
-----------	---

Processing Type	Store and Forward
-----------------	-------------------

MAC Address Table Size	8K
------------------------	----

VLAN ID range	1 to 4000
---------------	-----------

IGMP groups	1024
-------------	------

Packet Buffer Memory	1 Mbit
----------------------	--------

Indicators

Power	This LED is turned on when the appropriate level of voltage is applied to one or both of the power inputs
-------	---

System	Indicates whether the switch O/S is operating normally
--------	--

RJ45 Ethernet These integrated colored LEDs indicate link, activity and speed for each port.

Fiber Link Fiber link LED indicates Link and Data Activity

Alarm The alarm LED (Red) will be turned on under alarm conditions

P-Ring Master LED Status of the P-Ring Master

Backup Network Coupling Indicates whether or not the “Backup Network Coupling” feature is enabled (Redundant links connecting two P-Ring networks)

External Configuration DIP Switches

S2 When enabled, designates this switch as the Ring Master

S1 Activate Backup Coupling between 2 ring networks

Environmental Specifications

MTBF *Calculation model based on MIL-HDBK-217-FN2 @ 30 °C*

Operating Temperature Ranges Standard temperature models (Std): -10° C to 60° C (14° F to 140° F).
XT Industrial extended temperature models (Ind) : -40° C to 75° C (-40 F to 167° F)

Storage Temperature Range Minimum range of -25° C to 70° C (-13° F to 158° F). -40 C to 85 C (-40 F to 185 F) for industrial extended temperature models

Operating Humidity Range 5% to 90% non-condensing

Storage Humidity Range 5% to 95% non-condensing

Maximum Heat Output 1 Fiber port = 59.7 Btu/hr
2 Fiber ports = 56.7 Btu/hr
3 Fiber ports = 53.7 Btu/hr

Operating Altitude Up to 3,048 meters (10,000 feet)

Chassis Metal with an IP20 ingress protection rating

Din Rail Mountable	DIN Rail attachment included. Mounts to standard 35 mm DIN rail in accordance with DIN EN 60175. Removable to accommodate optional Panel/Wall mount kit
--------------------	--

Product Weight and Dimensions

Weight	1.5 kg
--------	--------

Dimensions	75 x 130 x 121mm
------------	------------------

Packaging

Shipping Weight	2.0 kg
-----------------	--------

Shipping Dimensions	170 x 260 x 70 mm
---------------------	-------------------

Standards and Certifications

Safety	UL 60950-1 IEC 60950-1:2005+A1:2009 and EN 60950-1:2006+A11:2009+A1:2010+A12:2011 CE Mark UL 61010-1 and UL 61010-2-201 (Standard for Safety for Programmable Controllers)
--------	--

Emissions	FCC 47 Part 15 Class A CISPR 22:2008/EN55022:2010 (Class A) CISPR 24:2010/EN 55024:2010
-----------	---

EMC and Immunity	<ul style="list-style-type: none">• CISPR 24:2010/EN 55024:2010• IEC/EN 61000-4-2 (ESD) : Contact discharge +/- 4kv, Air discharge +/- 8kv• IEC/EN 61000-4-3 (RS) : 80mhz to 1Ghz ; 10v/m, 1.4Gkz to 2.0ghz ; 5 v/m, 2.0ghz to 2.7 ghz ; 5 v/m• IEC/EN 61000-4-4 (EFT) : DC power line +/- 2kv, data line +/- 1kv• IEC/EN 61000-4-5 (Surge) : DC power line, Line/Line +/- 1kv, Line/Earth +/- 2kv, data line /earth +/- 2kv• IEC/EN 61000-4-6 (CS) :150khz-80Mhz 10vrms• IEC/EN 61000-4-8 (Magnetic Field) :30 A/M• IEC/EN 61000-6-2 (General Immunity in Industrial Environments)
------------------	--

Industrial Safety UL 61010-1 and UL 61010-2-201 (Standard for Safety for Programmable Controllers). Formerly known as UL508 (Safety standard for Industrial Control Equipment)

Hazardous Locations (Hazloc) ANSI/ISA 12.12.01, Class 1 Division 2 Groups A-D (formerly known as UL 1604)
ATEX Class 1 Zone 2

Environmental [Reach, RoHS and WEEE Compliant](#)

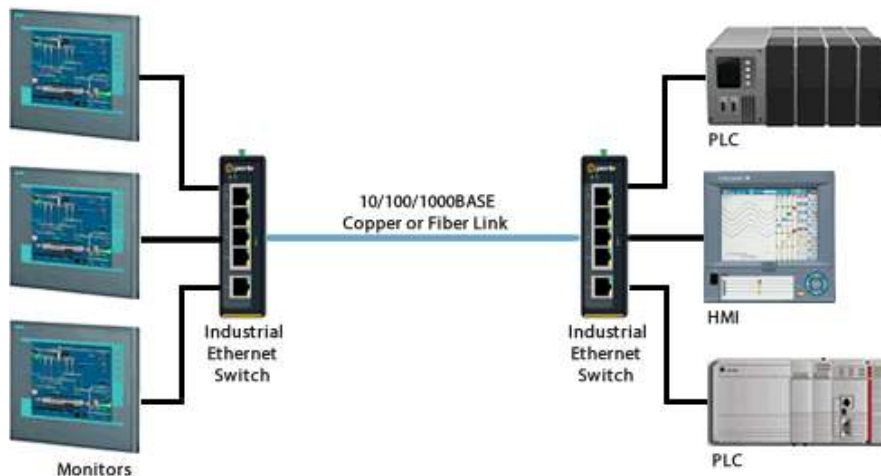
Other ECCN: 5A992

HTSUS Number: 8517.62.0050

5 year Warranty

- Contents Shipped
- Industrial Ethernet Switch with DIN Rail attachment
 - Terminal block
 - Installation guide
-

IDS-509G Industrial Managed DIN Rail Switch

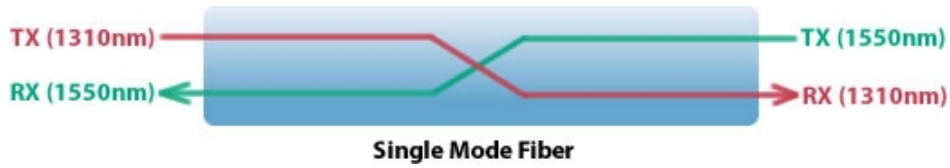


Single Mode / Single Strand (WDM) Fiber

Connecting devices over a single fiber strand (also referred to as “Bi-Directional” BiDi or Simplex)

To reduce costs, or where there are limits on available fiber, Wavelength-Division Multiplexing (WDM) technology may be utilized. WDM uses separate transmit and receive frequencies to communicate on a single fiber strand. WDM technology relies on the fact that optical fibers can carry many wavelengths of light simultaneously without interaction between each wavelength. Thus, a single fiber can carry many separate wavelength signals or channels simultaneously. WDM systems are divided into

different wavelength patterns, conventional/coarse (CWDM) and dense (DWDM).



When Single Strand fiber is used, you will need an “Up” side and a “Down” side when interconnecting fiber devices.

Perle offers a wide variety of Single Fiber (“Up/Down”) [Ethernet Switches](#) and [Media Converters](#) for use with single strand of fiber.

Select a Model to obtain a Part Number – IDS-509G

Std = Standard Temperature models: -10° C to 60° C (14° F to 140° F).

Ind = Industrial Extended Temperature Models: -40° C to 75° C (-40 F to 167° F)

Duplex Fiber

Model	Temp	10/100/1000Base-T RJ45	Fiber Connectors	Transmit (dBm)		Receive (dBm)		Power Budget (dB)	Wavelength (nm)	Fiber Type	Operating Distance
				Min	Max	Min	Max				
IDS-509G-CMD05	Std	8	1 x Duplex SC	-9.5	-4.0	-17.0	-3.0	7.5	850	MMF	550 m (1,804 ft)
IDS-509G-CMD05-XT	Ind	8	1 x Duplex SC	-9.5	-4.0	-17.0	-3.0	7.5	850	MMF	550 m (1,804 ft)
IDS-509G-TMD05	Std	8	1 x Duplex ST	-9.5	-4.0	-17.0	-3.0	7.5	850	MMF	550 m (1,804 ft)
IDS-509G-TMD05-XT	Ind	8	1 x Duplex ST	-9.5	-4.0	-17.0	-3.0	7.5	850	MMF	550 m (1,804 ft)
IDS-509G-	Std	8	1 x Duplex SC	-6.0	0.0	-17.0	0.0	11.0	1310	MMF	2 km (1.2 mi)

CMD2

IDS-509G-TMD2	Std	8	1 x Duplex ST	-6.0	0.0	-17.0	0.0	11.0	1310	MMF	2 km (1.2 mi)
IDS-509G-CSD10	Std	8	1 x Duplex SC	-9.5	-3.0	-20.0	-3.0	10.5	1310	SMF	10 km (6.2 mi)
IDS-509G-CSD10-XT	Ind	8	1 x Duplex SC	-9.5	-3.0	-20.0	-3.0	10.5	1310	SMF	10 km (6.2 mi)
IDS-509G-TSD10	Std	8	1 x Duplex ST	-9.5	-3.0	-20.0	-3.0	10.5	1310	SMF	10 km (6.2 mi)
IDS-509G-TSD10-XT	Ind	8	1 x Duplex ST	-9.5	-3.0	-20.0	-3.0	10.5	1310	SMF	10 km (6.2 mi)
IDS-509G-CSD40	Std	8	1 x Duplex SC	-2.0	2.0	-23.0	-3.0	21.0	1310	SMF	40 km (24.9 mi)
IDS-509G-TSD40	Std	8	1 x Duplex ST	-2.0	2.0	-23.0	-3.0	21.0	1310	SMF	40 km (24.9 mi)
IDS-509G-CSD70	Std	8	1 x Duplex SC	-2.0	5.0	-23.0	-3.0	21.0	1550	SMF	70 km (43 mi)
IDS-509G-TSD70	Std	8	1 x Duplex ST	-2.0	5.0	-23.0	-3.0	21.0	1550	SMF	70 km (43 mi)
IDS-509G-CSD120	Std	8	1 x Duplex SC	0.0	5.0	-32.0	-9.0	32.0	1550	SMF	120 km (74.6 mi)

IDS-509G-TSD120	Std	8	1 x Duplex ST	0.0	5.0	-32.0	-9.0	32.0	1550	SMF	120 km (74.6 mi)
IDS-509G-CSD160	Std	8	1 x Duplex SC	2.0	5.0	-34.0	-9.0	36.0	1550	SMF	160 km (100 mi)
IDS-509G-TSD160	Std	8	1 x Duplex ST	2.0	5.0	-34.0	-9.0	36.0	1550	SMF	160 km (100 mi)
IDS-509G2-C2MD05	Std	7	2 x Duplex SC	-9.5	-4.0	-17.0	-3.0	7.5	850	MMF	550 m (1,804 ft)
IDS-509G2-C2MD05-XT	Ind	7	2 x Duplex SC	-9.5	-4.0	-17.0	-3.0	7.5	850	MMF	550 m (1,804 ft)
IDS-509G2-T2MD05	Std	7	2 x Duplex ST	-9.5	-4.0	-17.0	-3.0	7.5	850	MMF	550 m (1,804 ft)
IDS-509G2-T2MD05-XT	Ind	7	2 x Duplex ST	-9.5	-4.0	-17.0	-3.0	7.5	850	MMF	550 m (1,804 ft)
IDS-509G2-C2MD2	Std	7	2 x Duplex SC	-6.0	0.0	-17.0	0.0	11.0	1310	MMF	2 km (1.2 mi)
IDS-509G2-T2MD2	Std	7	2 x Duplex ST	-6.0	0.0	-17.0	0.0	11.0	1310	MMF	2 km (1.2 mi)
IDS-509G2-C2SD10	Std	7	2 x Duplex SC	-9.5	-3.0	-20.0	-3.0	10.5	1310	SMF	10 km (6.2 mi)
IDS-	Ind	7	2 x Duplex	-9.5	-3.0	-20.0	-3.0	10.5	1310	SMF	10 km

509G2-
C2SD10-
XT SC (6.2 mi)

IDS-
509G2-
T2SD10 Std 7 2 x Duplex ST -9.5 -3.0 -20.0 -3.0 10.5 1310 SMF 10 km (6.2 mi)

IDS-
509G2-
T2SD10-
XT Ind 7 2 x Duplex ST -9.5 -3.0 -20.0 -3.0 10.5 1310 SMF 10 km (6.2 mi)

IDS-
509G3-
C2MD05-
SD10 Std 6 2 x Duplex SC -9.5 -4.0 -17.0 -3.0 7.5 850 MMF 550 m (1,804 ft)

1 x Duplex SC -9.5 -3.0 -20.0 -3.0 10.5 1310 SMF 10 km (6.2 mi)

IDS-
509G3-
C2MD05-
SD10-XT Ind 6 2 x Duplex SC -9.5 -4.0 -17.0 -3.0 7.5 850 MMF 550 m (1,804 ft)

1 x Duplex SC -9.5 -3.0 -20.0 -3.0 10.5 1310 SMF 10 km (6.2 mi)

IDS-
509G3-
T2MD05-
SD10 Std 6 2 x Duplex ST -9.5 -4.0 -17.0 -3.0 7.5 850 MMF 550 m (1,804 ft)

1 x Duplex ST -9.5 -3.0 -20.0 -3.0 10.5 1310 SMF 10 km (6.2 mi)

IDS-
509G3-
T2MD05-
SD10-XT Ind 6 2 x Duplex ST -9.5 -4.0 -17.0 -3.0 7.5 850 MMF 550 m (1,804 ft)

1 x Duplex ST -9.5 -3.0 -20.0 -3.0 10.5 1310 SMF 10 km (6.2 mi)

IDS-
509G3-
C2MD05-
SD40 Std 6 2 x Duplex SC -9.5 -4.0 -17.0 -3.0 7.5 850 MMF 550 m (1,804 ft)

1 x Duplex -2.0 2.0 -23.0 -3.0 21.0 1310 SMF 40 km

SC

(24.9 mi)

IDS-509G3-T2MD05-SD40	Std	6	2 x Duplex ST	-9.5	-4.0	-17.0	-3.0	7.5	850	MMF	550 m (1,804 ft)
			1 x Duplex ST	-2.0	2.0	-23.0	-3.0	21.0	1310	SMF	40 km (24.9 mi)
IDS-509G3-C2MD05-SD70	Std	6	2 x Duplex SC	-9.5	-4.0	-17.0	-3.0	7.5	850	MMF	550 m (1,804 ft)
			1 x Duplex SC	-2.0	5.0	-23.0	-3.0	21.0	1550	SMF	70 km (43 mi)
IDS-509G3-T2MD05-SD70	Std	6	2 x Duplex ST	-9.5	-4.0	-17.0	-3.0	7.5	850	MMF	550 m (1,804 ft)
			1 x Duplex ST	-2.0	5.0	-23.0	-3.0	21.0	1550	SMF	70 km (43 mi)
IDS-509G3-C2MD05-SD120	Std	6	2 x Duplex SC	-9.5	-4.0	-17.0	-3.0	7.5	850	MMF	550 m (1,804 ft)
			1 x Duplex SC	0.0	5.0	-32.0	-9.0	32.0	1550	SMF	120 km (74.6 mi)
IDS-509G3-T2MD05-SD120	Std	6	2 x Duplex ST	-9.5	-4.0	-17.0	-3.0	7.5	850	MMF	550 m (1,804 ft)
			1 x Duplex ST	0.0	5.0	-32.0	-9.0	32.0	1550	SMF	120 km (74.6 mi)
IDS-509G3-C2MD05-SD160	Std	6	2 x Duplex SC	-9.5	-4.0	-17.0	-3.0	7.5	850	MMF	550 m (1,804 ft)
			1 x Duplex SC	2.0	5.0	-34.0	-9.0	36.0	1550	SMF	160 km (100 mi)
IDS-509G3-	Std	6	2 x Duplex ST	-9.5	-4.0	-17.0	-3.0	7.5	850	MMF	550 m (1,804 ft)

T2MD05-
SD160

1 x Duplex ST	2.0	5.0	-34.0	-9.0	36.0	1550	SMF	160 km (100 mi)
------------------	-----	-----	-------	------	------	------	-----	----------------------

IDS-
509G3-
C2SD10-
MD05

Std 6

1 x Duplex SC	-9.5	-4.0	-17.0	-3.0	7.5	850	MMF	550 m (1,804 ft)
------------------	------	------	-------	------	-----	-----	-----	---------------------

2 x Duplex SC	-9.5	-3.0	-20.0	-3.0	10.5	1310	SMF	10 km (6.2 mi)
------------------	------	------	-------	------	------	------	-----	---------------------

IDS-
509G3-
C2SD10-
MD05-XT

Ind 6

1 x Duplex SC	-9.5	-4.0	-17.0	-3.0	7.5	850	MMF	550 m (1,804 ft)
------------------	------	------	-------	------	-----	-----	-----	---------------------

2 x Duplex SC	-9.5	-3.0	-20.0	-3.0	10.5	1310	SMF	10 km (6.2 mi)
------------------	------	------	-------	------	------	------	-----	---------------------

IDS-
509G3-
T2SD10-
MD05

Std 6

1 x Duplex ST	-9.5	-4.0	-17.0	-3.0	7.5	850	MMF	550 m (1,804 ft)
------------------	------	------	-------	------	-----	-----	-----	---------------------

2 x Duplex ST	-9.5	-3.0	-20.0	-3.0	10.5	1310	SMF	10 km (6.2 mi)
------------------	------	------	-------	------	------	------	-----	---------------------

IDS-
509G3-
T2SD10-
MD05-XT

Ind 6

1 x Duplex ST	-9.5	-4.0	-17.0	-3.0	7.5	850	MMF	550 m (1,804 ft)
------------------	------	------	-------	------	-----	-----	-----	---------------------

2 x Duplex ST	-9.5	-3.0	-20.0	-3.0	10.5	1310	SMF	10 km (6.2 mi)
------------------	------	------	-------	------	------	------	-----	---------------------

IDS-
509G3-
C2SD10-
SD40

Std 6

2 x Duplex SC	-9.5	-3.0	-20.0	-3.0	10.5	1310	SMF	10 km (6.2 mi)
------------------	------	------	-------	------	------	------	-----	---------------------

1 x Duplex SC	-2.0	2.0	-23.0	-3.0	21.0	1310	SMF	40 km (24.9 mi)
------------------	------	-----	-------	------	------	------	-----	----------------------

IDS-
509G3-
T2SD10-
SD40

Std 6

2 x Duplex ST	-9.5	-3.0	-20.0	-3.0	10.5	1310	SMF	10 km (6.2 mi)
------------------	------	------	-------	------	------	------	-----	---------------------

1 x Duplex ST	-2.0	2.0	-23.0	-3.0	21.0	1310	SMF	40 km (24.9 mi)
------------------	------	-----	-------	------	------	------	-----	----------------------

IDS-509G3-C2SD10-SD70	Std	6	2 x Duplex SC	-9.5	-3.0	-20.0	-3.0	10.5	1310	SMF	10 km (6.2 mi)
			1 x Duplex SC	-2.0	5.0	-23.0	-3.0	21.0	1550	SMF	70 km (43 mi)
IDS-509G3-T2SD10-SD70	Std	6	2 x Duplex ST	-9.5	-3.0	-20.0	-3.0	10.5	1310	SMF	10 km (6.2 mi)
			1 x Duplex ST	-2.0	5.0	-23.0	-3.0	21.0	1550	SMF	70 km (43 mi)
IDS-509G3-C2SD10-SD120	Std	6	2 x Duplex SC	-9.5	-3.0	-20.0	-3.0	10.5	1310	SMF	10 km (6.2 mi)
			1 x Duplex SC	0.0	5.0	-32.0	-9.0	32.0	1550	SMF	120 km (74.6 mi)
IDS-509G3-T2SD10-SD120	Std	6	2 x Duplex ST	-9.5	-3.0	-20.0	-3.0	10.5	1310	SMF	10 km (6.2 mi)
			1 x Duplex ST	0.0	5.0	-32.0	-9.0	32.0	1550	SMF	120 km (74.6 mi)
IDS-509G3-C2SD10-SD160	Std	6	2 x Duplex SC	-9.5	-3.0	-20.0	-3.0	10.5	1310	SMF	10 km (6.2 mi)
			1 x Duplex SC	2.0	5.0	-34.0	-9.0	36.0	1550	SMF	160 km (100 mi)
IDS-509G3-T2SD10-SD160	Std	6	2 x Duplex ST	-9.5	-3.0	-20.0	-3.0	10.5	1310	SMF	10 km (6.2 mi)
			1 x Duplex ST	2.0	5.0	-34.0	-9.0	36.0	1550	SMF	160 km (100 mi)

Single Fiber (Simplex / BiDi) Models ([Recommended use in pairs](#))

Simplex (BiDi) Fiber

Model	Temp	10/100/1000Base-T RJ45	Fiber Connector	Transmit (dBm)		Receive (dBm)		Power Budget (dB)	Wavelength (nm) TX / RX	Fiber Type	Operating Distance
				Min	Max	Min	Max				
IDS-509G-CMS05U	Std	8	1 x Simplex SC	-10.0	-4.0	-17.0	-3.0	7.0	1550 / 1310	MMF	500 m (1,640 ft)
IDS-509G-CMS05D	Std	8	1 x Simplex SC	-9.5	-4.0	-17.0	-3.0	7.5	1550 / 1310	MMF	500 m (1,640 ft)
IDS-509G-CSS10U	Std	8	1 x Simplex SC	-9.0	-3.0	-20.0	-3.0	11.0	1310 / 1490	SMF	10 km (6.2 mi)
IDS-509G-CSS10D	Std	8	1 x Simplex SC	-9.0	-3.0	-20.0	-3.0	11.0	1490 / 1310	SMF	10 km (6.2 mi)
IDS-509G-CSS10U-XT	Ind	8	1 x Simplex SC	-9.0	-3.0	-20.0	-3.0	11.0	1310 / 1490	SMF	10 km (6.2 mi)
IDS-509G-CSS10D-XT	Ind	8	1 x Simplex SC	-9.0	-3.0	-20.0	-3.0	11.0	1490 / 1310	SMF	10 km (6.2 mi)
IDS-509G-CSS20U	Std	8	1 x Simplex SC	-8.0	-3.0	-22.0	-3.0	14.0	1310 / 1490	SMF	20 km (12.4 mi)
IDS-509G-CSS20D	Std	8	1 x Simplex SC	-8.0	-3.0	-22.0	-3.0	14.0	1490 / 1310	SMF	20 km (12.4 mi)
IDS-509G-	Std	8	1 x Simplex SC	-3.0	2.0	-23.0	-3.0	20.0	1310 / 1490	SMF	40 km (24.9 mi)

CSS40U

IDS-509G-CSS40D	Std	8	1 x Simplex SC	-3.0	2.0	-23.0	-3.0	20.0	1490 / 1310	SMF	40 km (24.9 mi)
-----------------	-----	---	----------------	------	-----	-------	------	------	-------------	-----	-------------------

IDS-509G-CSS80U	Std	8	1 x Simplex SC	-2.0	3.0	-26.0	-3.0	24.0	1510 / 1590	SMF	80 km (50 mi)
-----------------	-----	---	----------------	------	-----	-------	------	------	-------------	-----	-----------------

IDS-509G-CSS80D	Std	8	1 x Simplex SC	-2.0	3.0	-26.0	-3.0	24.0	1590 / 1510	SMF	80 km (50 mi)
-----------------	-----	---	----------------	------	-----	-------	------	------	-------------	-----	-----------------

IDS-509G-CSS120U	Std	8	1 x Simplex SC	-3.0	2.0	-34.0	-9.0	31.0	1510 / 1590	SMF	120 km (74.6 mi)
------------------	-----	---	----------------	------	-----	-------	------	------	-------------	-----	--------------------

IDS-509G-CSS120D	Std	8	1 x Simplex SC	-3.0	2.0	-34.0	-9.0	31.0	1590 / 1510	SMF	120 km (74.6 mi)
------------------	-----	---	----------------	------	-----	-------	------	------	-------------	-----	--------------------

Industrial Ethernet Switch Accessories

Panel Mount kit PM3	Brackets for attaching 30 to 75 mm wide Perle IDS industrial switches inside a control panel or to a wall for wall.
---------------------	---

Rack Mount Kit RM4U	Bracket for mounting Perle DIN Rail switches in a standard 19" rack. Occupies "4U" of vertical rack space. 275 mm (10 inches) deep
---------------------	--

DIN Rail 24V Power Supply	IDPS-24-40-XT - DIN-Rail 24 VDC, 40Watt power supply with universal 85 to 264 VAC or 120-370 VDC input, -20 to 70°C extended operating temperature. Power Supply Specifications.
---------------------------	--

UNO-PS/1AC/24DC/150W Power Supply	UNO-PS/1AC/24DC/150W Power Supply - DIN-Rail 24 VDC , 150 Watt power supply with universal 85 to 264 VAC, -25 to 70°C extended operating temperature. Power Supply Specifications.
-----------------------------------	--

DBA0020C	RJ-45F to DB-9F crossover (DTE) adapter for Perle serial console ports with Sun/Cisco pinout. #1100300-10
----------	---
