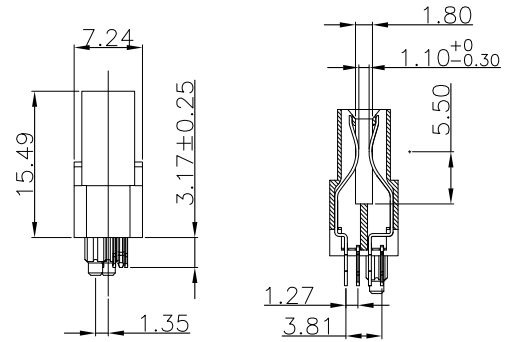
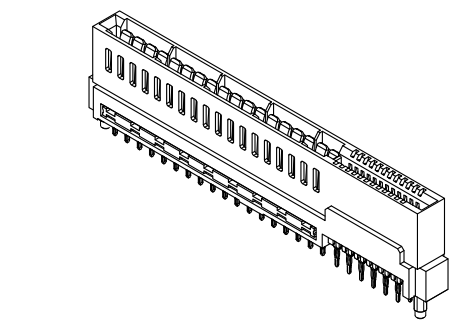
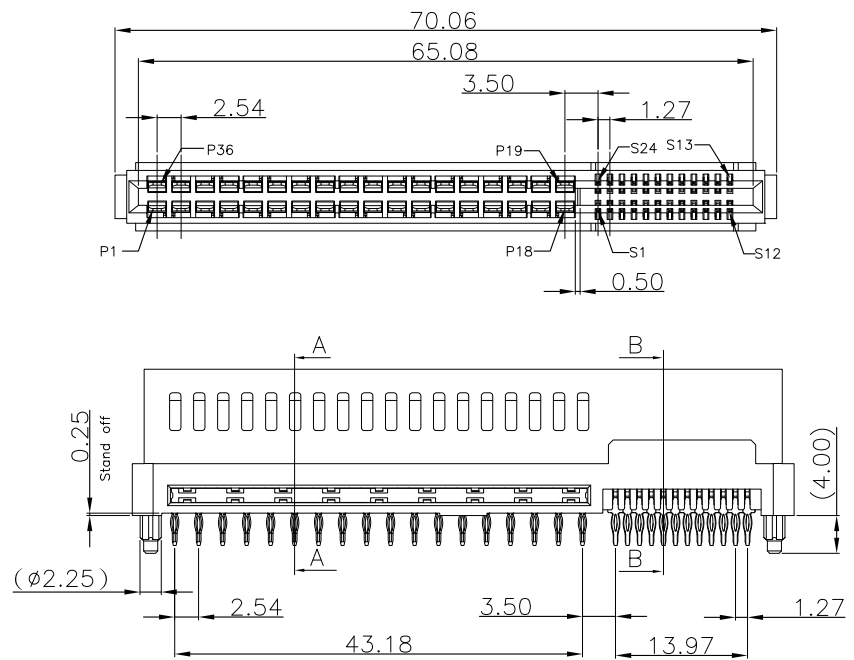
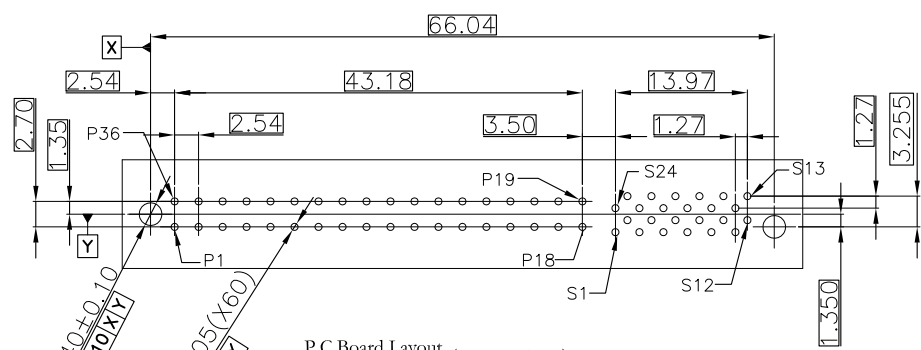


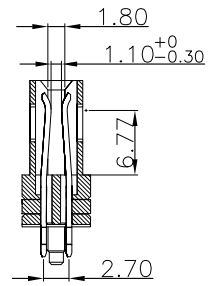
REV.	SPECIFICATION	ECN NO.	APPD.
R2		ECN210908	



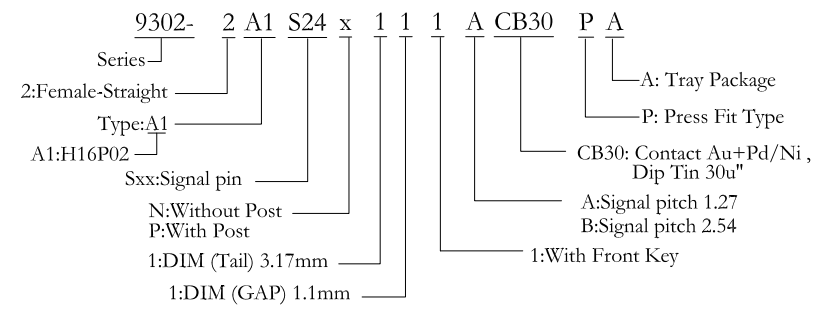
SECTION B-B
Scale: 1:1



P.C. Board Layout
(Tolerance: ±0.05) (Top View)



SECTION A-A
Scale: 1:1



Material and Plating:

Housing: LCP, UL94V-0, BLACK.
Power Contacts: High Conductivity Copper .
 30u" Au+Pd/Ni on Contact Area and 80u" Min Matte Tin Plated on Press Fit over nickel 50u" Min .
Signal Contacts : Phosphor Bronze .
 30u" Au+Pd/Ni on Contact Area and 80u" Min Matte Tin Plated on Press Fit over nickel 50u" Min .

Electrical Characteristics:

Current Rating: Signal Pin 1.5 AMP.
 Power Pin 12.5AMP(UL).

Dielectric Withstanding Voltage:

Signal Pin DC 500V For 1 minute.
 Power Pin DC 1000V For 1 minute.

Insulator Resistance: Signal Pin 500MΩ min. at DC 500V.
 Power Pin 5000MΩ min. at DC 500V.

Contact Resistance: Signal Pin 25mΩ max.
 Power Pin 0.6mΩ max.

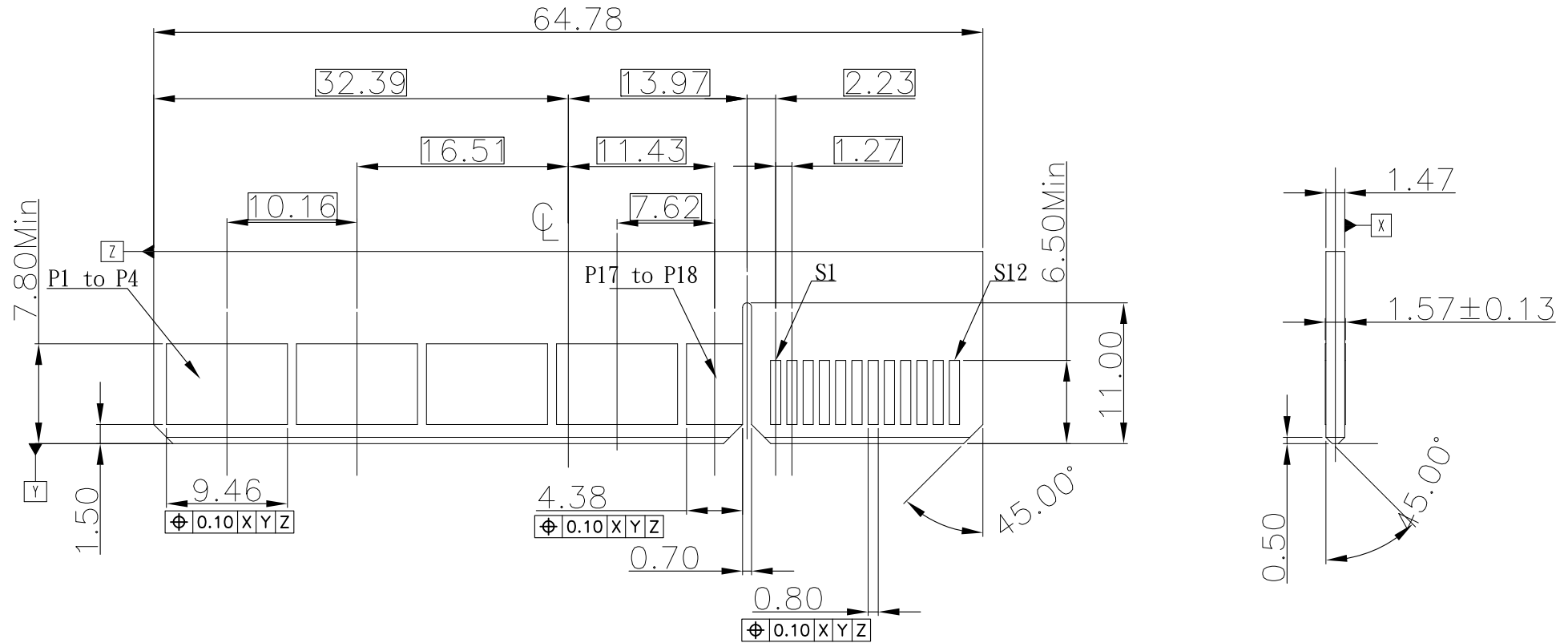
Operating Temperature: -55°C ~+105°C .

***RoHS Compliant**



Tolerances	Dwg. No.	9302-D0000-006		Title:
X=±0.50	Projection			9302 SERIES HIGH POWER AND SIGNAL EDGE CARD CONNECTOR
X=±0.25	Unit	mm	Scale 1:1	
.XX=±0.15	Drawn By	GYJ 12/20/21'		

DUPIIN ELECTRONIC(KUNSHAN) CO., LTD.			
P/N: 9302-2A1S24x111ACB30PA			
SHEET	1/2	Ver.No.	R2

REV.	SPECIFICATION	ECN NO.	APPD.
R2		ECN210908	



RECOMMENDED MATTING BOARD FOOTPRINT
(Tolerance:±0.05)

Tolerances	Dwg. No.	9302-00000-006	Title:		 DUPIIN ELECTRONIC(KUNSHAN) CO., LTD. P/N: 9302-2A1S24x111ACB30PA
X=±0.50	Projection		9302 SERIES HIGH POWER AND SIGNAL EDGE CARD CONNECTOR		
.X=±0.25	Unit	mm	Scale	1:1	
.XX=±0.15	Drawn By	GYJ 12/20/21'			SHEET
					2/2
					Ver.No.
					R2