



CERAMIC

Power Splitter/Combiner

SCG-3-162+

Mini-Circuits

3 Way-0° 50Ω 900 to 1600 MHz

FEATURES

- Isolation resistor, external 150 ohms
- Low insertion loss, 1.2 dB typ.
- Excellent amplitude unbalance, 0.2 dB typ.
- Excellent phase unbalance, 5 deg. typ.
- High isolation, 18 dB typ.
- ESD non-sensitive
- Temperature stable LTCC technology
- Wrap around terminations for excellent solderability
- Low cost



Generic photo used for illustration purposes only
CASE STYLE: GE0805C-1

+RoHS Compliant

The +Suffix identifies RoHS Compliance.
See our website for methodologies and qualifications

APPLICATIONS

- ISM
- GPS

ELECTRICAL SPECIFICATIONS AT 25°C

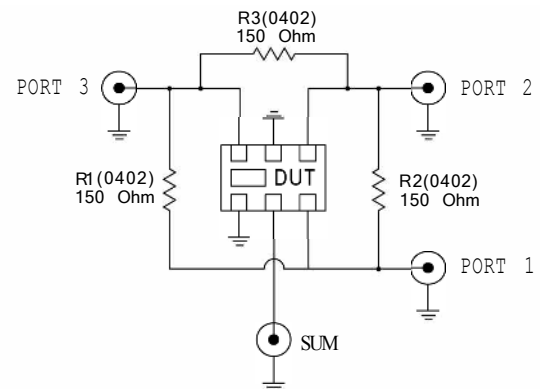
Parameter	Frequency (MHz)	Min.	Typ.	Max.	Unit
Frequency Range		900		1600	MHz
Insertion Loss, above 4.8 dB	900 - 1600	—	1.2	1.8	dB
Isolation	900 - 1600	11.5	18	—	dB
Phase Unbalance	900 - 1600	—	5.0	8.5	Degree
Amplitude Unbalance	900 - 1600	—	0.2	0.8	dB
Return Loss (Input)	900 - 1600	—	12	—	dB
Return Loss (Output)	900 - 1600	—	20	—	dB

MAXIMUM RATINGS

Parameter	Ratings
Operating Temperature	-55°C to 100°C
Storage Temperature	-55°C to 100°C
Power Input (as a splitter)	2W* max.

* Derate linearly to 0.7W at 100°C ambient, power input as combiner is limited by rating of external resistor 150Ω resistor. Permanent damage may occur if any of these limits are exceeded.

ELECTRICAL SCHEMATIC





CERAMIC

Power Splitter/Combiner

SCG-3-162+

Mini-Circuits

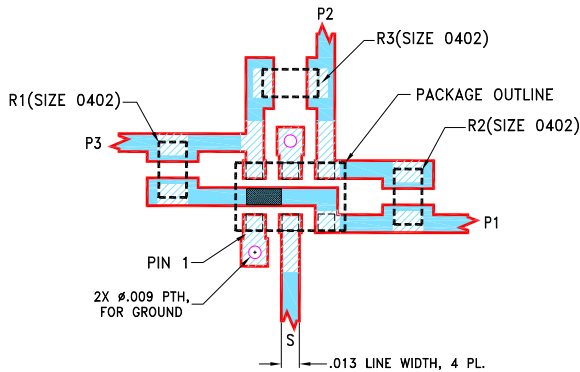
3 Way-0° 50Ω 900 to 1600 MHz

PAD CONNECTIONS

SUM PORT	2
PORT 1	6
PORT 2	4
PORT 3	3
GROUND	1,5
PORT 1-2, 2-3, 1-3	resistor external 150 ohms

PRODUCT MARKING: SM

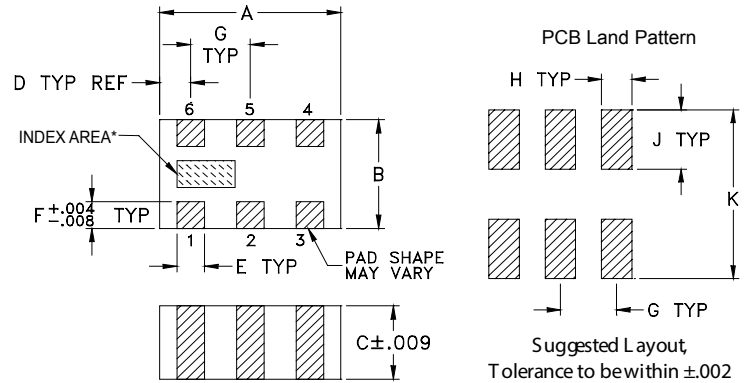
DEMO BOARD MCL P/N: TB-1044+
SUGGESTED PCB LAYOUT (PL-622)



NOTES:

1. LINE WIDTH IS SHOWN FOR ROGERS R04350B WITH DIELECTRIC THICKNESS .0066±.0007. COPPER: 1/2 OZ. EACH SIDE. FOR OTHER MATERIALS LINE WIDTH MAY NEED TO BE MODIFIED.
 2. UNIT FOOT PRINT IS OPTIMIZED FOR PERFORMANCE AND IS DIFFERENT FROM CASE STYLE GE0805C-1 RECOMMENDATIONS.
 3. CHIP COMPONENT FOOT PRINT IS SHOWN FOR REFERENCE. FOR COMPONENT VALUE REFER TO TB-1044+.
 4. BOTTOM SIDE OF THE PCB IS CONTINUOUS GROUND PLANE.
- DENOTES PCB COPPER LAYOUT WITH SMOBC (SOLDER MASK OVER BARE COPPER).
 DENOTES COPPER LAND PATTERN FREE OF SOLDER MASK.

OUTLINE DRAWING



*Shape of index marking may vary

OUTLINE DIMENSIONS (Inches/mm)

A	B	C	D	E	F
.079	.049	.033	.014	.012	.012
2.01	1.24	0.84	0.36	0.30	0.30
G	H	J	K		wt
.026	.014	.039	.110		grams
0.66	0.36	1.00	2.80		.008

TAPE & REEL INFORMATION: F74



CERAMIC

Power Splitter/Combiner

SCG-3-162+

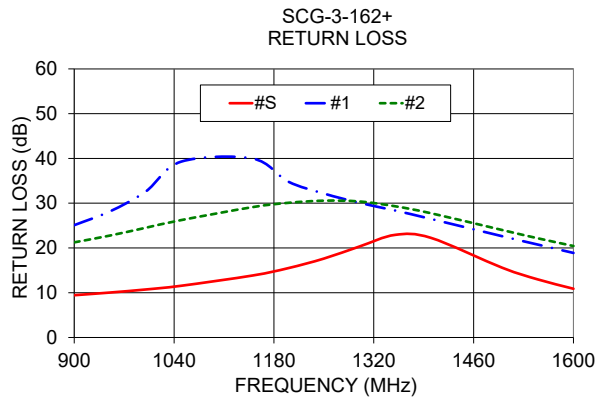
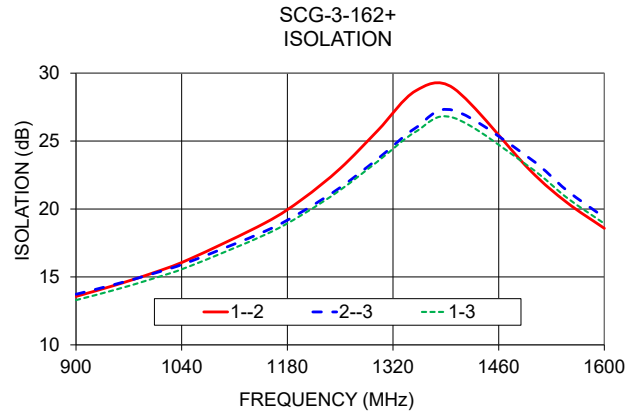
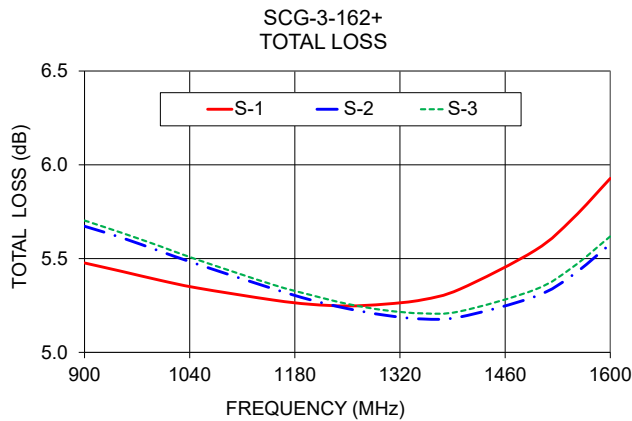
Mini-Circuits

3 Way-0° 50Ω 900 to 1600 MHz

TYPICAL PERFORMANCE DATA

Frequency (MHz)	Total Loss ¹ (dB)			Amplitude Unbalance (dB)	Isolation (dB)			Phase Unbalance (deg.)	Return Loss (dB)		
	S-1	S-2	S-3		1-2	1-3	2-3		S	1	2
900	5.48	5.67	5.70	0.23	13.57	13.29	13.72	0.56	9.44	25.09	21.25
950	5.43	5.61	5.64	0.21	14.36	14.03	14.43	0.81	10.04	28.16	22.77
1000	5.38	5.54	5.57	0.18	15.26	14.84	15.21	1.05	10.72	32.58	24.50
1050	5.34	5.47	5.49	0.15	16.30	15.77	16.11	1.27	11.56	39.29	26.23
1150	5.28	5.34	5.36	0.08	18.96	18.10	18.35	1.77	13.84	39.97	29.12
1200	5.26	5.28	5.31	0.05	20.73	19.59	19.82	2.04	15.49	34.82	30.08
1250	5.25	5.23	5.26	0.02	22.98	21.40	21.58	2.28	17.62	32.16	30.56
1300	5.26	5.20	5.22	0.06	25.79	23.52	23.70	2.54	20.33	30.07	30.38
1350	5.28	5.18	5.21	0.10	28.70	25.69	25.97	2.85	22.93	28.36	29.31
1400	5.34	5.19	5.22	0.15	28.90	26.72	27.26	3.14	22.27	26.49	27.76

1. Total Loss = Insertion Loss + 4.8dB splitter loss.



- NOTES**
- A. Performance and quality attributes and conditions not expressly stated in this specification document are intended to be excluded and do not form a part of this specification document.
 - B. Electrical specifications and performance data contained in this specification document are based on Mini-Circuit's applicable established test performance criteria and measurement instructions.
 - C. The parts covered by this specification document are subject to Mini-Circuits standard limited warranty and terms and conditions (collectively, "Standard Terms"); Purchasers of this part are entitled to the rights and benefits contained therein. For a full statement of the standard. Terms and the exclusive rights and remedies thereunder, please visit Mini-Circuits' website at www.minicircuits.com/terms/viewterm.html

