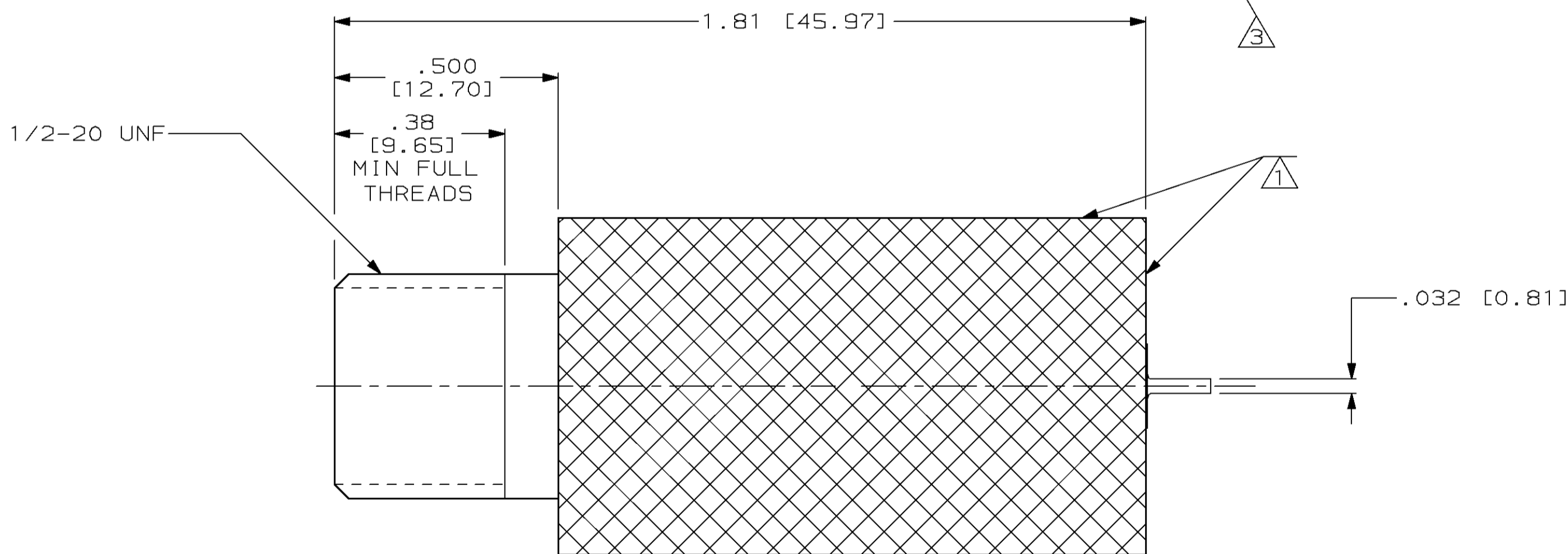
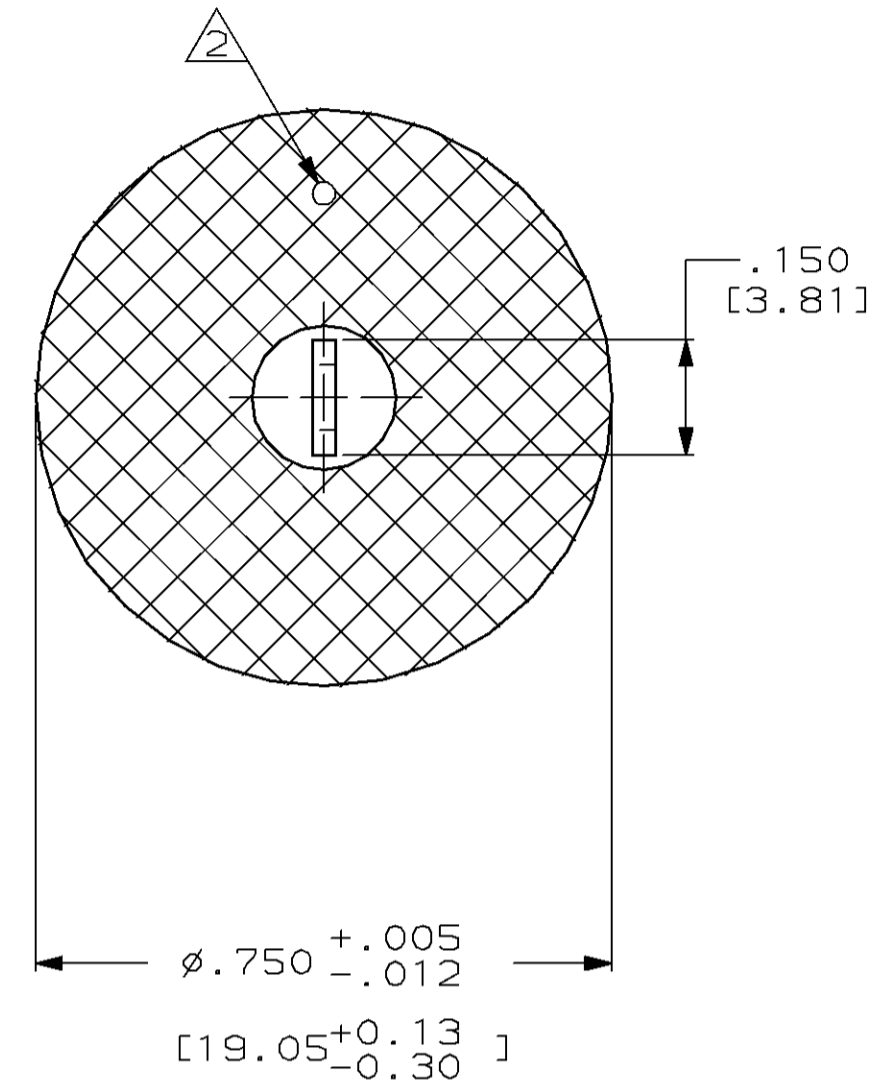
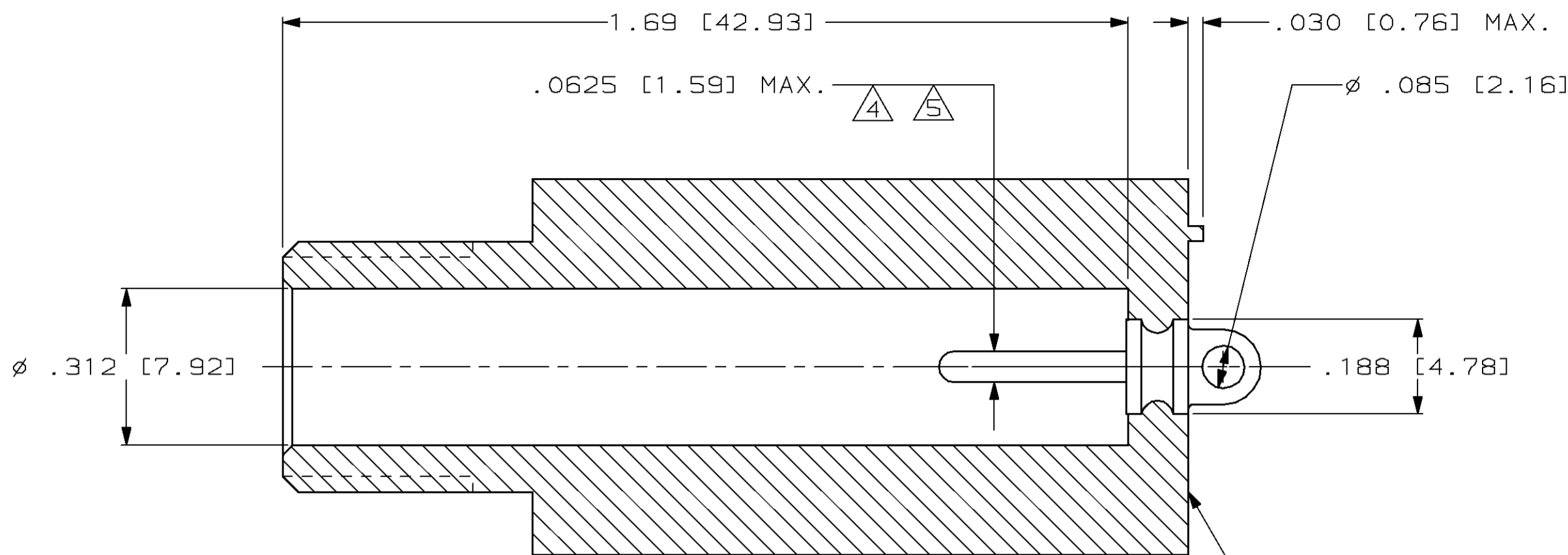


THIS DRAWING IS UNPUBLISHED. RELEASED FOR PUBLICATION .19 .
 © COPYRIGHT 19 BY AMP INCORPORATED. ALL INTERNATIONAL RIGHTS RESERVED.

PROD CODE	LOC	DIST	P	F	ZONE	LTR	DESCRIPTION	DATE	APPD
4087	DF	SO				F	REV PER 0600-5825-96 CT	10-96	SG



- ① .750 DIA AND REAR SURFACE SAND BLASTED TO PROMOTE ADHESION TO POTTING MATERIAL.
- ② GATE BREAK-OFF.
- ③ MOLDED GLASS FILLED EPOXY. COLOR: BLACK.
- ④ BRASS PER QQ-B-626.
- ⑤ FINISH: .000100 MIN. THK. TIN-PLATE, PER MIL-T-10727.

DO NOT SCALE PRINT. UNLESS SPECIFIED DIMENSIONS IN INCHES [mm]		DR	W.LEUFERT	6-14-90	AMP INCORPORATED Harrisburg, Pa. 17105
TOLERANCES ON:		CHK	D.EABY	7-19-90	
2 PLC DEC ± .01 [0.25]		APPD	D.EABY	7-19-90	ASSEMBLY, MODIFIED EYELET RECEPTACLE, LGH
3 PLC DEC ± .005 [0.13]		APPD	D.EABY	7-19-90	
ANGLES ± -		PRODUCT SPEC	-	-	NAME
MATERIAL		APPLICATION SPEC	-	-	SIZE
SEE CALLOUTS		WEIGHT	-	-	CAGE CODE
FINISH					00779
SEE CALLOUTS					DRAWING NO
					447305
					SCALE
					4:1
					SHEET
					1 of 1

AS SHOWN	447305-1
NOTE	PART NO.