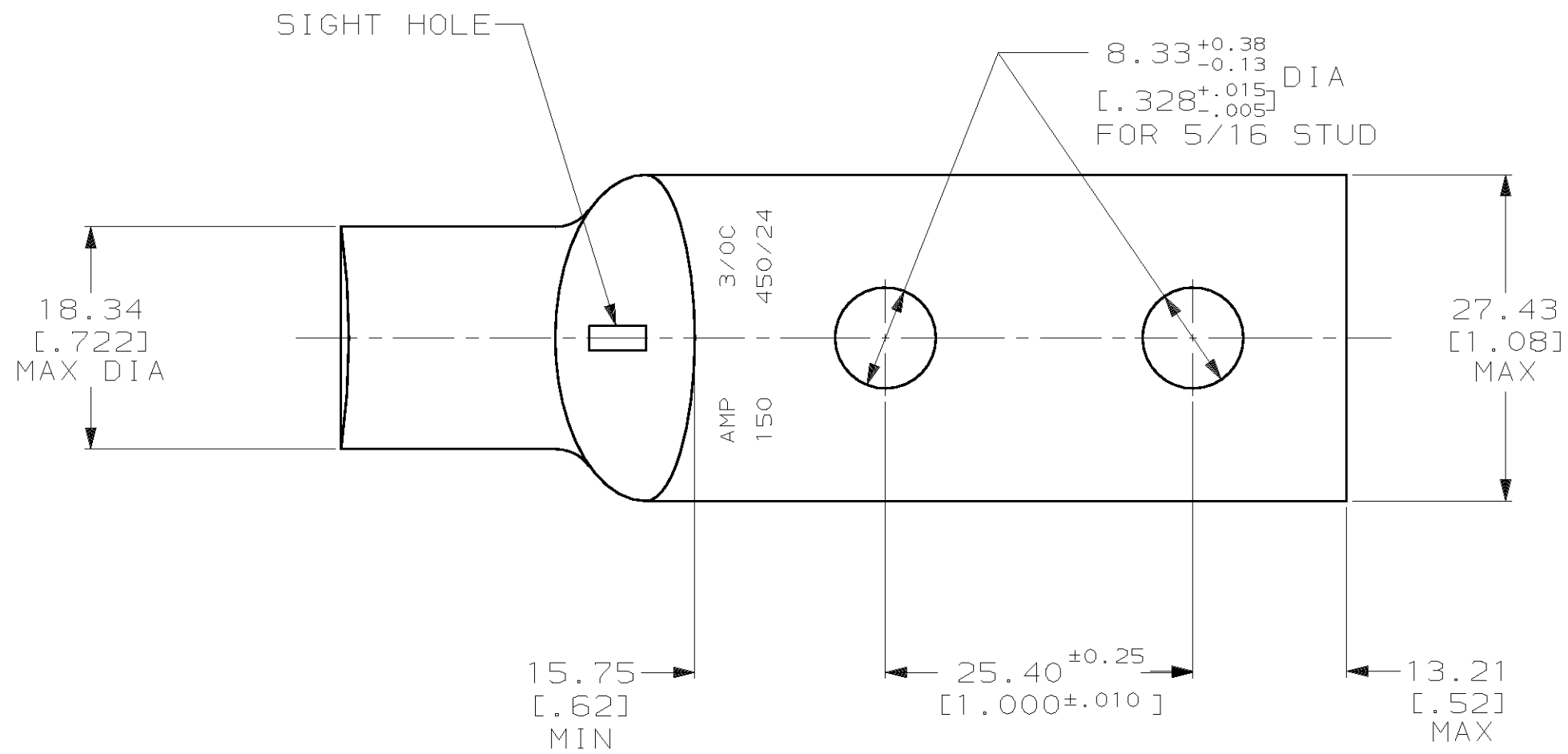
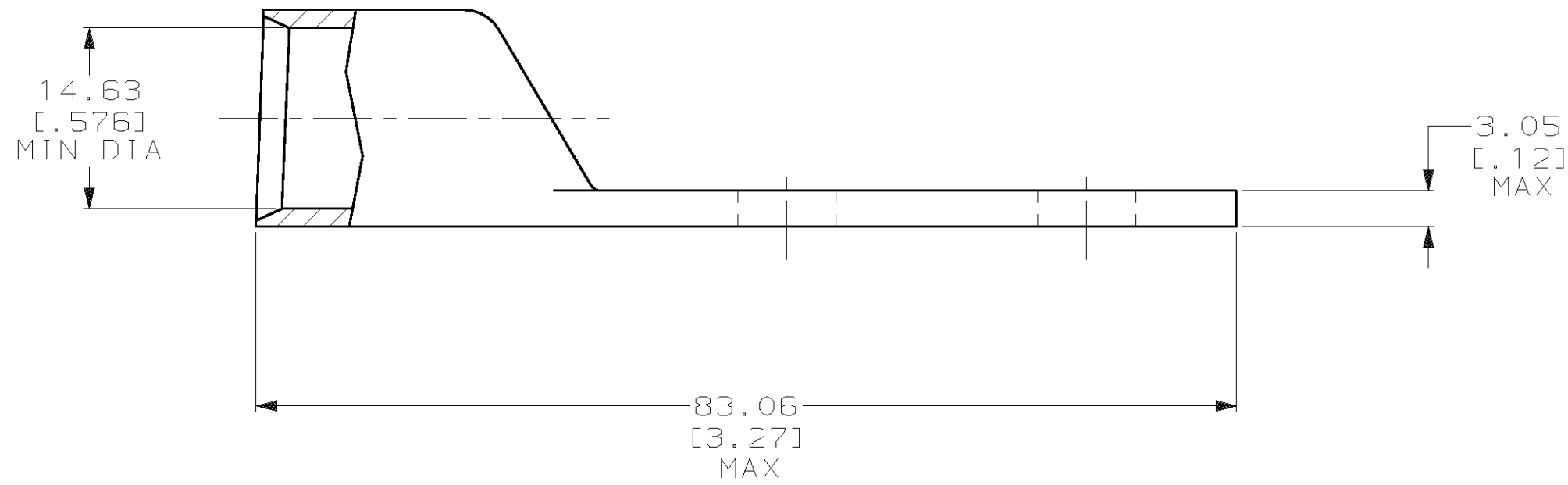


THIS DRAWING IS UNPUBLISHED. RELEASED FOR PUBLICATION ,19 .
 © COPYRIGHT 19 BY AMP INCORPORATED. ALL INTERNATIONAL RIGHTS RESERVED.

LOC		DIST		REVISIONS				DATE	APPD
ZONE	LTR	DESCRIPTION	DATE	APPD					
G	86	P	F	E	REV PER 0G3A-0561-01	070CT02	JR/MS		



1 CIRCULAR MIL AREA RANGE: 150,500-190,000 CM
 2 NICKEL PL 0.00762 [.000300] MIN THK PER QQ-N-290



DO NOT SCALE PRINT. UNLESS SPECIFIED DIMENSIONS IN mm [INCHES] TOLERANCES ON : 2 PLC DEC ± 0.51 [.020] 3 PLC DEC ± - ANGLES ± -		DR 04/05/90 DK SCHRUM	325516 PART NO	
MATERIAL ANNEALED COPPER ASTM B-75	CHK 18JAN95 MS FEHER	APPD 18JAN95 WJ VOCKROTH	AMP AMP INCORPORATED Harrisburg, Pa. 17105	
FINISH 2	APPD 18JAN95 TL SHUTTER	PRODUCT SPEC -	NAME TERMINAL, AMPPOWER, WIRE SIZE: 3/0 AWG	
APPLICATION SPEC -	WEIGHT .109 LB	SIZE C	CAGE CODE 00779	DRAWING NO 325516
		SCALE 2:1		SHEET 1 OF 1