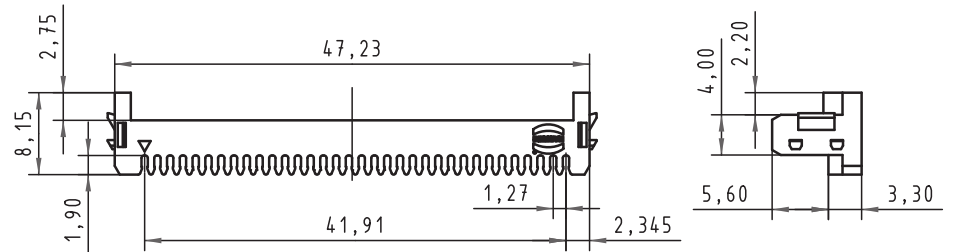
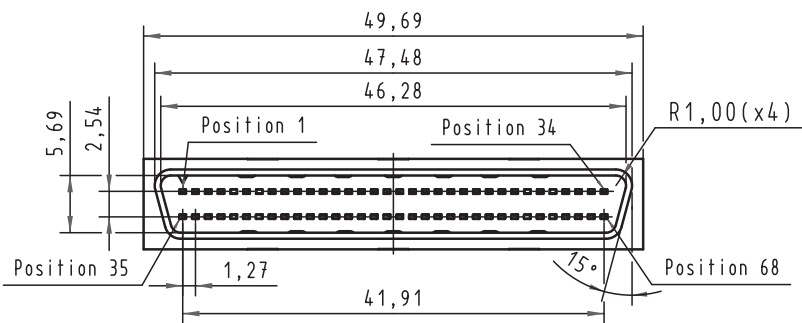
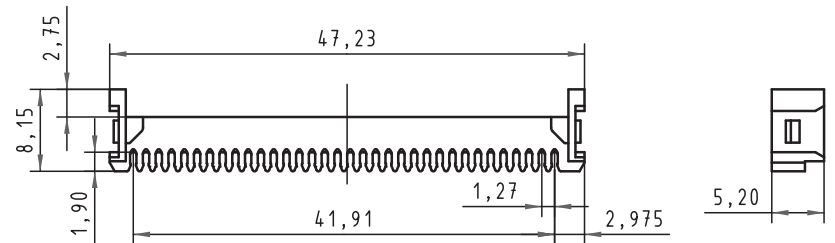
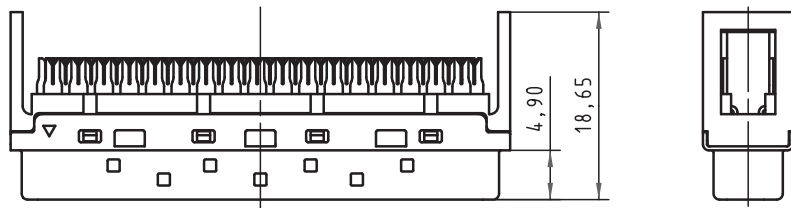


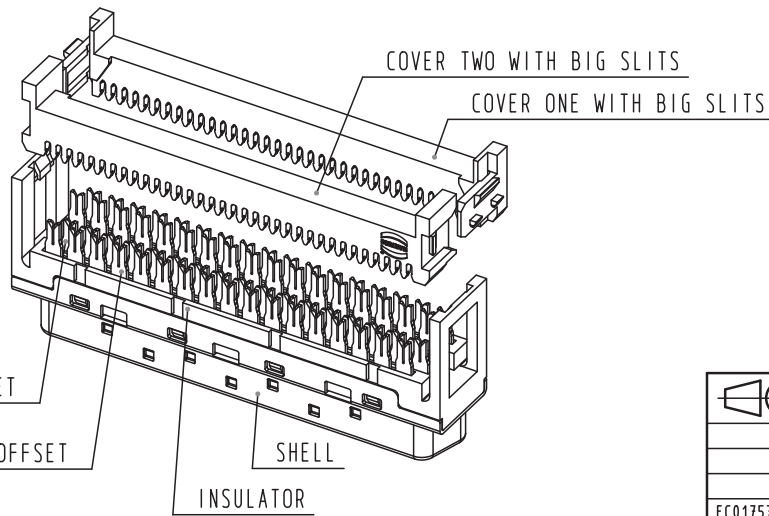
All rights reserved



COVER ONE



COVER TWO



SPECIFICATION

THIS CONNECTOR IS ACCORDING TO IEC 61076-3-101

			Techn. Character.		Free size tolerances	
			Dat.	Name	Scale	har.mik® P&S
			Detail. 02-JUNE-08	SW	2:1	68P pin&socket IDC Male connector For wire insulator O.D from 0.75mm~0.90mm
			Insp.			
EC01757	04-MAY-10	Yuri Guo	Stand.			
EC01730	28-APR-10	Yuri Guo				
31788	28-JUL-08	SW				
Mod.	Dat.	Name	Zhuhai Harting Limited			TB 60 03 068 5215
						Sub.