

# HC-26P1N8A2300 - Device connector front mounting



1623261

<https://www.phoenixcontact.com/us/products/1623261>

Please be informed that the data shown in this PDF document is generated from our online catalog. Please find the complete data in the user documentation. Our general terms of use for downloads are valid.



Device connector front mounting, straight, Screw locking mechanism, M27, number of positions: 26, contact connection type: Pin, Flat gasket, 4x Ø 3.2, shielded: yes, degree of protection: IP67, number of positions: 26, connection method: Crimp connection, series: HC, Alternative product in accordance with RoHS II without Exemption 6c (Pb <0.1%) item no.: 1244833

## Commercial data

Item number	1623261
Packing unit	1 pc
Minimum order quantity	24 pc
Note	Made to order (non-returnable)
Sales key	AB32
Product key	ABRAJL
GTIN	4055626185132
Weight per piece (including packing)	38.88 g
Weight per piece (excluding packing)	38 g
Customs tariff number	85366990
Country of origin	DE

# HC-26P1N8A2300 - Device connector front mounting



1623261

<https://www.phoenixcontact.com/us/products/1623261>

## Technical data

### Notes

General	Order crimp contacts Ø 1 mm separately
---------	----------------------------------------

### Mounting

Mounting	4x Ø 3.2
Connection method	Crimp connection

### Product properties

Product type	Circular connectors (device side)
Number of positions	26
Connection profile	26
Application	Signal
Series	HC
Shielded	yes
Coding	N
Thread type	M27

### Material specifications

Flammability rating according to UL 94	V0
Housing material	Metal

### Electrical properties

#### Contact

Contact diameter	1 mm
Max. current	8 A
Nominal voltage $U_N$	48 V AC 74 V DC
Overvoltage category	III
Degree of pollution	3
Rated surge voltage	1.5 kV

### Connection data

#### Conductor connection

Connection method	Crimp connection
Contact connection type	Pin

### Connector

Type	straight
Direction of rotation	Standard

#### Connection 1

Head design	Plug
-------------	------

# HC-26P1N8A2300 - Device connector front mounting



1623261

<https://www.phoenixcontact.com/us/products/1623261>

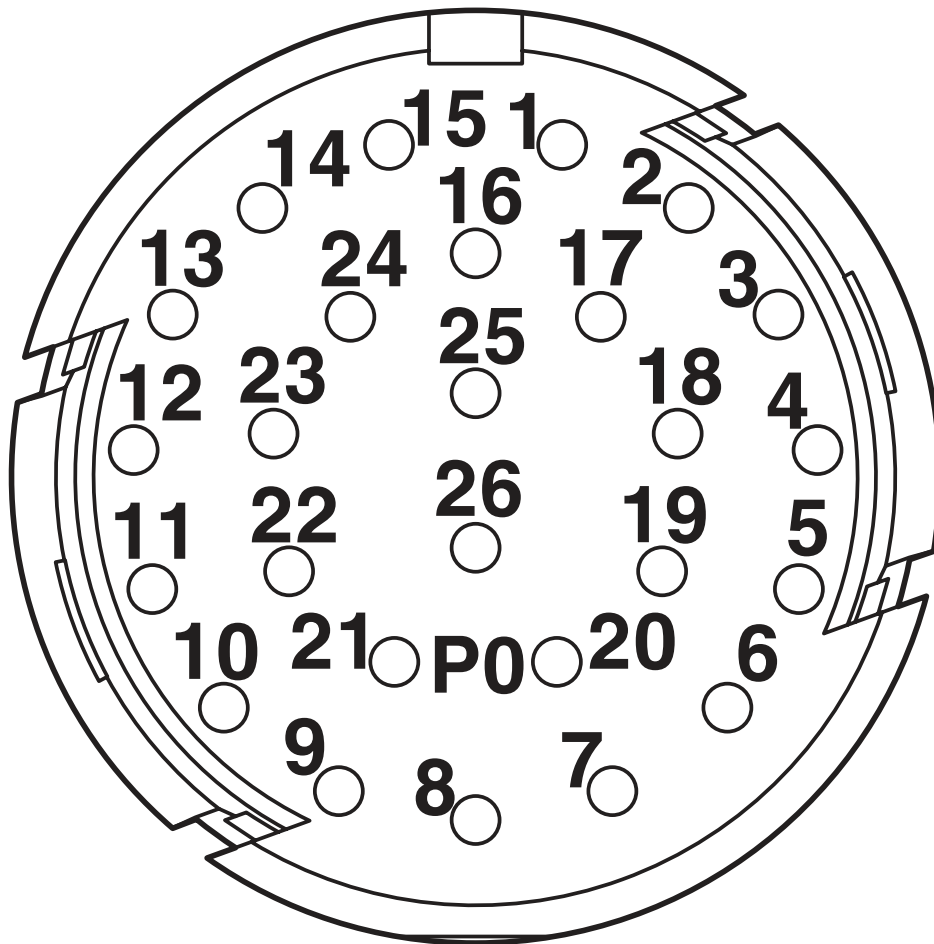
## Environmental and real-life conditions

### Ambient conditions

Degree of protection	IP67
Ambient temperature (operation)	-20 °C ... 125 °C
Altitude	2000 m

Drawings

Schematic diagram



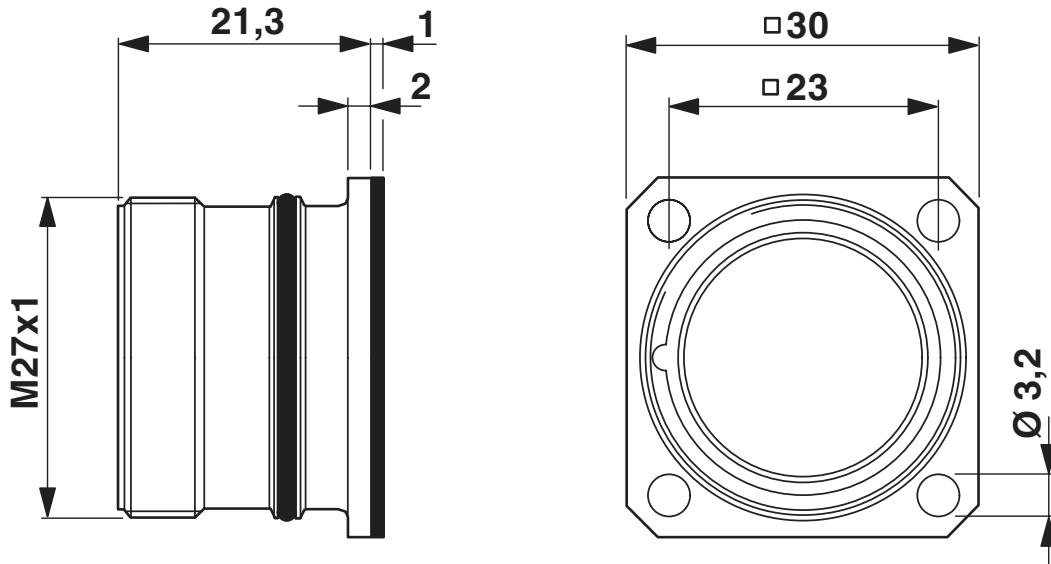
# HC-26P1N8A2300 - Device connector front mounting



1623261

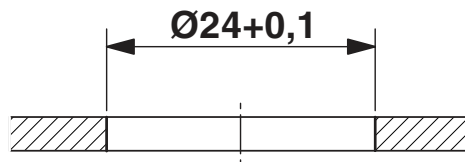
<https://www.phoenixcontact.com/us/products/1623261>

Dimensional drawing



Dimensional drawing

**4xØ3,2/M3/□23±0,1**



# HC-26P1N8A2300 - Device connector front mounting



1623261

<https://www.phoenixcontact.com/us/products/1623261>

## Classifications

### ECLASS

ECLASS-11.0	27440109
ECLASS-12.0	27440109
ECLASS-13.0	27440109

### ETIM

ETIM 8.0	EC003569
----------	----------

### UNSPSC

UNSPSC 21.0	39121400
-------------	----------

# HC-26P1N8A2300 - Device connector front mounting



1623261

<https://www.phoenixcontact.com/us/products/1623261>

## Environmental product compliance

REACH SVHC	Lead 7439-92-1
China RoHS	Environmentally Friendly Use Period = 50 years
	For information on hazardous substances, refer to the manufacturer's declaration available under "Downloads"

# HC-26P1N8A2300 - Device connector front mounting



1623261

<https://www.phoenixcontact.com/us/products/1623261>

## Accessories

### HC-11P2000 - Crimp contact

1623428

<https://www.phoenixcontact.com/us/products/1623428>



Crimp contact, Pin, turned, contact diameter: 1 mm, crimp range: 0.08 mm<sup>2</sup> ... 0.22 mm<sup>2</sup>, Alternative product in accordance with RoHS II without Exemption 6c (Pb <0.1%) item no.: 1244901

---

### HC-12P2000 - Crimp contact

1623430

<https://www.phoenixcontact.com/us/products/1623430>



Crimp contact, Pin, turned, contact diameter: 1 mm, crimp range: 0.14 mm<sup>2</sup> ... 0.56 mm<sup>2</sup>, Alternative product in accordance with RoHS II without Exemption 6c (Pb <0.1%) item no.: 1244901



# HC-26P1N8A2300 - Device connector front mounting



1623261

<https://www.phoenixcontact.com/us/products/1623261>

## HC-1KP2000 - Crimp contact

1623432

<https://www.phoenixcontact.com/us/products/1623432>



Crimp contact, Pin, turned, contact diameter: 1 mm, crimp range: 0.5 mm<sup>2</sup> ... 1 mm<sup>2</sup>, Alternative product in accordance with RoHS II without Exemption 6c (Pb <0.1%) item no.: 1244903

---

Phoenix Contact 2023 © - all rights reserved

<https://www.phoenixcontact.com>

Phoenix Contact USA  
586 Fulling Mill Road  
Middletown, PA 17057, United States  
(+717) 944-1300  
[info@phoenixcon.com](mailto:info@phoenixcon.com)