

ITEM	PART#	DESCRIPTION	QTY	UOM
A	9508080	KK 156 Crimp Housing 08 Ckt	1	PC
B	8500105	KK 156 TERMINAL CRIMP 18-24 AWG TIN	8	PC
C		PAPER PRINTED PAPER WHITE	1	PC

FROM	TO	DESCRIPTION	COLOR
A1	--	1X18AWG MPPE BK UL11028	BLACK
A2	--	1X18AWG MPPE BK UL11028	BLACK
A3	--	1X18AWG MPPE BK UL11028	BLACK
A4	--	1X18AWG MPPE BK UL11028	BLACK
A5	--	1X18AWG MPPE BK UL11028	BLACK
A6	--	1X18AWG MPPE BK UL11028	BLACK
A7	--	1X18AWG MPPE BK UL11028	BLACK
A8	--	1X18AWG MPPE BK UL11028	BLACK

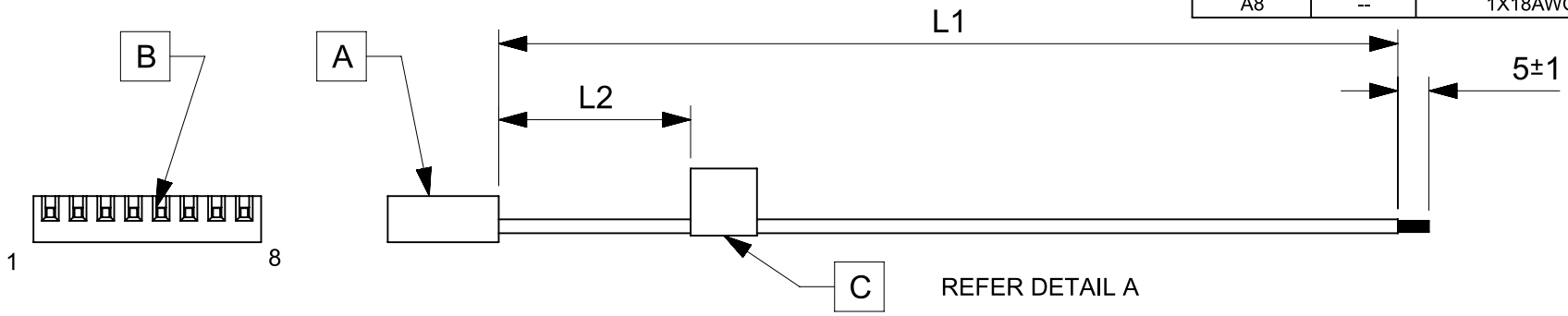


TABLE			
PART NUMBER	L1	L2 (REF)	TITLE
2196651082	150±4	50	KK 3.96 R-S 8ckt 150mm disc Sn
2196651083	300±4	50	KK 3.96 R-S 8ckt 300mm disc Sn
2196651084	600±6	50	KK 3.96 R-S 8ckt 600mm disc Sn

**NOTES**

1. Connector view shown is from mating side.
2. Label text must be 2mm max. in height with Arial font.
3. Label must be wrapped in Flag type on a single cable.
4. Free ends must be stripped, twisted & tinned. The length of tinning is 5±1mm. Tinning Dia must be 1.6 mm Max.

MOLEX P/N  
MOLEX  
BATCH WK/YR  
DETAIL A

REVISION			
DATE	REV	DESCRIPTION	CHANGER
2021/12/27	A	INITIAL RELEASE	SAIKIG

FUNCTIONAL SYMBOLS $\frac{F}{A} = 0$ $\frac{F}{E} = 0$ $\frac{F}{P} = 0$ DIVISIONAL SYMBOLS	THIS DRAWING CONTAINS INFORMATION THAT IS PROPRIETARY TO MOLEX ELECTRONIC TECHNOLOGIES, LLC AND SHOULD NOT BE USED WITHOUT WRITTEN PERMISSION		CURRENT REV DESC:		
	DIMENSION UNITS	SCALE	GENERAL TOLERANCES (UNLESS SPECIFIED)		
	mm	NTS	ANGULAR TOL ± °		
	4 PLACES ±		3 PLACES ±		
3 PLACES ±		2 PLACES ±		EC NO: 691733	PRODUCT CUSTOMER DRAWING DOCUMENT NUMBER: 2196651082 DOC TYPE: PSD DOC PART: 000 REVISION: A
2 PLACES ±		1 PLACE ±		DRWN: SAIKIG 2021/12/29	
1 PLACE ±		0 PLACES ±		CHK'D: MNARAYAN01 2022/01/19	
DRAFT WHERE APPLICABLE MUST REMAIN WITHIN DIMENSIONS		THIRD ANGLE PROJECTION	DRAWING	SERIES	
			A4-SIZE	219665	MATERIAL NUMBER: SEE TABLE
					CUSTOMER: GENERAL MARKET
					SHEET NUMBER: 1 OF 1