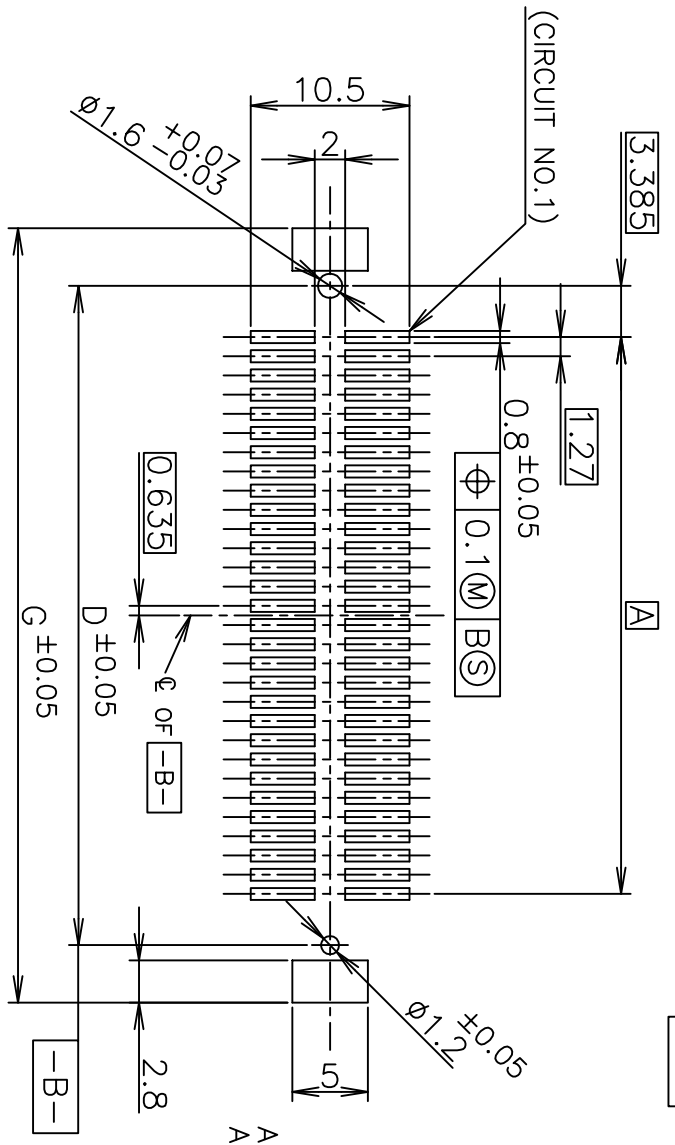
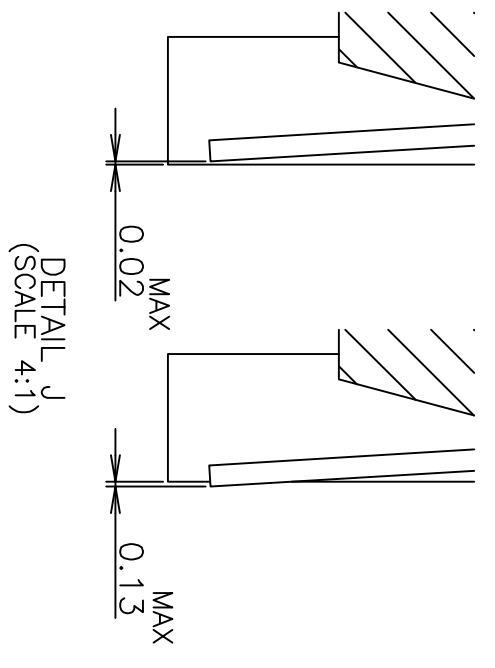
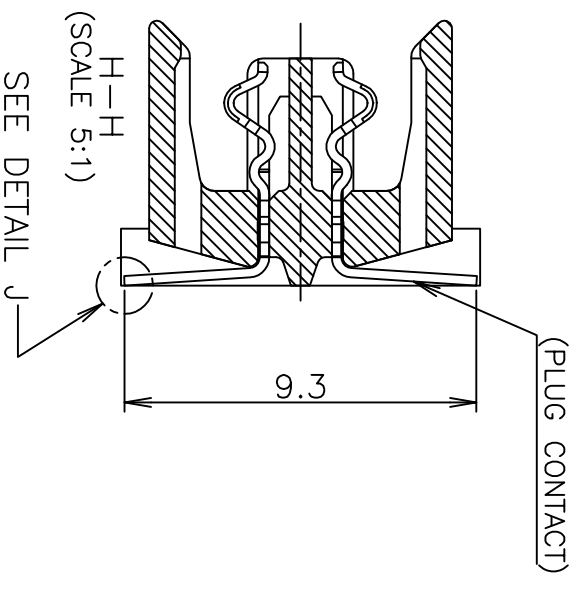
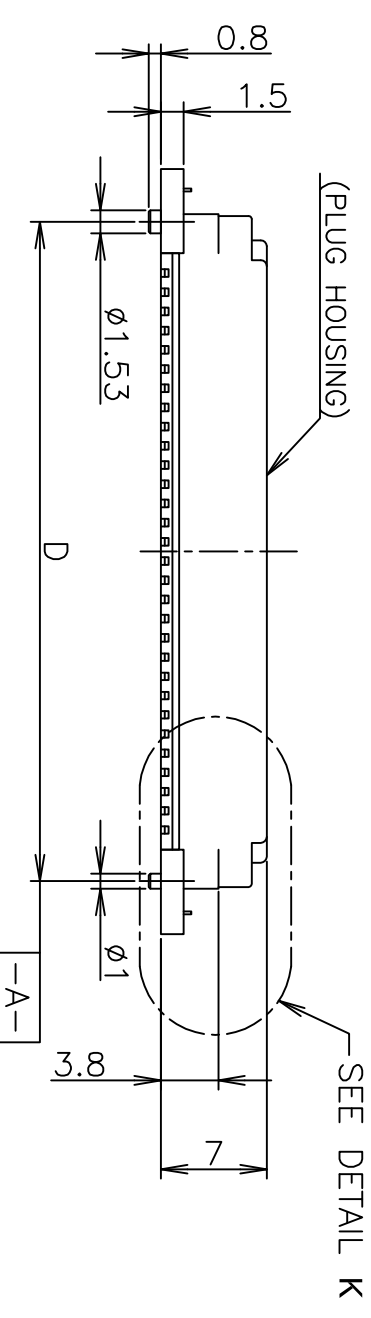
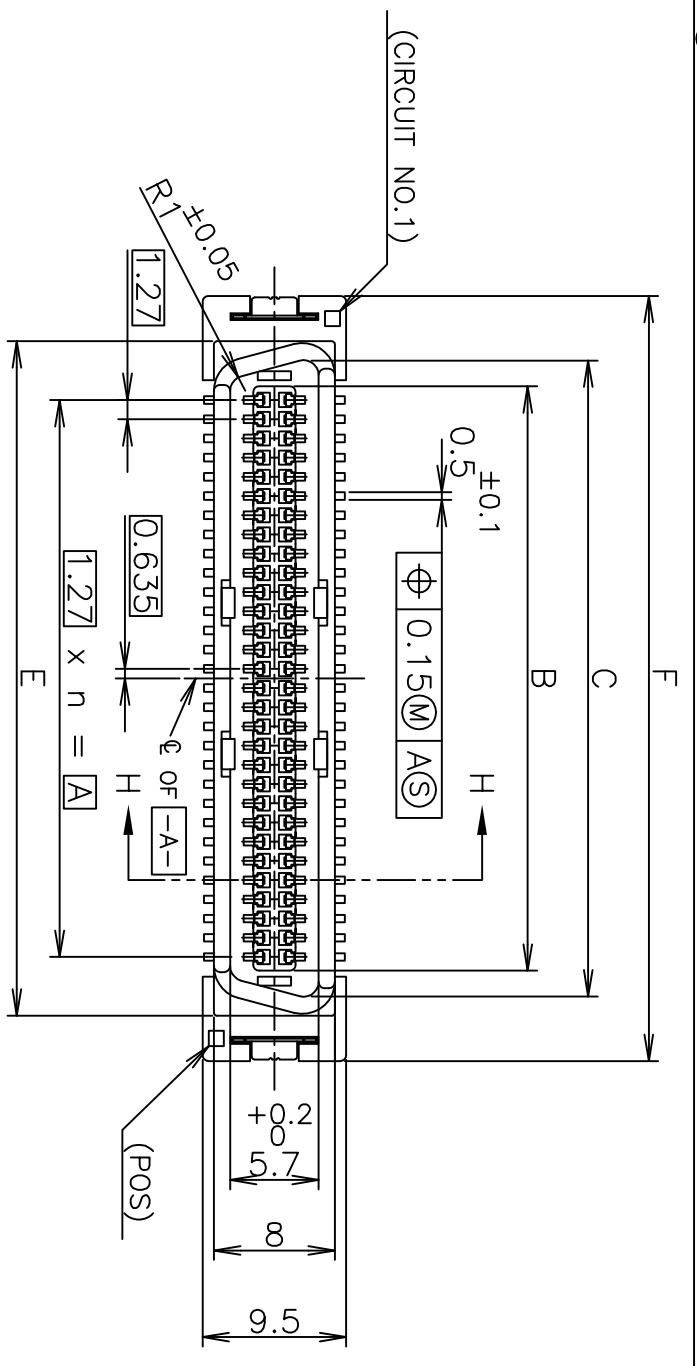
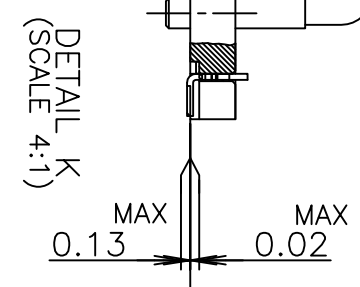
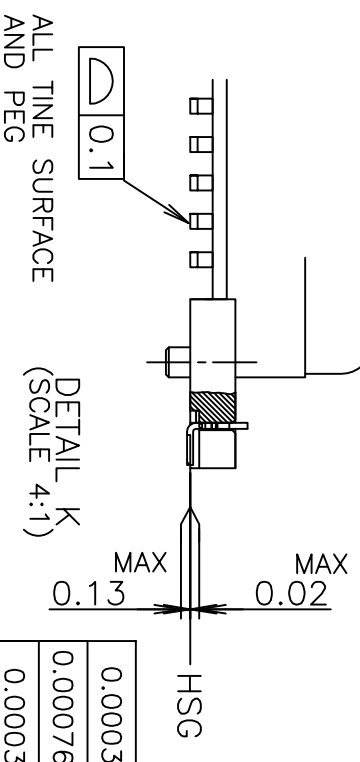


LOC		DIST		REVISIONS		
P	LTR	DESCRIPTION	DATE	DMN	APVD	
A		REVISED	16FEB2010	T.K	E.T	
B		REVISED PER ECO-15-000365	09JAN2015	H.W	J.Y	



RECOMMENDED P.C.B LAYOUT
(CONNECTOR MOUNT SIDE)



ALL TINE SURFACE
AND PEG

-2 ; AS SHOWN

Au Pl. THICKNESS	G	F	E	D	C	B	A	n	POS	P/N
0.0003 MIN.	51.2	50.6	44.6	43.6	42.07	38.63	36.83	29	60	1-5179656-2
0.00076 MIN.	51.2	50.6	44.6	43.6	42.07	38.63	36.83	29	60	2-5179656-2
0.0003 MIN.	63.9	63.3	57.3	56.3	54.77	51.33	49.53	39	80	5179656-3
0.0003 MIN.	51.2	50.6	44.6	43.6	42.07	38.63	36.83	29	60	5179656-2

THIS DRAWING IS A CONTROLLED DOCUMENT.

DIMENSIONS:		TOLERANCES UNLESS OTHERWISE SPECIFIED:	
mm		0 PLC	± 0.2
		1 PLC	± 0.2
		2 PLC	± 0.2
		3 PLC	± 0.2
		4 PLC	± 0.2
		ANGLES	± 3

DMN: ROY HAO 30AUG04
CHK: STEVEN YAO 30AUG04
APVD: I. ENOMOTO 30AUG04
PRODUCT SPEC: 108-60042
APPLICATION SPEC: 108-60042
WEIGHT: _____

Tyco Electronics
Tyco Electronics AMP K.K.
Kawasaki, Japan

AMP FH CONNECTOR
PLUG, SMT, WITH SOLDER PEG

SIZE: A3
CAGE CODE: 00779
DRAWING NO: 5179656

CUSTOMER DRAWING

SCALE: NTS
SHEET: 1 of 1
REV: B