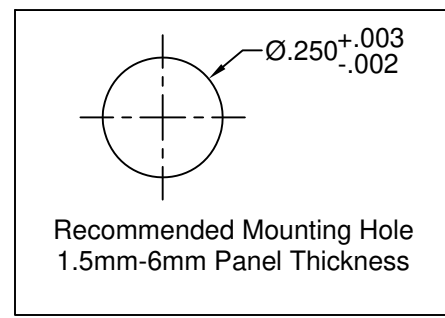
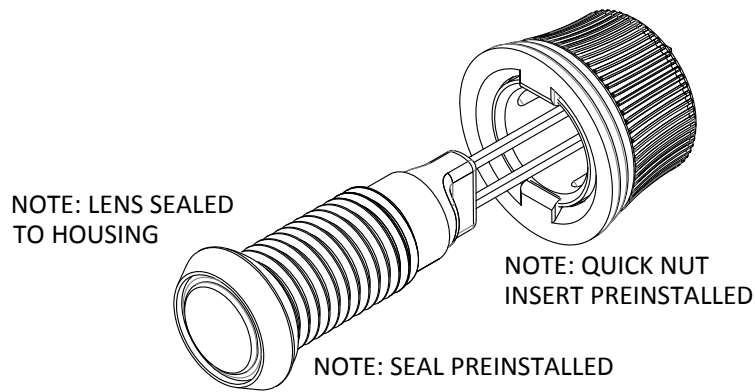
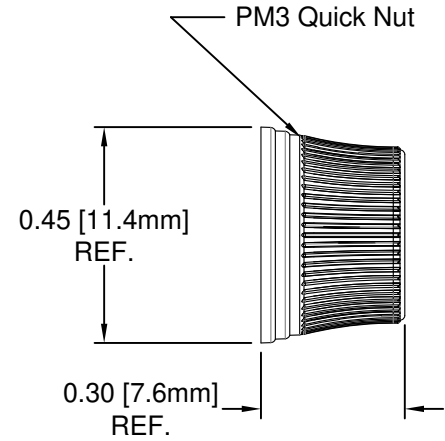
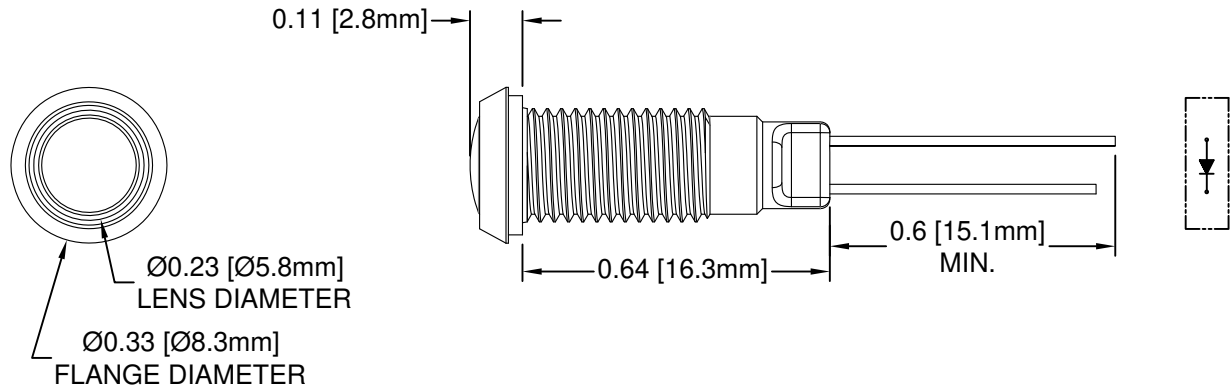


REV.	DESCRIPTION	DATE	APPROVED
A	Engineering Release	03/17/14	J. C.
B	Updated Lead Dimension	09/19/14	J. C.
C	Updated LED Optical Characteristics	09/15/15	J. C.



EXAMPLE:
PM3-KNGD

LED Color

Series

NOTES:
1. ROHS COMPLIANT
2. MOUNTING HARDWARE SHIPPED NON-ASSEMBLED

STANDARD TOLERANCE (UNLESS OTHERWISE SPECIFIED)		 4 THOMAS, IRVINE, CA. 92618 TEL: (949) 951-8808 FAX: (949) 951-3974	
DECIMALS	ANGULAR		
.X ± .1	X° ± 1°		TITLE: Quick-Mount Panel Mount Indicator
.XX ± .02			DESIGNED: Brian Oliver
.XXX ± .010		CHECKED: T. Yin	DATE: 03/17/14
		PART NO: PM3-KNXXX	REVISION: C
		CAGE CODE : 32559	SHEET # 1 OF 2
CAD GENERATED DOCUMENT. DO NOT MEASURE DRAWING.			


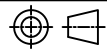
REV.	DESCRIPTION	DATE	APPROVED
	SEE SHEET #1		

Assembly Part Number	LED Part Number	Peak Wave Length λ_p (nm)	Emitted Color	Electro-Optical Data @ 20mA		Viewing Angle
				Typ Vf (VDC)	Assembly Iv (mcd)	
				TYP	TYP	
PM3-KNAD	3SAD-S	610	AMBER	2.0	45	120
PM3-KNBWD	3BWD0.245-S	470	BLUE	4.0	90	120
PM3-KNGD	3SGD-S	568	GREEN	2.1	14	120
PM3-KNRD	3SRD-S	645	RED	1.7	18	120
PM3-KNYD	3SYD-S	585	YELLOW	2.1	14	120

Assembly Part Number	LED Part Number	Color Temperature	Emitted Color	Electro-Optical Data @ 20mA		Viewing Angle
				Vf (VDC)	Assembly Iv (mcd)	
				TYP	TYP	
PM3-KNWD	3UWD2.555N	5000K	NEUTRAL WHITE	3.2	1500	120

ABSOLUTE MAXIMUM RATINGS (Ta = 25°C)

MAXIMUM REVERSE VOLTAGE _____	5V
MAXIMUM POWER DISSIPATION _____	150 mW
OPERATING TEMPERATURE RANGE _____	-30°C ~ 85°C
STORAGE TEMPERATURE _____	-40°C ~ 85°C

STANDARD TOLERANCE (UNLESS OTHERWISE SPECIFIED) DECIMALS ANGULAR		 4 THOMAS, IRVINE, CA. 92618 TEL: (949) 951-8808 FAX: (949) 951-3974		
				TITLE: Quick-Mount Panel Mount Indicator
DESIGNED: Brian Oliver	DATE: 03/17/14	PART NO: PM3-KNXXX		REVISION: C
CHECKED: T. Yin	DATE: 03/17/14	CAGE CODE : 32559	SHEET # 2 OF 2	
CAD GENERATED DOCUMENT. DO NOT MEASURE DRAWING.				