

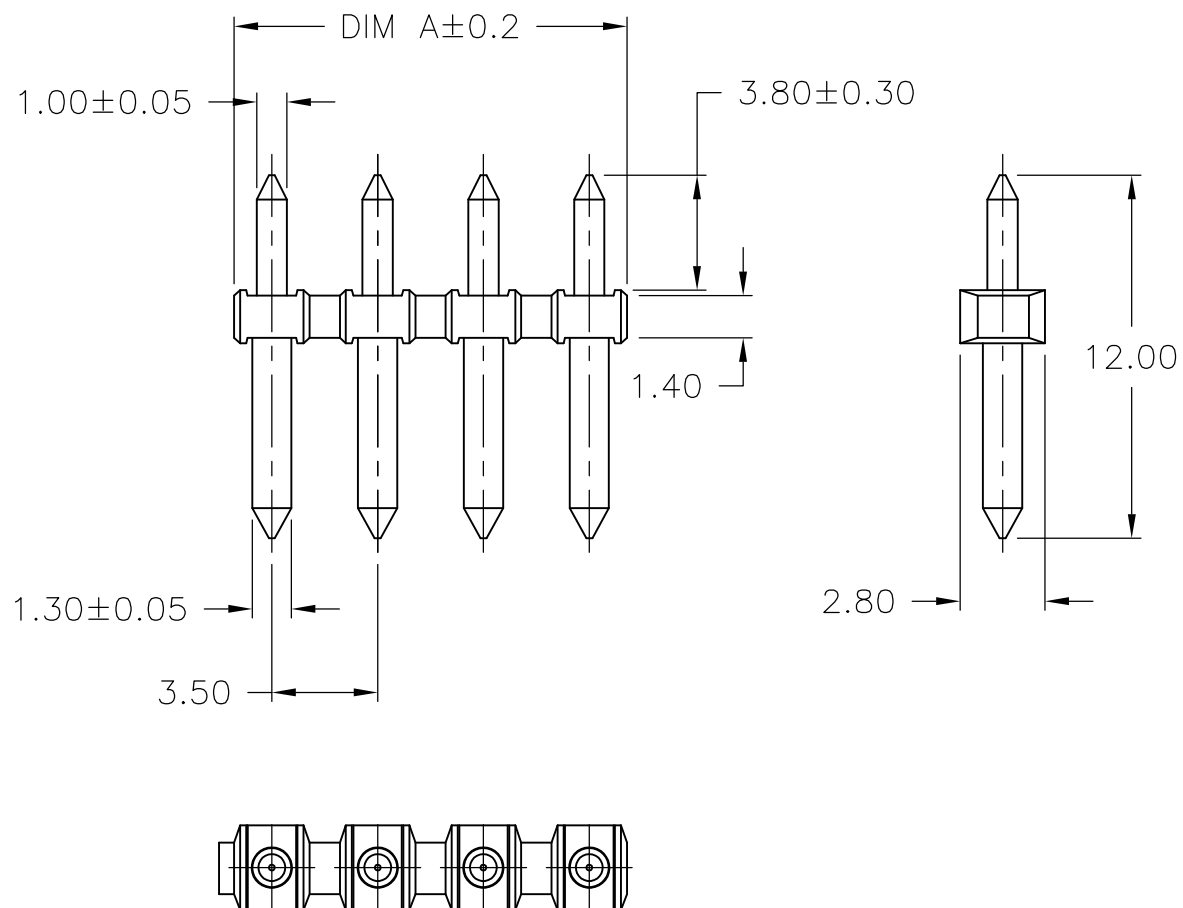
THIS DRAWING IS UNPUBLISHED. RELEASED FOR PUBLICATION
 © COPYRIGHT BY TYCO ELECTRONICS CORPORATION. ALL RIGHTS RESERVED.

LOC	DIST	REVISIONS			
P	LTR	DESCRIPTION	DATE	DWN	APVD
FT	0	2	REVISED PER ECO-07-018768	8/14/07	SS CR

MATERIAL:
 HOUSING: PA66, UL94V-0, BLACK
 PIN: BRASS, TIN PLATED

ELECTRICAL:
 CURRENT RATING: 10A
 VOLTAGE RATING: 300V
 WITHSTANDING VOLTAGE: AC1500V/1 MIN
 INSULATION RESISTANCE 5000Mohm/DC1000V

ENVIRONMENT:
 OPERATING TEMP.: -40°C TO +105°C



THIS PRINT IS
PRELIMINARY
 PRIOR TO CUSTOMER ORDER
 CONTACT PRODUCT ENGINEERING
 BEFORE USING THIS PRINT

83.00	24	2-1986156-4
16.50	5	1986156-5
13.00	4	1986156-4
9.50	3	1986156-3
6.00	2	1986156-2
DIM A	NO OF POS	PART NUMBER

THIS DRAWING IS A CONTROLLED DOCUMENT.		DWN S SCHLEGEL 03APR2007	Tyco Electronics Corporation Harrisburg, PA 17105-3608		
DIMENSIONS: mm		CHK C RICHARD 4/3/07	NAME UNSHROUDED, PIN HEADER, 3.5mm		
TOLERANCES UNLESS OTHERWISE SPECIFIED:		APVD C RICHARD 4/3/07	PRODUCT SPEC -		
<ul style="list-style-type: none"> 0 PLC ± - 1 PLC ± 0.2 2 PLC ± 0.10 3 PLC ± - 4 PLC ± - ANGLES ± 1° 		APPLICATION SPEC -		RESTRICTED TO -	
MATERIAL -		FINISH -	WEIGHT -	SIZE A3	CAGE CODE 00779
CUSTOMER DRAWING			DRAWING NO G-1986156	SCALE 4:1	SHEET 1 OF 1
				REV 2	