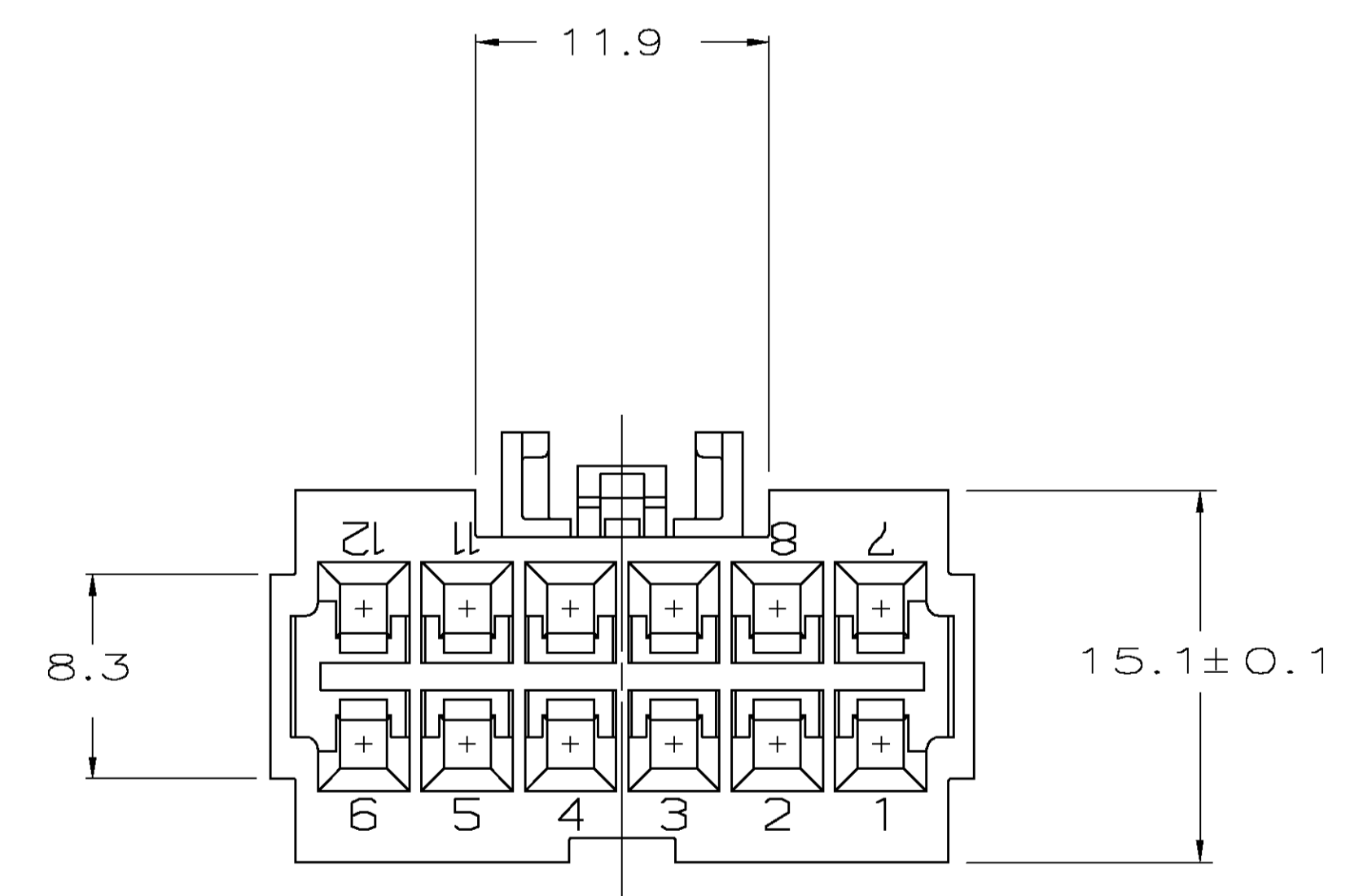
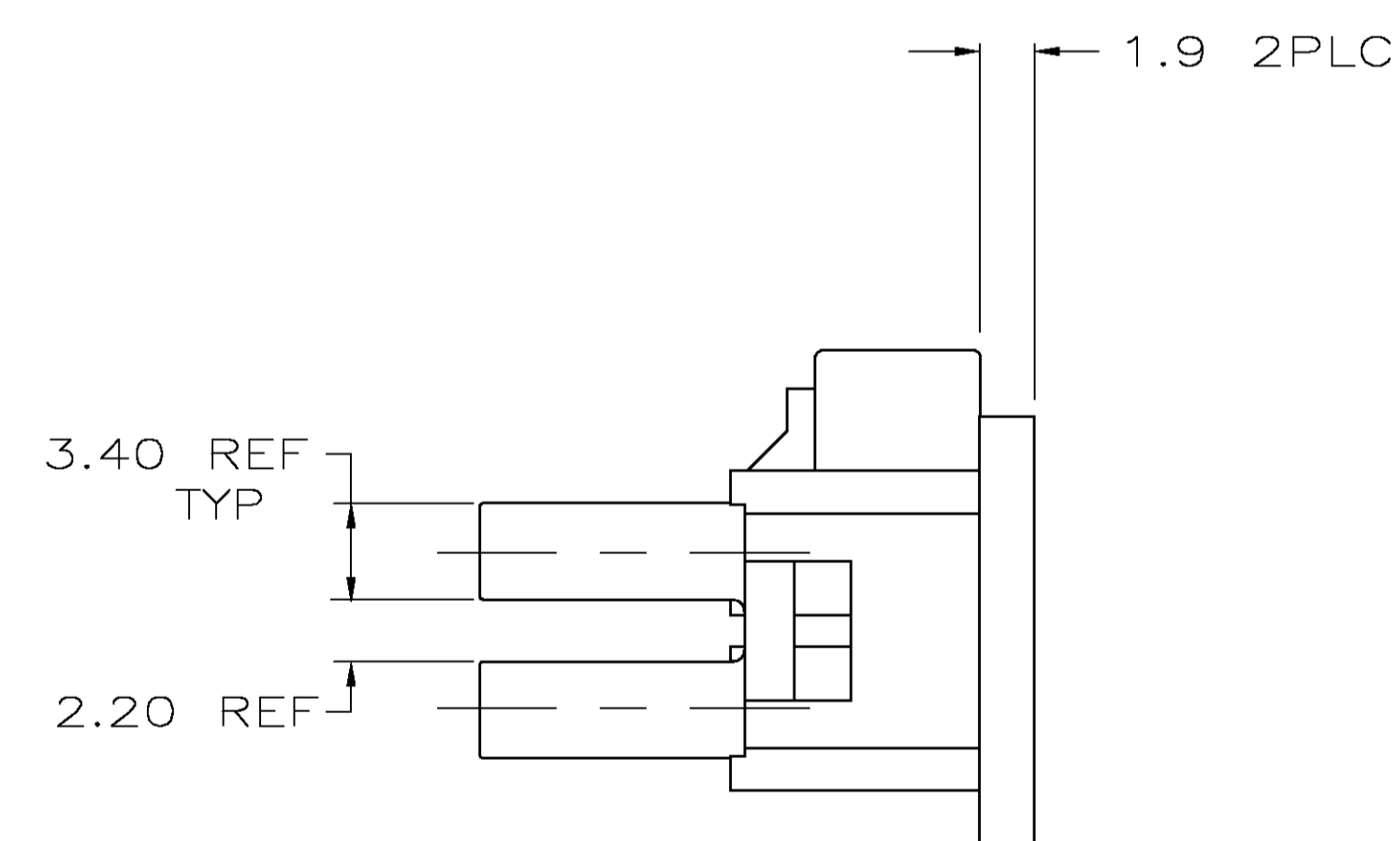
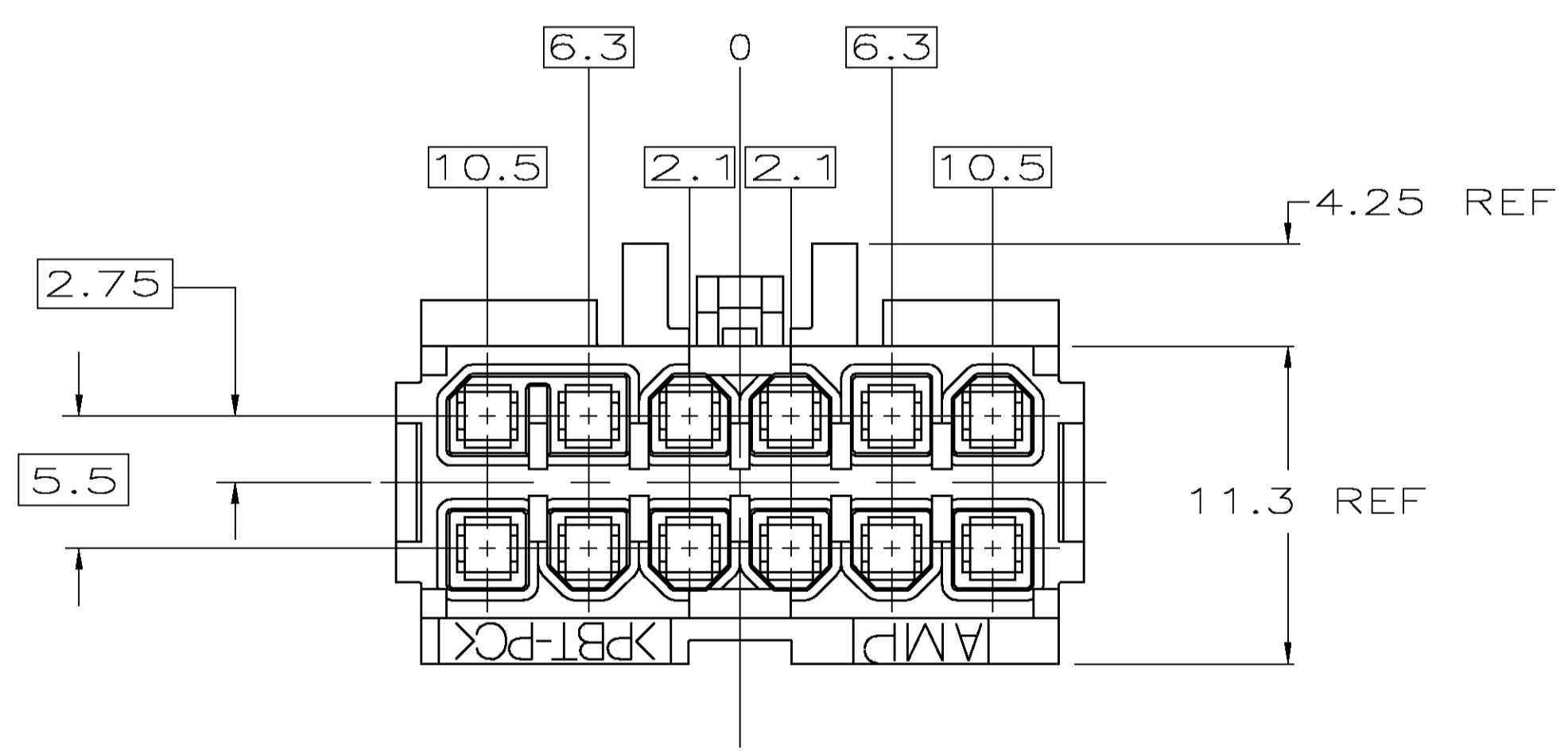


1. FOR USE WITH AMP-DUAC™ SOCKET CONTACTS (EX: 794138-2, 794139-2, 794140-2, 794416-1, 794417-1, 794418-1). TERMINAL MUST BE INSERTED INTO RECEPTACLE HOUSING SO THAT THE TOP OF THE WIRE AND INSULATION CRIMPS FACE THE INTERIOR OF THE HOUSING.
2. FOR SECONDARY LOCKING OF SOCKET CONTACTS, USE POSITION LOCK 794145-6 (1 REQUIRED).
3. RECEPTACLE HOUSING AND POSITION LOCK AVAILABLE AS BULK KIT, P/N 794322-1.
4. MATES WITH AMP-DUAC/PL™ 12 CIRCUIT HEADERS, RIGHT ANGLE (EX: 794176-2).
5. REQUIRES LATCH ASSEMBLY 794150-1 (STANDARD) OR 794149-1 (EXTENDED).
6. KEYING PLUG: 794144-1.



794156-1
PART NUMBER

THIS DRAWING IS A CONTROLLED DOCUMENT.		DMN AL FRANTUM 17 AUG 04	 Tyco Electronics Corporation Harrisburg, Pa 17105-3608
DIMENSIONS: mm		CHK AL FRANTUM 17 AUG 04	
TOLERANCES UNLESS OTHERWISE SPECIFIED:		APVD	NAME
0 PLC ± -	1 PLC ± 0.2	PRODUCT SPEC	HOUSING, RECEPTACLE
2 PLC ± 0.13	3 PLC ± -	APPLICATION SPEC	12 CIRCUIT
4 PLC ± -	ANGLES ± 0.30°	SIZE	AMP-DUAC/PL POWER CONNECTOR
MATERIAL	FINISH	114-6067	RESTRICTED TO
WEIGHT		A1 00779	794156
CUSTOMER DRAWING		SCALE 4:1	SHEET 1 OF 1 REV E

METRIC