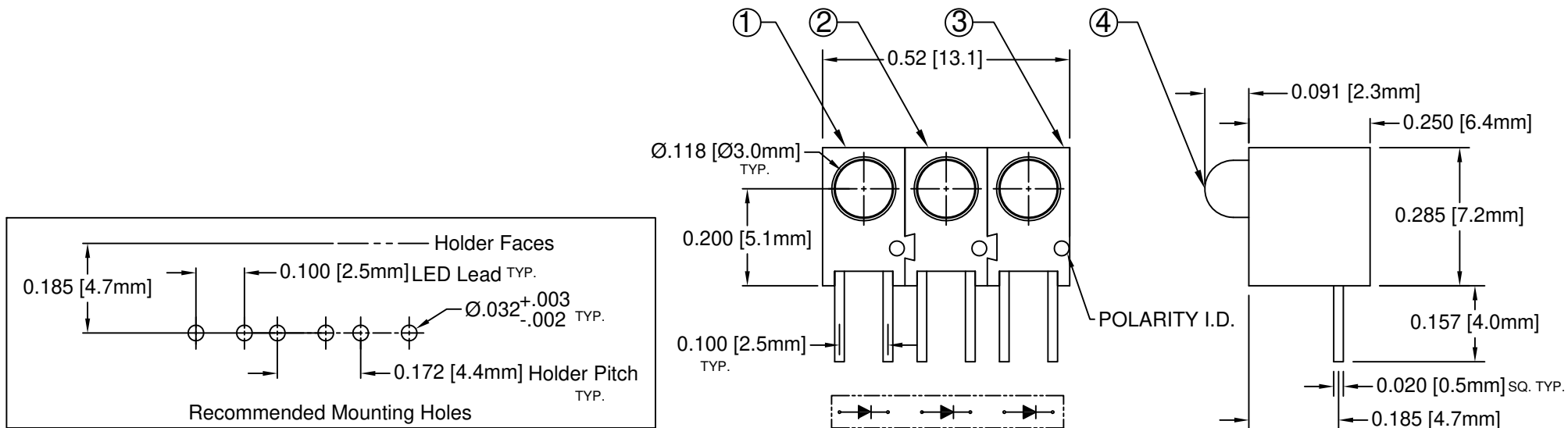


ITEM	Q'TY	PART NUMBER	PART DESCRIPTION
1	1	H-102C	T1 (3mm) LED Holder, 90° Mount, Interlocking Left End
2	1	H-100C	T1 (3mm) LED Holder, 90° Mount, Interlocking Center
3	1	H-103C	T1 (3mm) LED Holder, 90° Mount, Interlocking Right End
4	3	3GDL-S	T1 (3mm) Shouldered LED, Green Diffused, Low Current

REV.	DESCRIPTION	DATE	APPROVED
A	Engineering Release	12/18/01	M. C.
B	Engineering Update, Corrected View From Single to Triple Station	09/28/04	M. C.
C	LED Update	02/25/10	T. Y.
D	Engineering Update w/o Changes	06/20/16	J. C.



LED Part No.	Chip			Lens Appearance	Absolute Max. Ratings				Electro-Optical Data @ 2mA			Viewing Angle 2 $\theta_{1/2}$ (Deg)
	Material	Peak Wave Length λ_p (nm)	Emitted Color		$\Delta\lambda$ (nm)	Pd (mW)	If (mA)	Peak If (mA)	Vf (V)		Iv (mcd)	
									TYP	MAX	TYP	
3GDL-S	GaP/GaP	568	GREEN	DIFFUSED	-	10	7	-	2.1	2.6	2	40

ABSOLUTE MAXIMUM RATINGS (Ta = 25°C)

REVERSE VOLTAGE	_____	5V
REVERSE CURRENT (VR=5V)	_____	100 μ A
OPERATING TEMPERATURE RANGE	_____	-25°C ~ 85°C
STORAGE TEMPERATURE	_____	-30°C ~ 100°C
LEAD SOLDERING TEMPERATURE (1/16" FROM BODY)	_____	260°C for 5 Seconds

STANDARD TOLERANCE (UNLESS OTHERWISE SPECIFIED)		BIVAR®	
DECIMALS	ANGULAR	4 THOMAS, IRVINE, CA. 92618 TEL: (949) 951-8808 FAX: (949) 951-3974	
.X $\pm .1$	X° $\pm 1^\circ$	TITLE: T1 (3mm) TRI-STATION ASSEMBLY PART NO: H103CGDL REVISION: D	
.XX $\pm .02$			
.XXX $\pm .010$			
DESIGNED: S. Irving	DATE: 12/18/01	CAGE CODE : 32559 SHEET # 1 OF 1	
CHECKED: M. Chen	DATE: 12/18/01	CAD GENERATED DOCUMENT. DO NOT MEASURE DRAWING.	