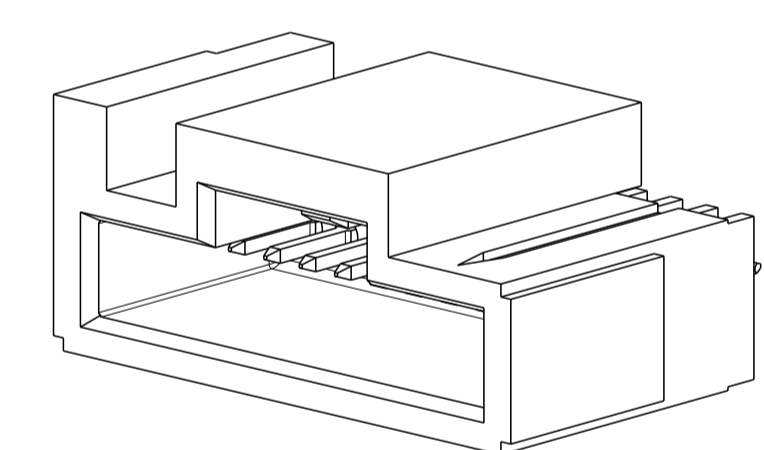
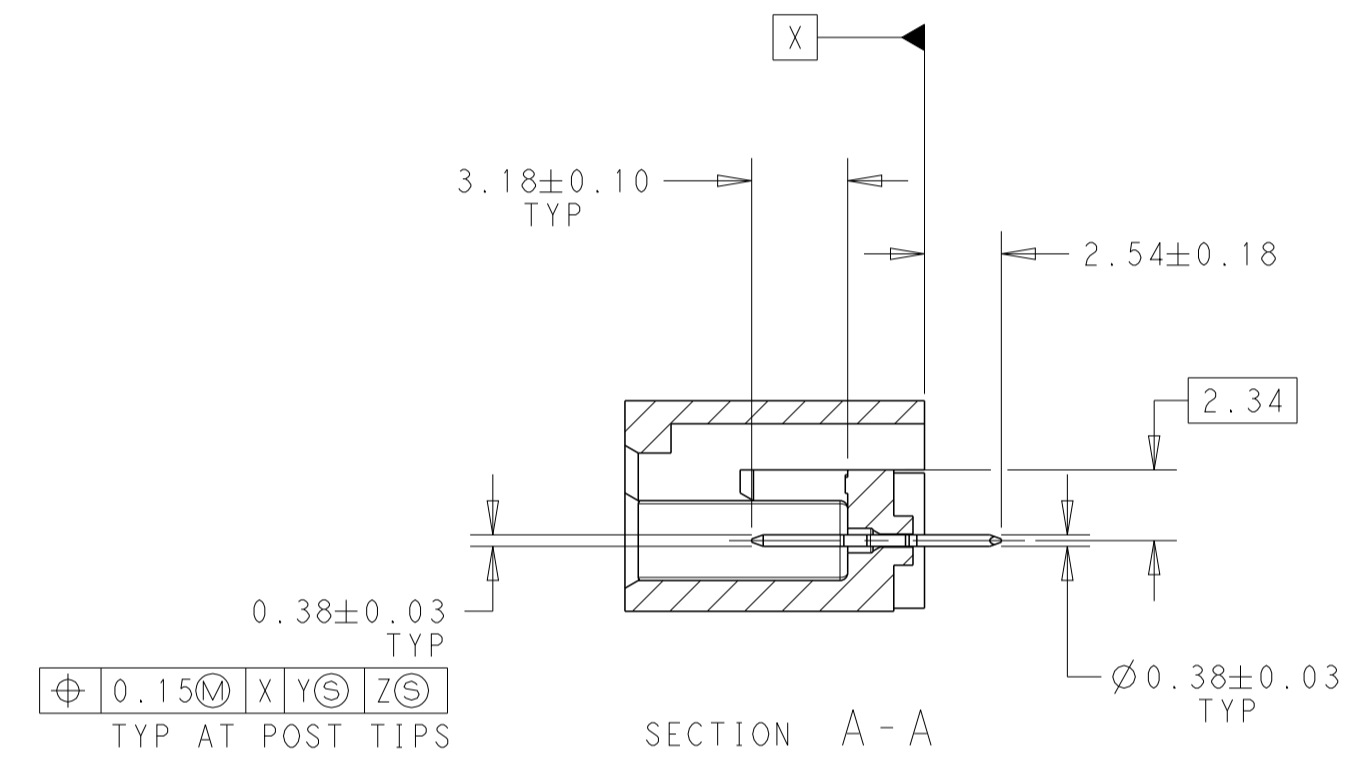
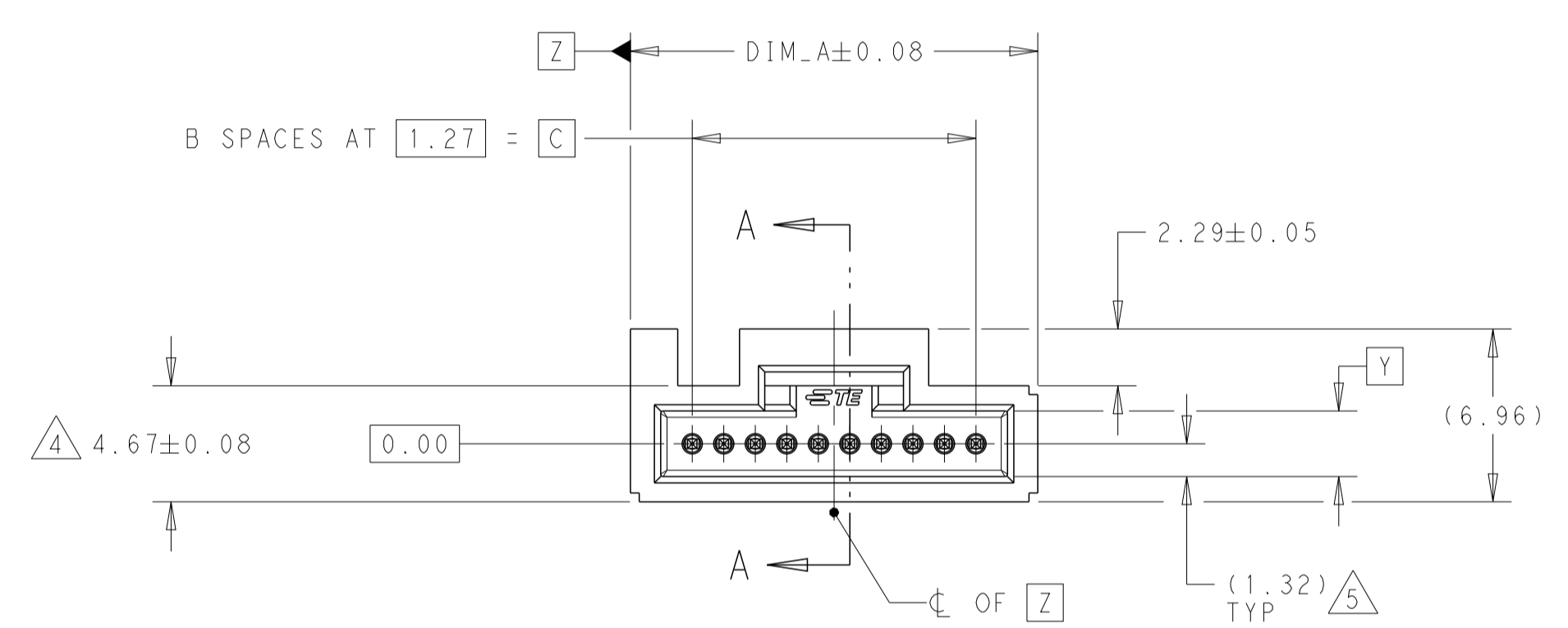
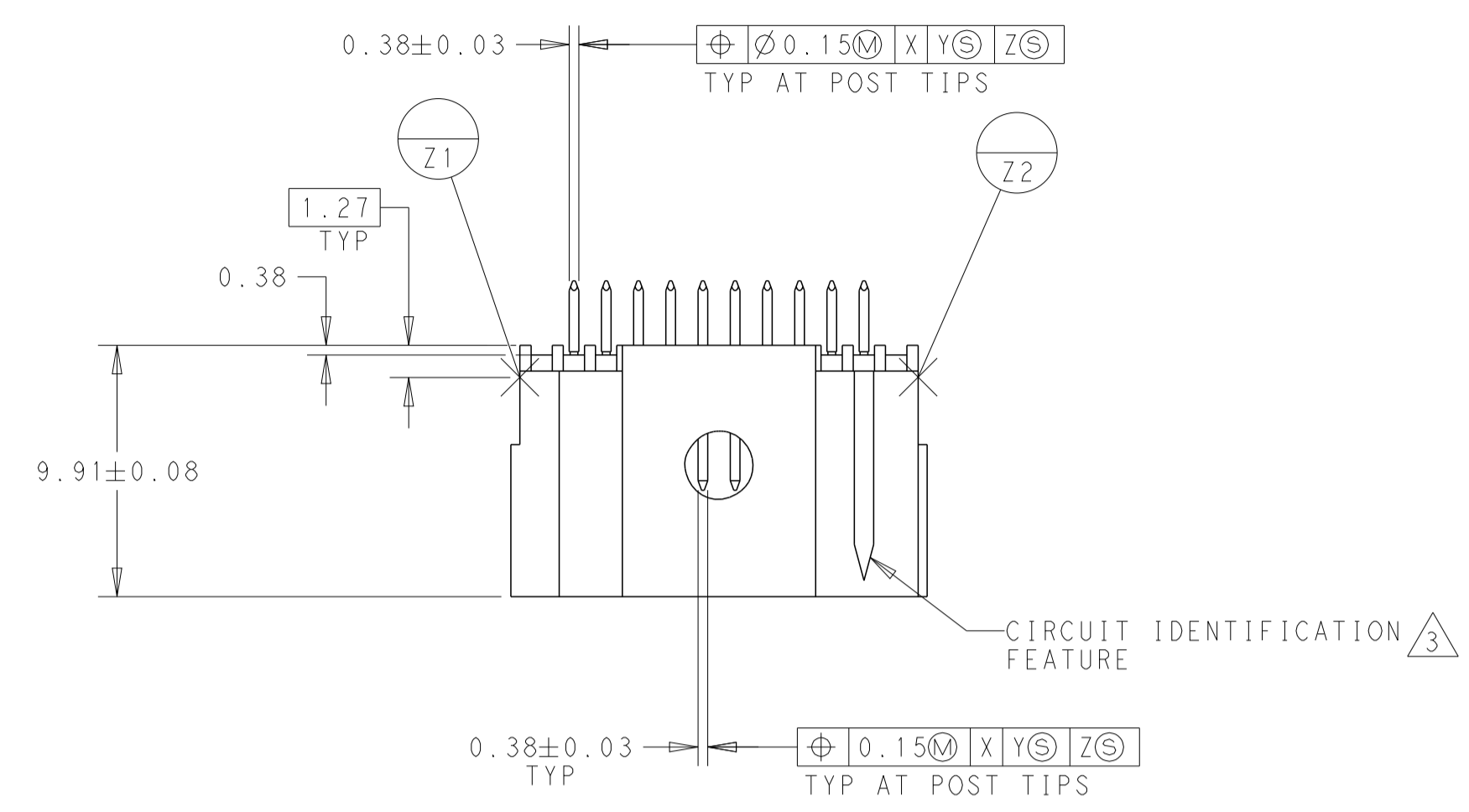
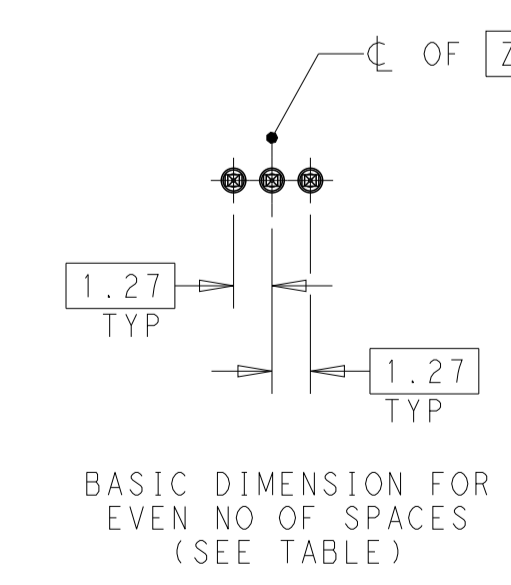
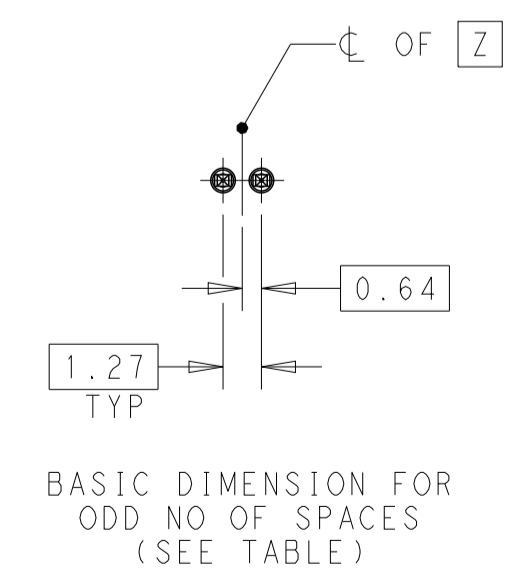
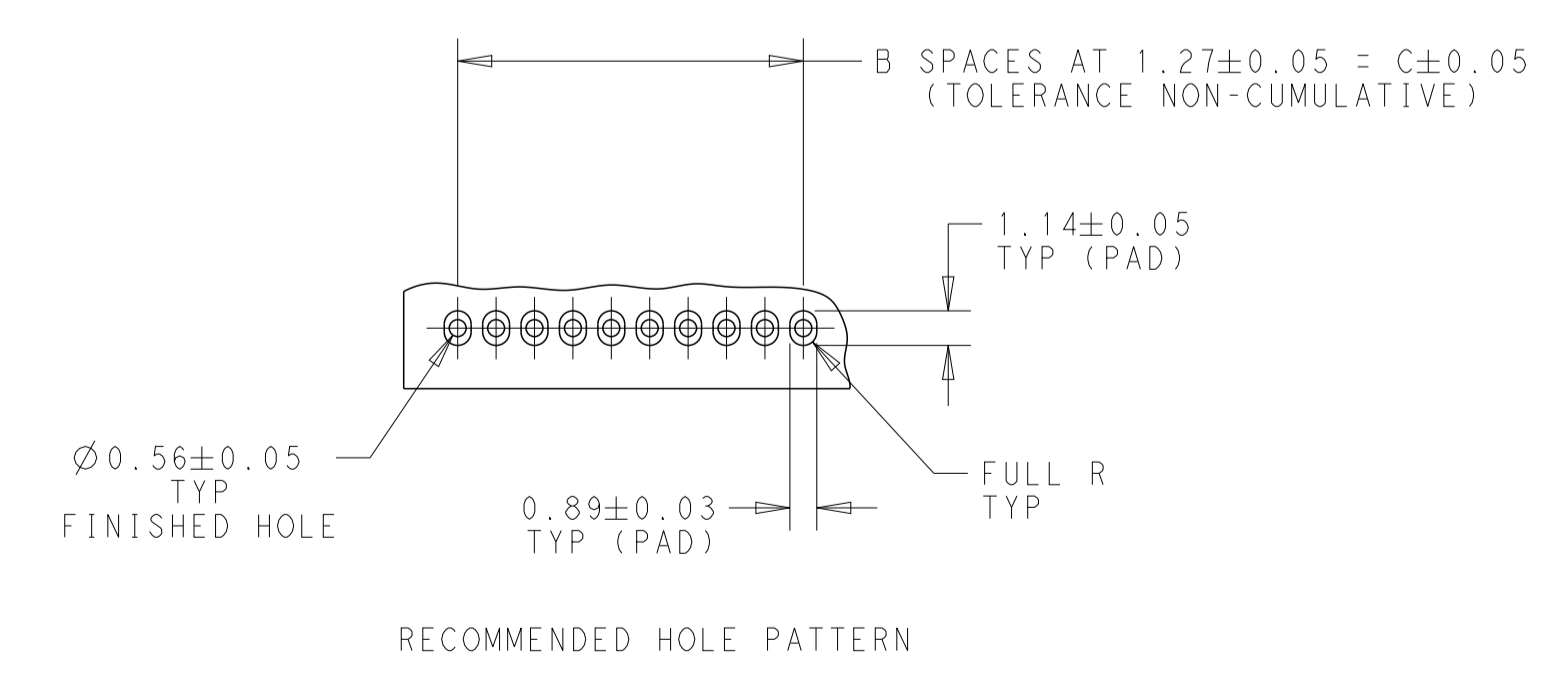


REVISIONS				
P	LTN	DESCRIPTION	DATE	APVD
E		REDRAWN/REVISED PER ECO-17-001745	22NOV2017	KS JO



SCALE 5:1



- △ CONTACT AREAS PLATED WITH 0.76µm GOLD, SOLDER TAILS PLATED WITH 3.81µm TIN-LEAD, ALL OVER 1.27µm MIN NICKEL
- 2. NOTE DELETED.
- △ CIRCUI IDENTIFICATION FEATURE OMITTED ON 4,5,6 & 7 POSITION HEADER ASSEMBLIES
- △ DIMENSIONS APPLY AT BASE OF SHROUD
- △ THE NOTED DIMENSIONS APPLY AT THE INTERSECTION OF THE POST & HOUSING
- 6. NOTE DELETED.
- △ CONTACT AREAS PLATED WITH 0.76µm GOLD, SOLDER TAILS PLATED WITH 3.81µm TIN, ALL OVER 1.27µm MIN NICKEL
- △ FINISH: 0.03µm MIN GOLD ON GOLD PLATED AREA, 3.81µm MATTE TIN-LEAD ON TIN PLATE AREA. UNDER PLATING SHOULD BE 1.27µm NICKEL ON ENTIRE CONTACT. GOLD AND TIN PLATING MAY NOT OVERLAP
- △ FINISH: 0.03µm MIN GOLD ON GOLD PLATED AREA, 3.81µm MATTE TIN ON TIN PLATE AREA. UNDER PLATING SHOULD BE 1.27µm NICKEL ON ENTIRE CONTACT. GOLD AND TIN PLATING MAY NOT OVERLAP
- 10. NOTE DELETED.
- △ MATERIAL - HOUSING: LCP, COLOR-BLACK  
CONTACT: COPPER ALLOY

FINISH	DIM_C	B SPACES	DIM_A	NO OF POSN	PART NUMBER
△9	11.43	9	16.41	10	7-146085-1
△	11.43	9	16.41	10	5-146085-1
△8	11.43	9	16.41	10	2-146085-1
△	11.43	9	16.41	10	146085-1

THIS DRAWING IS A CONTROLLED DOCUMENT. DWN R. SHRISHAIL 22NOV2017  
 CHK J. OLSON 22NOV2017

TE Connectivity

NAME: HEADER ASSEMBLY, VERTICAL, SINGLE ROW, W/ SHROUDED SIDE LATCH, AMPMODU SYSTEM 50

PRODUCT SPEC: 108-1093

APPLICATION SPEC: 114-25031

SIZE: 114-25031

WEIGHT: -

CUSTOMER DRAWING

SCALE: 4:1

SHEET 1 OF 1

REV E