



## Part Number: D3C3841

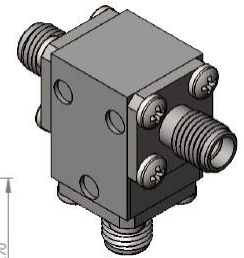
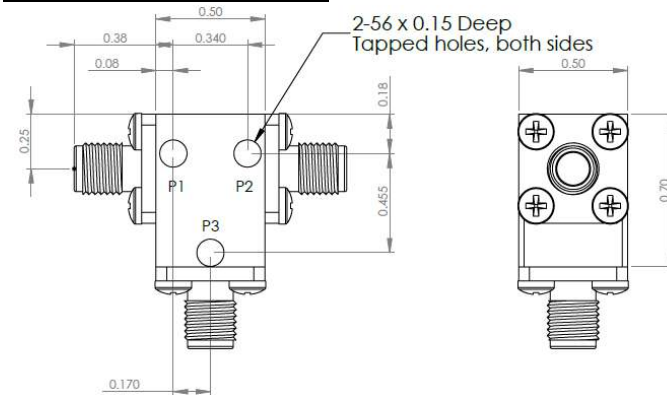
### Electrical Specifications

|                        |                |
|------------------------|----------------|
| Frequency Range (GHz): | 38.0 – 41.0    |
| Isolation (dB):        | 17 MIN         |
| Insertion Loss (dB):   | 1.0 MAX        |
| VSWR:                  | 1.3:1 MIN      |
| Forward Power (W):     | 5 AVG<br>30 PK |

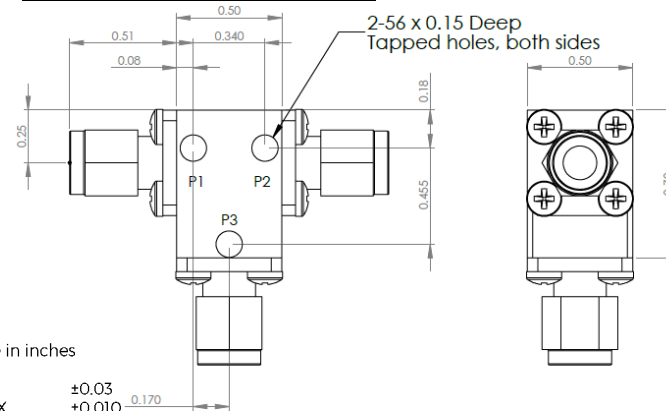
### Mechanical/Environmental Specifications

|                   |                            |
|-------------------|----------------------------|
| Connector Type:   | K (2.9mm)                  |
| Connector Body:   | Passivated stainless steel |
| Connector Pin:    | Gold plated copper         |
| Load Body:        | Brass                      |
| Magnetic Shunt:   | Nickel plated CRS          |
| Operational Temp: | -20°C to +65°C             |
| Weight (oz)       | 0.9 MAX                    |

### D3C3841 Dimensions



### D3C3841-3 Dimensions



Dimensions are in inches  
Tolerance

XX ±0.03  
XXX ±0.010

| Type of Device  | PN Suffix | Connector Configuration<br>Input / Output | PN Example |
|---|-----------|---|------------|
| Single Junction Circulator<br>3-Port Device<br>Port 1 / Port 2 / Port 3 | No Dash   | Female / Female / Female                  | D3C3841    |
|   | -1        | Male / Female / Female                    | D3C3841-1  |
|   | -2        | Female / Male / Female                    | D3C3841-2  |
|   | -3        | Male / Male / Male                        | D3C3841-3  |
|   | -4        | Female / Female / Male                    | D3C3841-4  |
|   | -5        | Male / Female / Male                      | D3C3841-5  |
|   | -6        | Male / Male / Female                      | D3C3841-6  |
|   | -7        | Female / Male / Male                      | D3C3841-7  |



## MEASURED DATA

Part Number: D3C3841, P1→P2, P3 Terminated with 50Ω, +25°C

