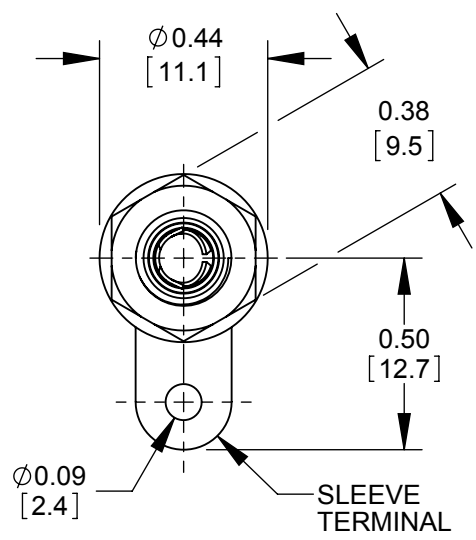
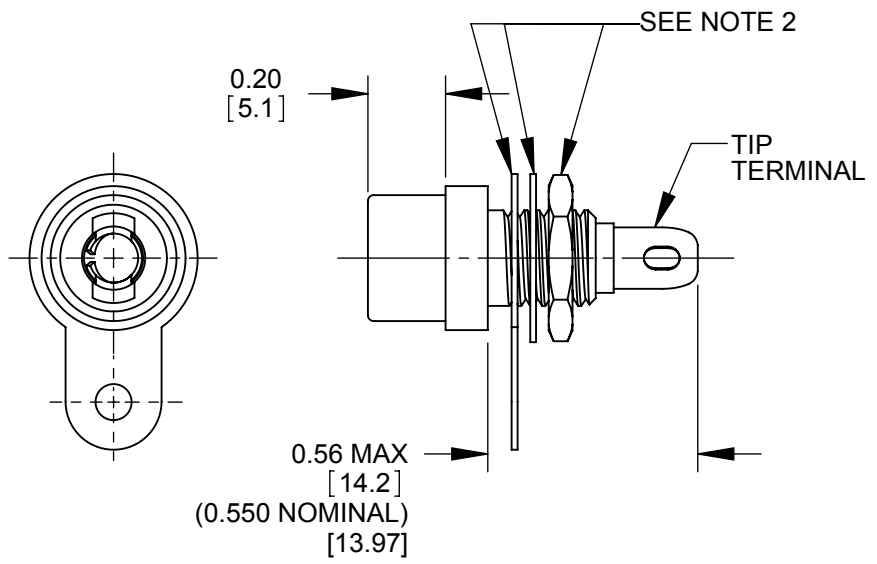


NOTES:

1. MATES WITH STANDARD \varnothing 1/8 PHONO PLUG.
2. SLEEVE TERMINAL, WASHER, AND HEX NUT PACKAGED UNASSEMBLED.
3. MATERIALS
 HOUSING - COPPER ALLOY, TIN PLATED
 INSULATORS - THERMOPLASTIC
 TIP TERMINAL - COPPER ALLOY, MATTE TIN PLATED
 SLEEVE TERMINAL - STEEL, TIN PLATED
 WASHER - STEEL, NICKEL PLATED
 HEX NUT - COPPER ALLOY, NICKEL PLATED
4. THIS PRODUCT IS RoHS COMPLIANT.



CUSTOMER DRAWING

					THIS DRAWING DESCRIBES A DESIGN CONSIDERED PROPRIETARY IN NATURE, DEVELOPED AND MANUFACTURED BY SWITCHCRAFT INC. AND IS RELEASED ON A CONFIDENTIAL BASIS FOR IDENTIFICATION PURPOSES ONLY.				
					SIZE	WIDTH	MULT	LBS/M	TEMPER
					FINISH SPEC No.			MATERIAL SPEC No.	
					FIRST USED ON		SCALE 2:1		
C	27760	8-31-16	TO	TJK	DATE DRAWN	BY	CHKD	APVD	
B	25504	12/8/06	RS	TJK	12/16/08	RS	RS	TJK	
A	26172	10/20/06	RS	TJK					
REV	ECO NUMBER	DATE	BY	APVD	NAME			PART No.	
REVISIONS					PHONO JAX			3501FPX	
DO NOT SCALE DRAWING					FRONT PANEL MOUNT, RoHS			REV C	