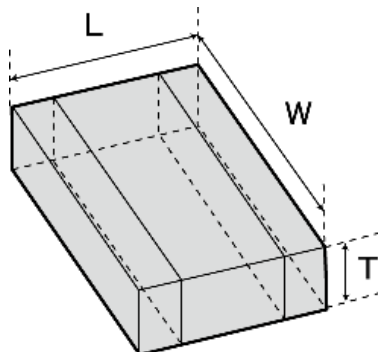


## LW Reversal Decoupling Capacitors (LWDC(TM))

## JWK212C6475KD-T



## ■ Features

- Item Summary  
6.3V, X6S, 4.7  $\mu$ F,  $\pm$ 10%, 0508
- Lifecycle Stage  
Mass Production
- Standard packaging quantity (minimum)  
Taping paper 4000pcs

## ■ Products characteristics table

CaseSize (EIA/JIS)	0508/2012
Rated Voltage (max)	6.3V
Capacitance	4.7 $\mu$ F
Capacitance Tolerance	$\pm$ 10%
Resistance	100 M $\Omega$ $\mu$ F
Dielectric Loss Tangent	10%MAX
Temperature Characteristics (EIA/JIS)	X6S/-
Temperature Range (EIA/JIS)	-55 to +105 $^{\circ}$ C/-
Capacitance Change (EIA/JIS)	$\pm$ 22/-%
RoHS Compliance	Yes
Halogen Free	Yes
Soldering Method	Reflow

## ■ External Dimensions

L	1.25mm $\pm$ 0.15
W	2.0mm $\pm$ 0.15
T	0.85mm $\pm$ 0.10

2012.09.10

The data is reference only. Electrical characteristics vary depending on environment or measurement condition.  
 TAIYO YUDEN reserves the right to make change to the Date at any time without notice.  
 Before making final selection, please check product specification.