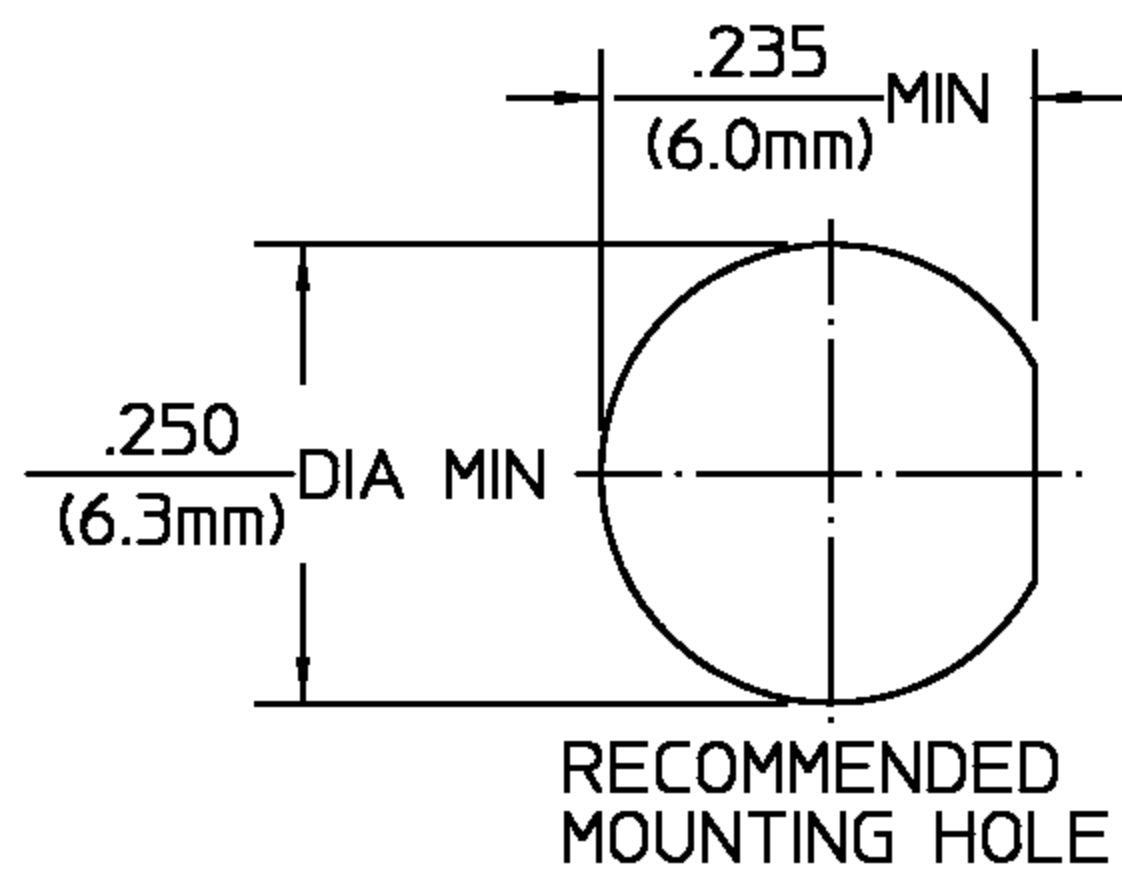
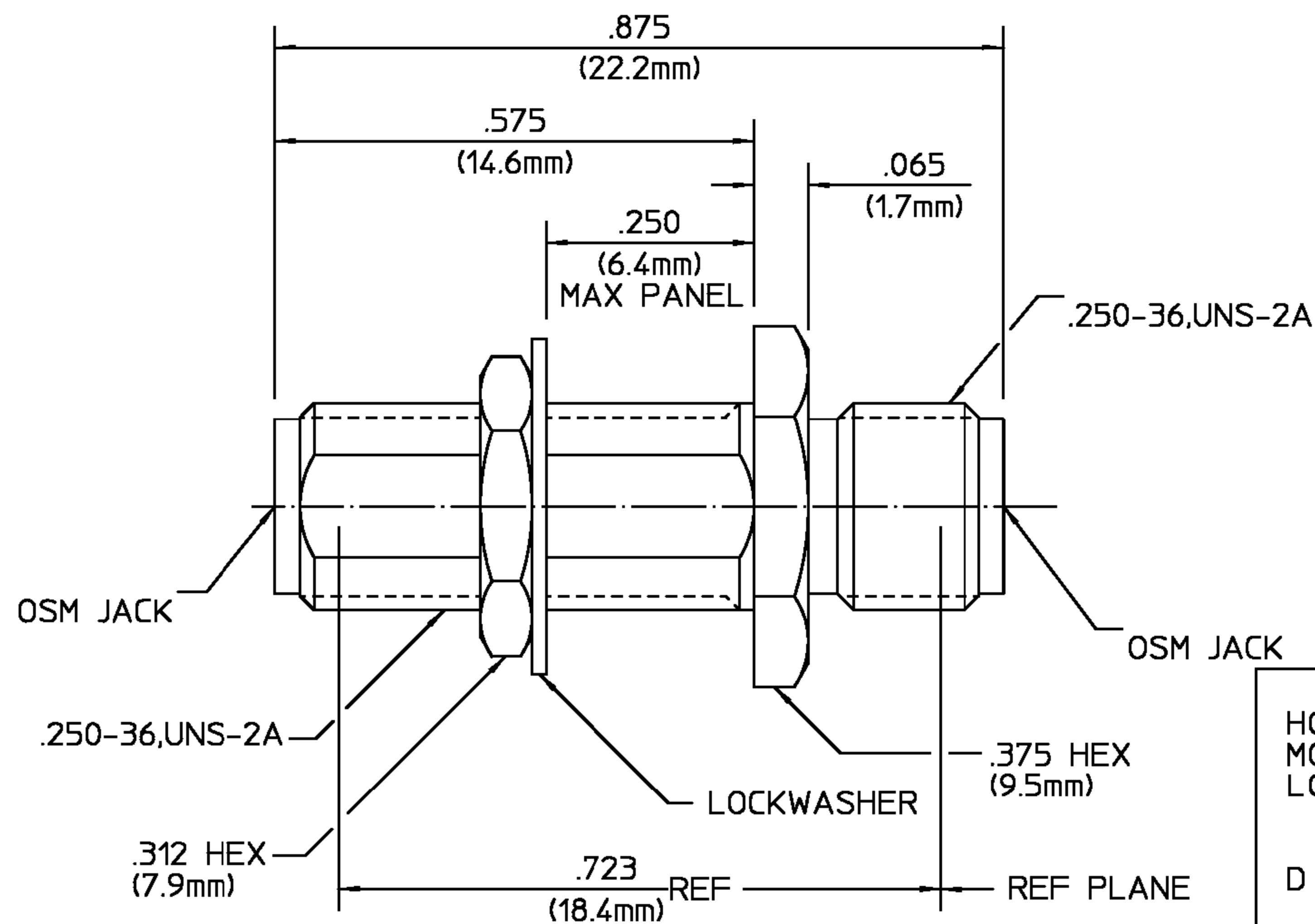


REVISIONS			
REV	DESCRIPTION	DATE	APPROVED
A1	REVISED PER ECO-11-005294	14APR11	HMR



NOTES:
1. CAPTURED CENTER CONTACT

HOUSING MOUNTING NUT LOCKWASHER	STAINLESS STEEL PER ASTM-A484 AND ASTM- A582, TYPE 303	GOLD PLATE PER MIL-G-45204 OVER NICKLE PLATE PER QQ-N-290
DIELECTRIC	TFE FLUOROCARBON PER MIL-P-19468 AND FED SPEC L-P-403	N/A
CENTER CONTACT	BERYLLIUM COPPER PER QQ-C-530, ALLOY 173	GOLD PLATE PER MIL-G-45204 OVER COPPER PLATE PER MIL-C-14550

COMPONENT	MATERIAL	FINISH
-----------	----------	--------

UNLESS OTHERWISE SPECIFIED DIMENSIONS ARE IN INCHES TOLERANCE ON	DRAWN BY E.F.HOYLE	DATE 1/25/89
FRAC. DEC. ANGLES	CHECKED BY L.ROSS	2-10-89
± 1/64 ±.005 ± °	APPD BY	



USE ASSY PROCEDURE 2722789	TITLE BULKHEAD FEEDTHROUH JACK TO JACK ADAPTER
NO. AP. N/A	SIZE B CODE IDENT NO. 26805 C-1054868-1 REV A1

SCALE 5:1	SHEET 1 OF 1
-----------	--------------

CUSTOMER DRAWING