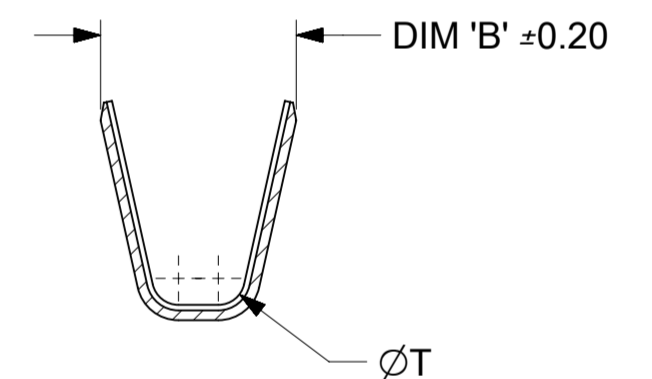
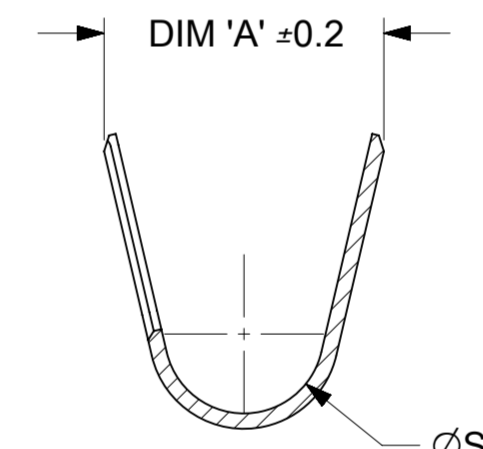
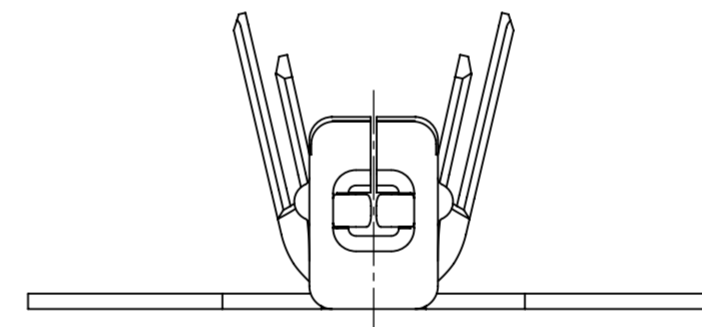
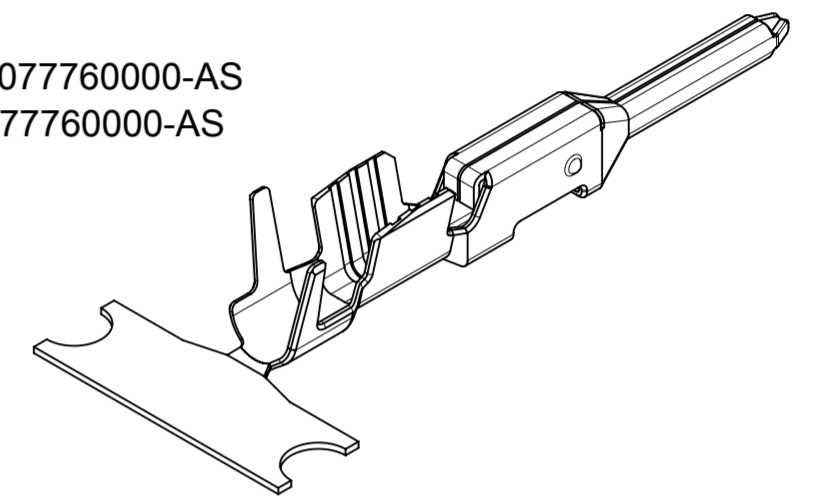


NOTES:

1. MATERIAL: COPPER ALLOY
2. PLATING: 100µin MIN. OVERALL MATTE TIN OVER
50µin MIN. OVERALL MATTE NICKEL
3. PRODUCT SPECIFICATION: 2077760000-PS
4. APPLICATION SPECIFICATION: 2077760000-AS
5. PACKAGING: REEL PACK PER: 2077760000-PK
6. THIS CRIMP TERMINAL TO BE USED WITH ASSEMBLY SERIES 207778
7. THIS CRIMP TERMINAL MATES WITH RECEPTACLE CRIMP TERMINAL SERIES,
a. 2077760001 MATES WITH 2077770001
b. 2077760002 MATES WITH 2077770002
8. THIS PART CONFORMS TO CLASS 'B' REQUIREMENTS OF COSMETIC SPECIFICATION PS-45499-002
9. WIRE SPECIFICATION: SEE CHART.
10. CRIMP TOOLING:
APPLICATION PART NUMBER: REFER 2077760000-AS
HAND TOOL PART NUMBER: REFER 2077760000-AS



SECTION Z-Z

SECTION Y-Y

TERMINAL PART NO.	WIRE AWG	INSULATION DIA	A	B	S	T
2077760001	16AWG	1.9 - 2.4	3.7	2.6	2.1	0.7
2077760002	18-20AWG	1.46 - 2.1	2.7	2.0	1.6	0.6

THIS DRAWING CONTAINS INFORMATION THAT IS PROPRIETARY TO MOLEX ELECTRONIC TECHNOLOGIES, LLC AND SHOULD NOT BE USED WITHOUT WRITTEN PERMISSION

DIMENSION UNITS	SCALE	CURRENT REV DESC:				
mm	10:1					
GENERAL TOLERANCES (UNLESS SPECIFIED)		<p>molex</p> <p>PLUG CRIMP TERMINAL SQUBA 3.6</p> <p>PRODUCT CUSTOMER DRAWING</p>				
ANGULAR TOL	± °					
4 PLACES	±					
3 PLACES	±					
2 PLACES	±					
1 PLACE	± 0.2					
0 PLACES	±	INITIAL REVISION:		DOCUMENT NUMBER		
DRAFT WHERE APPLICABLE MUST REMAIN WITHIN DIMENSIONS		THIRD ANGLE PROJECTION	DRAWING	SERIES	MATERIAL NUMBER	CUSTOMER
			A2-SIZE	207776	SEE TABLE	GENERAL MARKET
					2077760000-SD	PSD 000 B
						1 OF 1