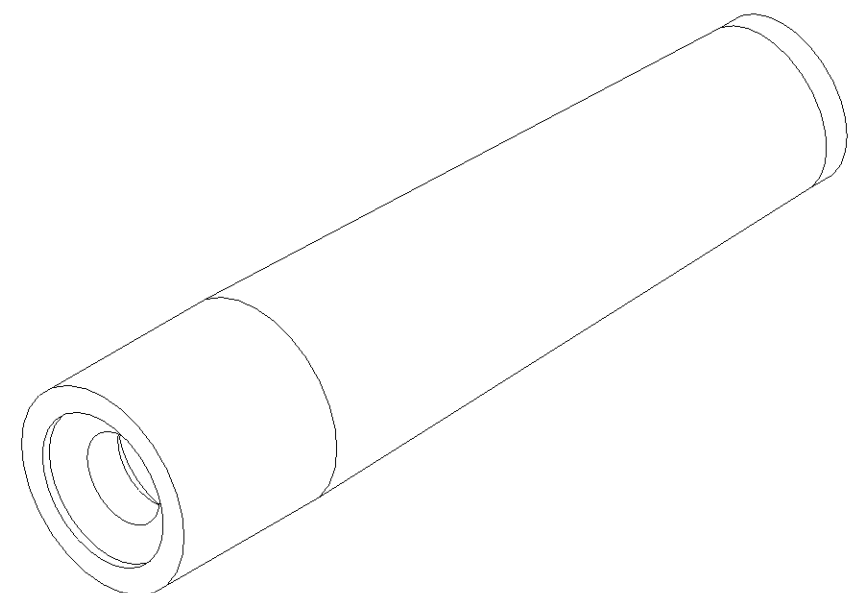
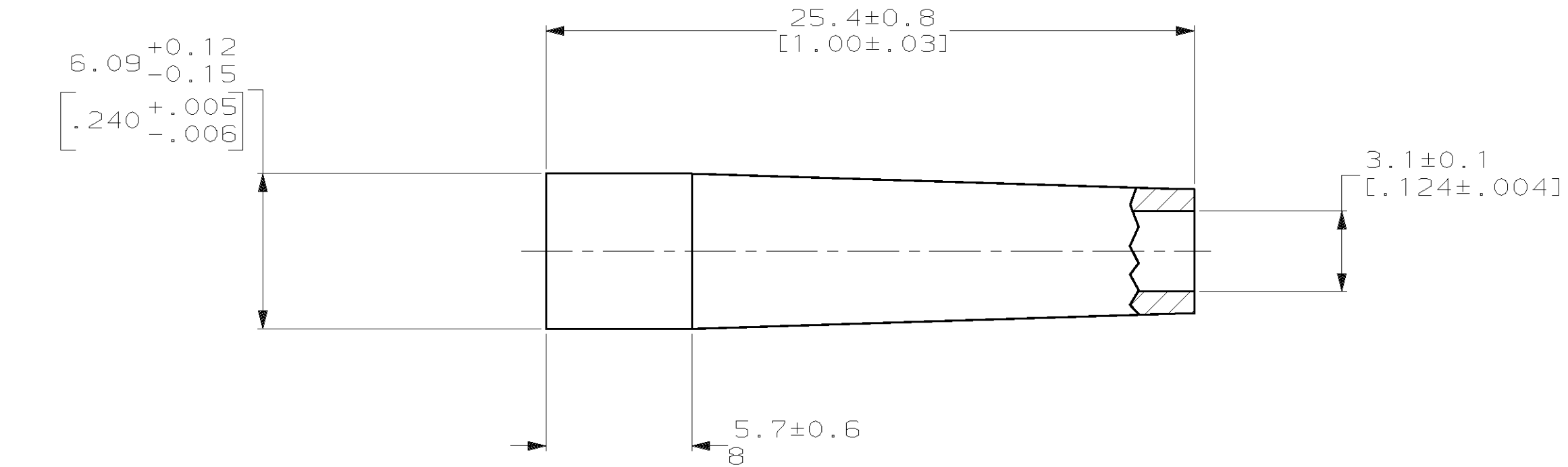


THIS DRAWING IS UNPUBLISHED. RELEASED FOR PUBLICATION, 19
 © COPYRIGHT 19 BY AMP INCORPORATED. ALL INTERNATIONAL RIGHTS RESERVED.

LOC	DIST	P	F	ZONE	LTR	DESCRIPTION	DATE	APPD
CE	16				G	REVISED PER 0A00-0546-00	19JUL00	TA/SB

1. DIMENSIONS IN [] ARE IN INCHES.
 2 BULK PACKAGED, 100 PCS.



2	ORANGE	1-501457-7
2	APC GREEN	1-501457-5
2	WHITE	1-501457-3
2	BLUE	1-501457-2
2	BEIGE	1-501457-1
2	RED	1-501457-0
2	YELLOW	501457-9
2	BLACK	501457-8
	COLOR	PART NUMBER

DO NOT SCALE PRINT. UNLESS SPECIFIED DIMENSIONS IN INCHES TOLERANCES ON: 2 PLC DEC ± - 3 PLC DEC ± - ANGLES ± -	DR R.HILEMAN 2-16-90 CHK F.ANTONICELLI 2-16-90 APPD F.ANTONICELLI 2-16-90 APPD D.COLLINS 2-16-90	AMP INCORPORATED Harrisburg, Pa. 17105	
MATERIAL THERMOPLASTIC ELASTOMER	PRODUCT SPEC -	NAME BOOT, STRAIN RELIEF, 2.5mm BAYONET, OPTIMATE®	
FINISH -	APPLICATION SPEC -	SIZE B	FSCM NO 00779
	WEIGHT -	SCALE 5:1	DRAWING NO 501457
			SHEET 1 OF 1

METRIC