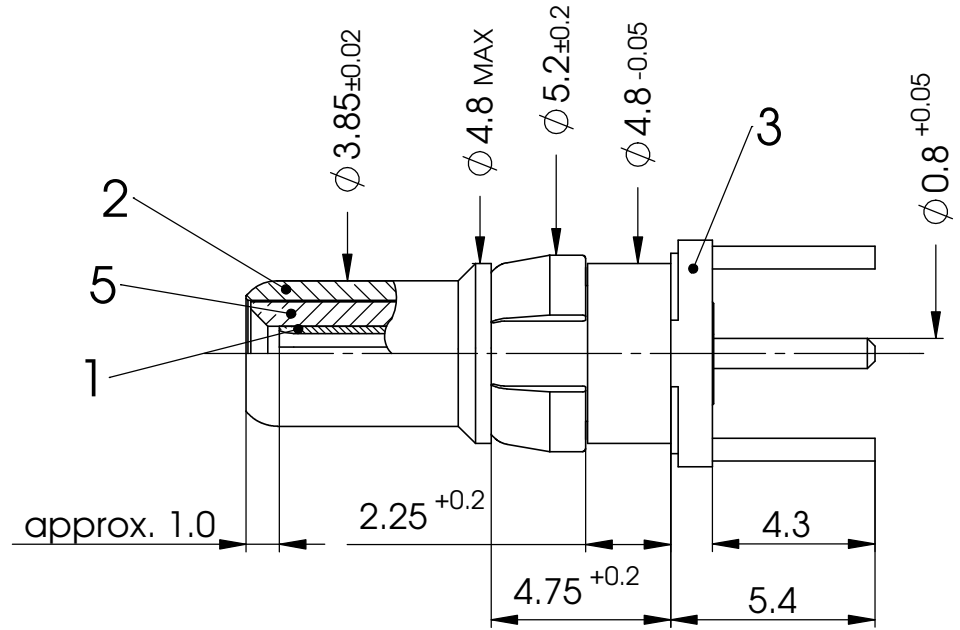
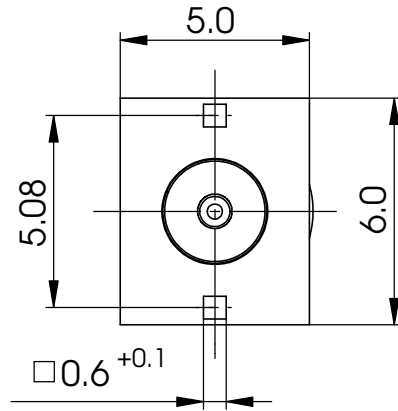
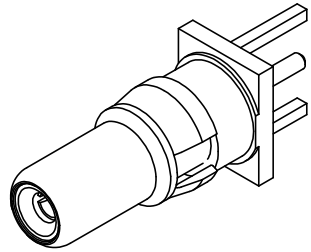
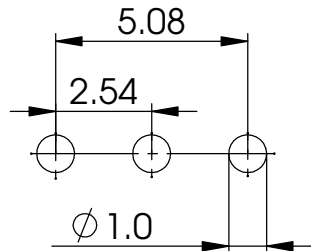


COMMENT:  
 ALL RIGHTS ARE RESERVED BY US FOR THIS DRAWING. WITHOUT OUR PRIOR CONSENT,  
 IT MAY NEITHER BE DUPLICATED NOR MADE AVAILABLE TO A THIRD PARTY,  
 AND IT ALSO MAY NOT BE IMPROPERLY USED BY THE RECEIVER, OR A THIRD PARTY.



### PCB-Layout



IMPEDANCE		50 Ohm	COAXIAL CONTACT		SCALE	CABLE	
FOR		D-SUB			5:1		
DIMENSIONS IN MM			DRAWN	DATE	NAME		
MATERIAL + FINISH SEE EXTRA SHEET			CHECKED	10-05-2006	msteinbrueck		
UNLESS OTHERWISE SPECIFIED DIMENSIONS FOR REFERENCE ONLY			 <a href="http://www.fctgroup.com">www.fctgroup.com</a>			PART NO.	REV.
1	05-05-2006	11130				FME010P	1
REV.	DATE	INDEX	ORIGINAL: DIN A4-DRAWING AS A FILE			REPLACEMENT FOR:	PAGE: 1/1