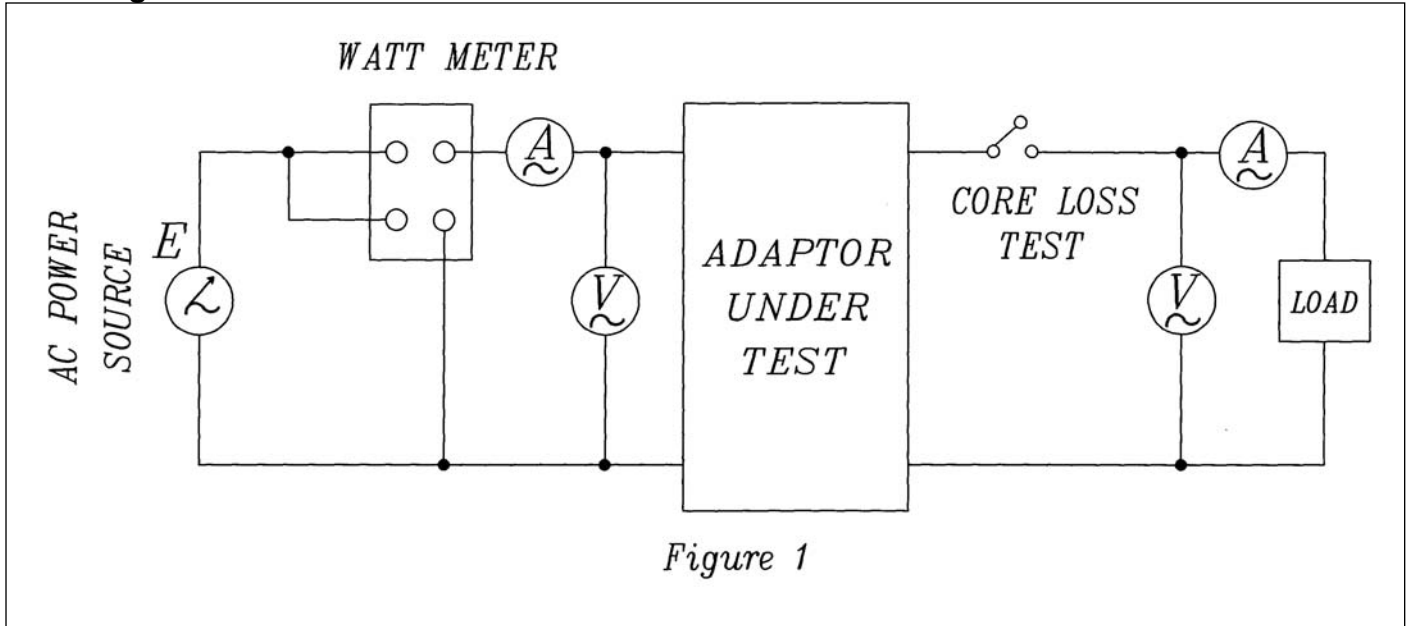
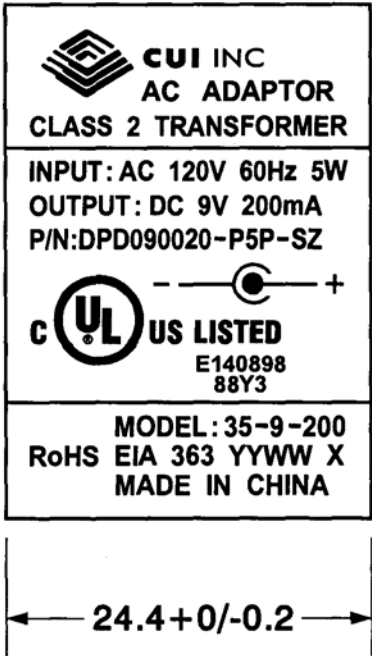


**Specifications**

Output voltage	9 V dc at 200 mA	
Primary rated input	120 V ac 60 Hz 5 W	
Primary exciting current	50 mA rms max.	
Secondary rated voltage & current	no load voltage (max.)	16.5 V max.
	full load volatge (200 mA)	9 V \pm 5%
Temperature rise of primary winding (full load)	70°C max. using resistance method	
Insulation resistance	\geq 100 M Ohm at 500 V dc	
HI-POT test	from input to output for 1 min.	1240 V ac at 2 mA
	from input to output for 1 sec.	1600 V ac at 2 mA
	from primary to seconardy winding for 1 sec.	1600 V ac at 2 mA
	from primary winding to core for 1 sec.	1600 V ac at 2 mA
	from secondary winding to core for 1 sec.	750 V ac at 2 mA
Safety standard	UL/ cUL	
RoHS compliant	yes	
Test conditions	Ambient temp	40°C \pm 2°C
	Humidity	90-95% 96 hours at Full Load
	Rated voltage	8 hours at full load
Color	Case	black
	Cord	black
	Plug top	black

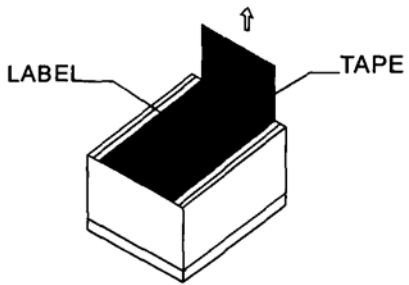
Test Diagram

Label



$34.3 + 0 / - 0.2$
 $24.4 + 0 / - 0.2$

Adhesive tape: 3m #44 tape 18 width
 Thickness: 0.2mm
 Material: PVC polyester
 Color: black on silver base

Remarks: YYWW S
 YY=production year
 WW=production week
 S=production location



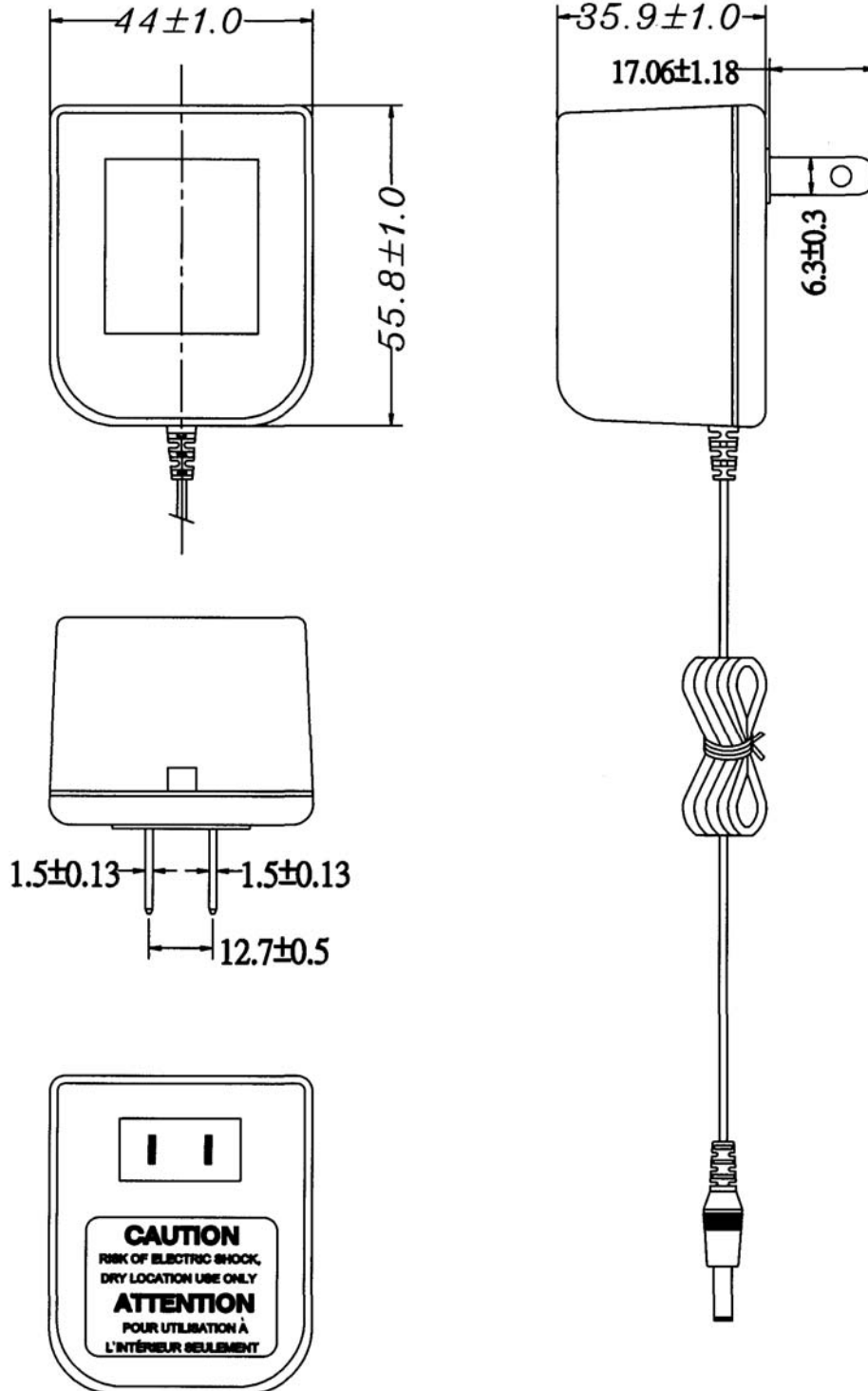
LABEL
TAPE



Mechanical Drawing

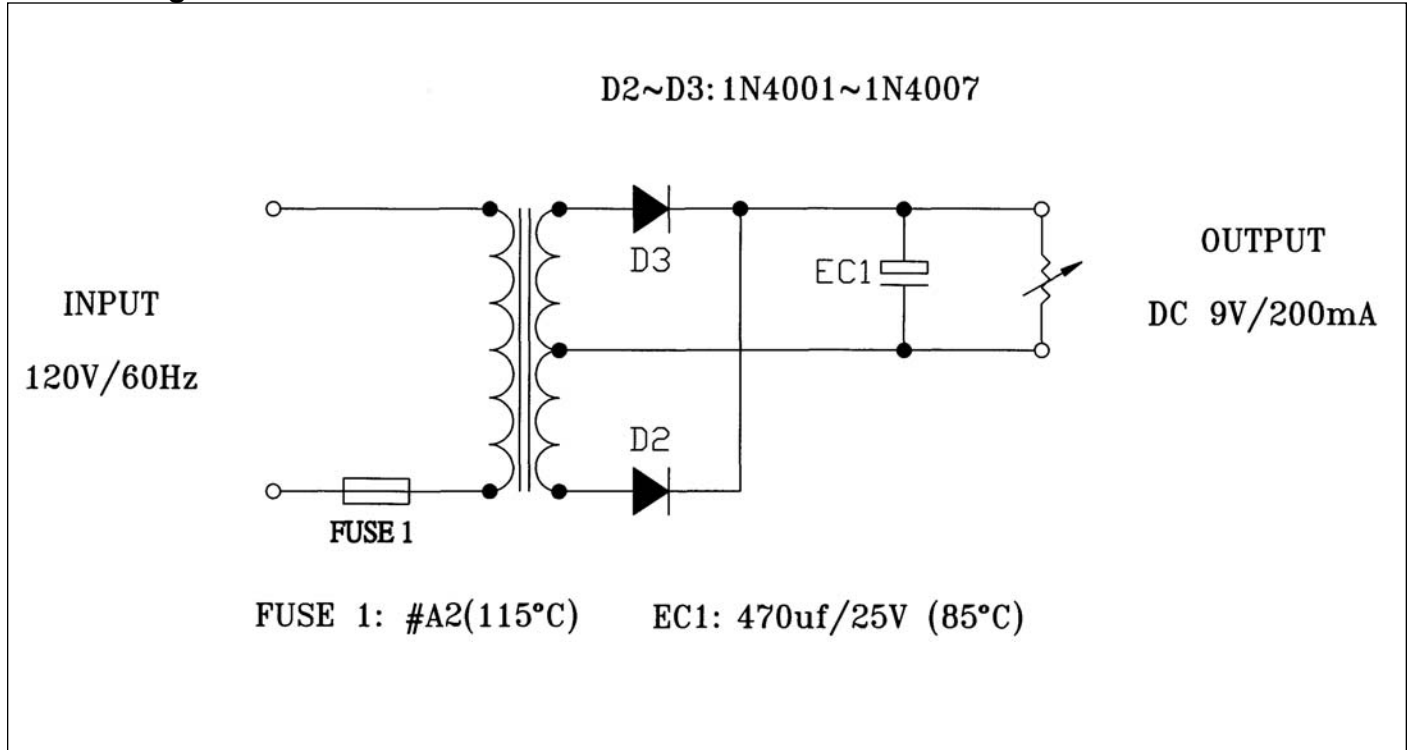
Tolerance: ± 1

Weight 160 g





Circuit Diagrams





CUI INC

Part No: DPD090020-P5P-SZ

Date: 2/27/2006

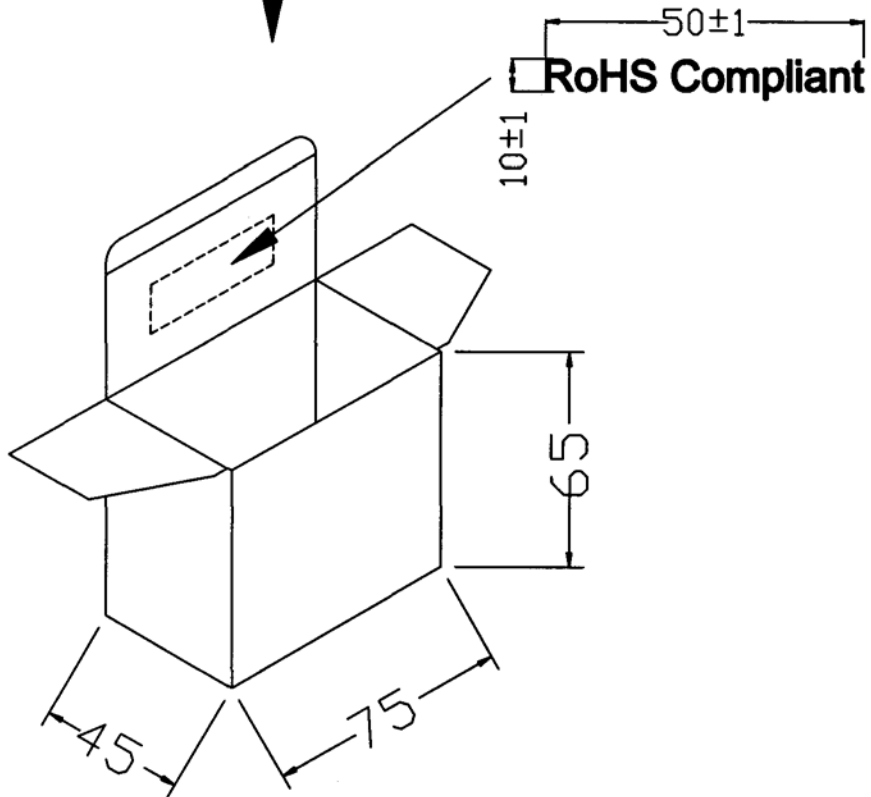
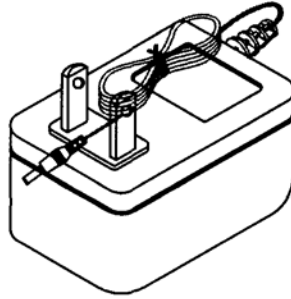
Unit: mm

Description: linear power supply

Page No: 6 of 7

Packaging

Tolerance: ± 1





Packaging

Tolerance: +7/-0

OUTSIDE CARTON:A=B(6mm)
INSIDE CARTON:A-B(3mm)
CARTON SIZE: 405X290X264mm

Q'TY: 100pcs(20x5x1)

