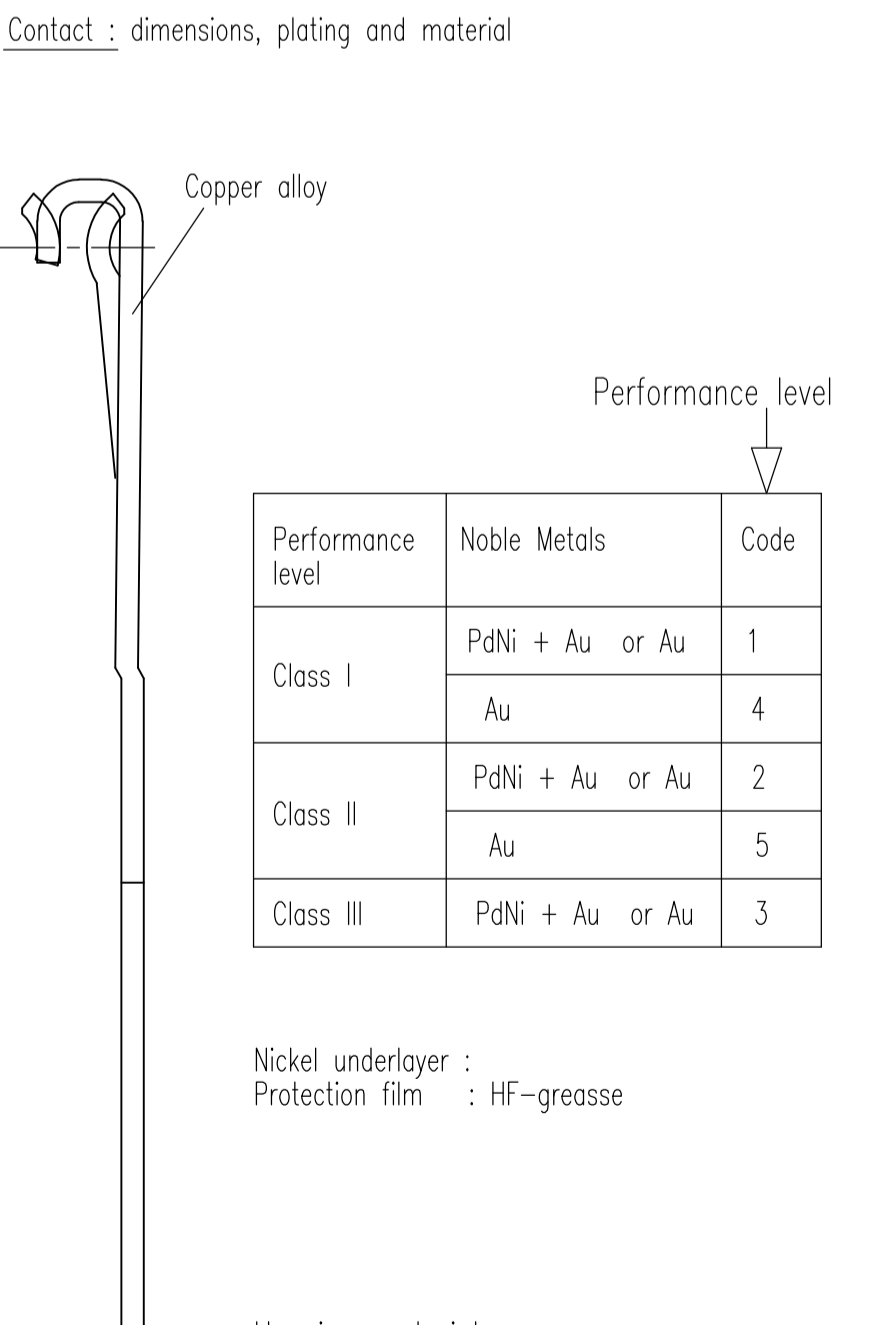
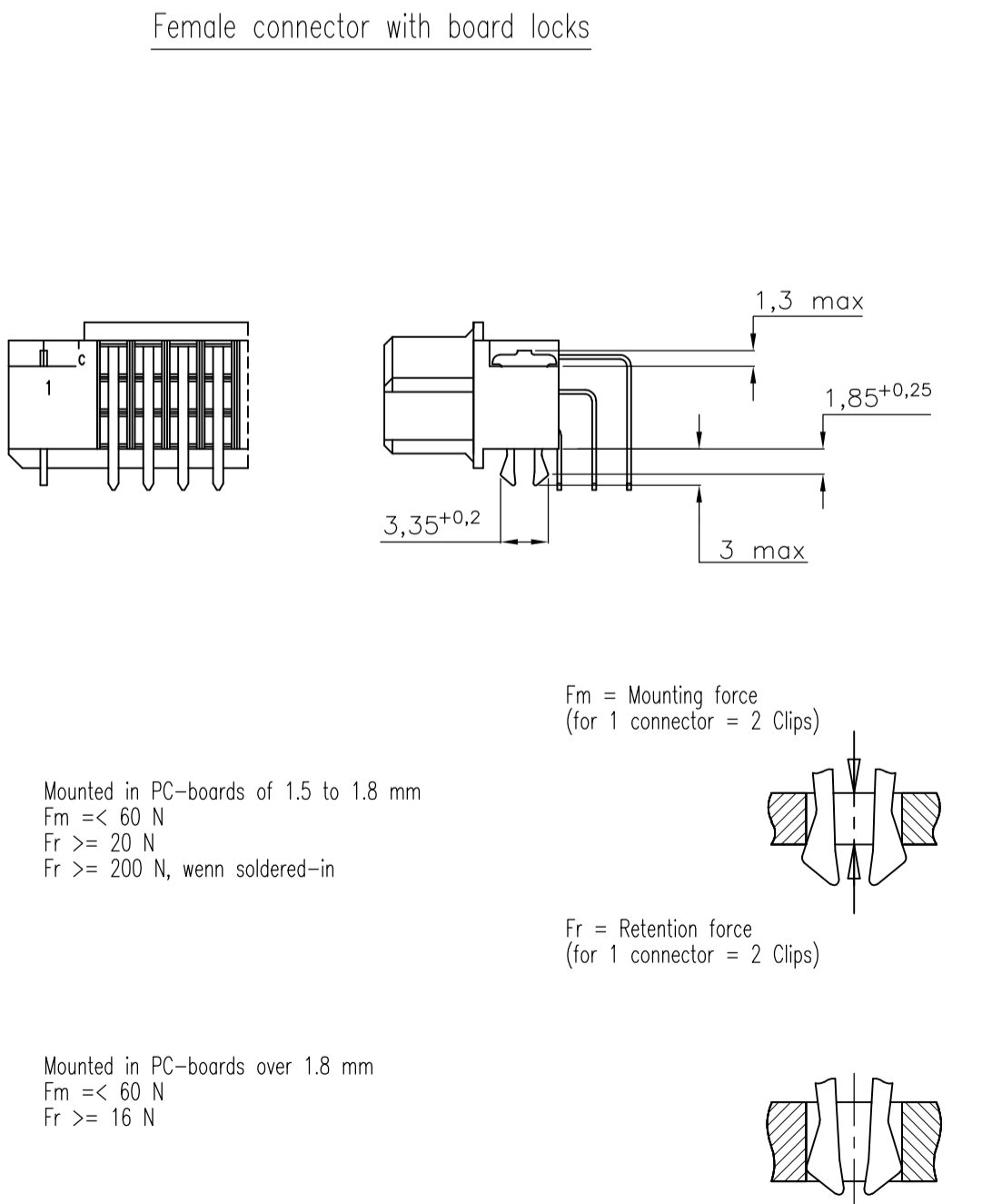
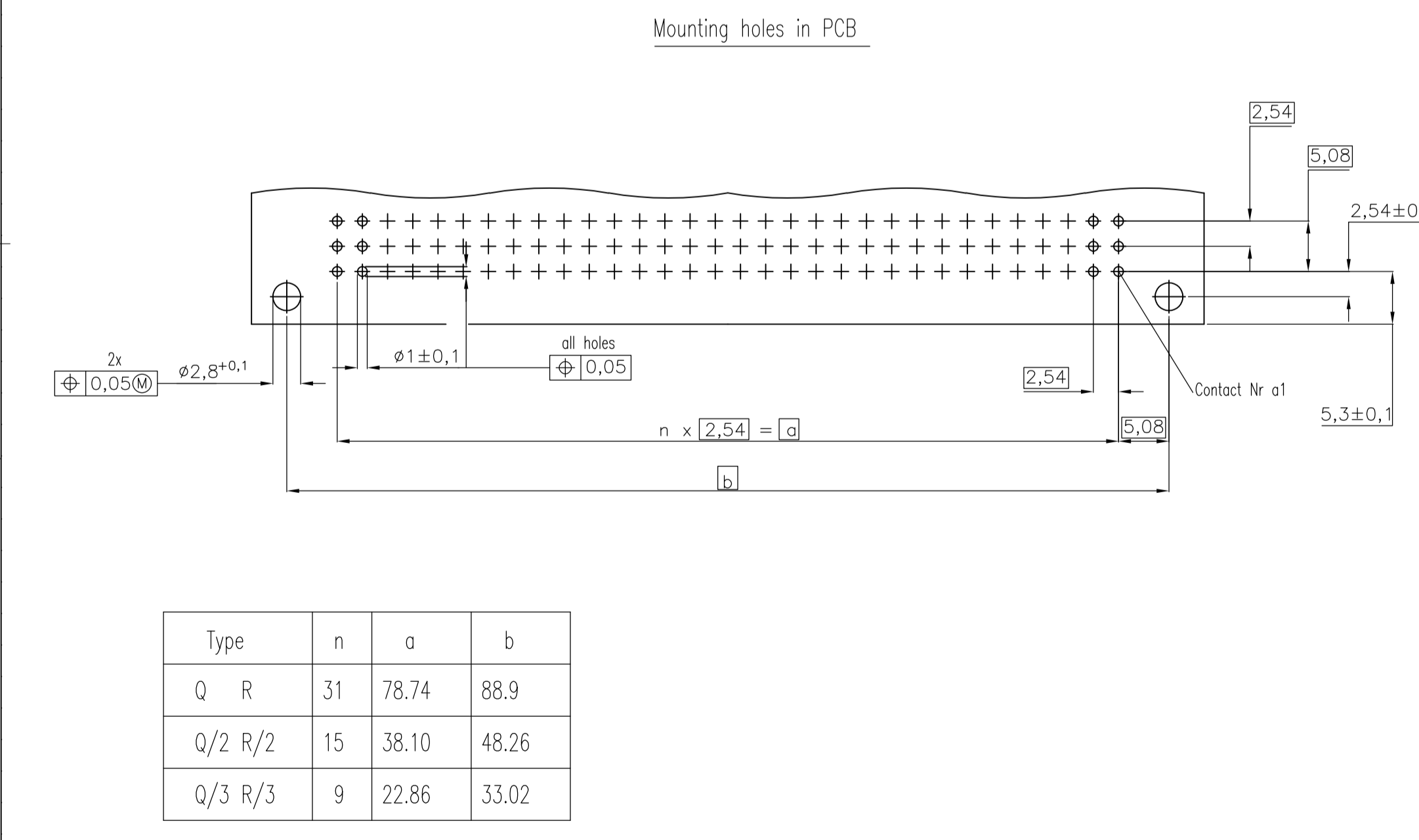
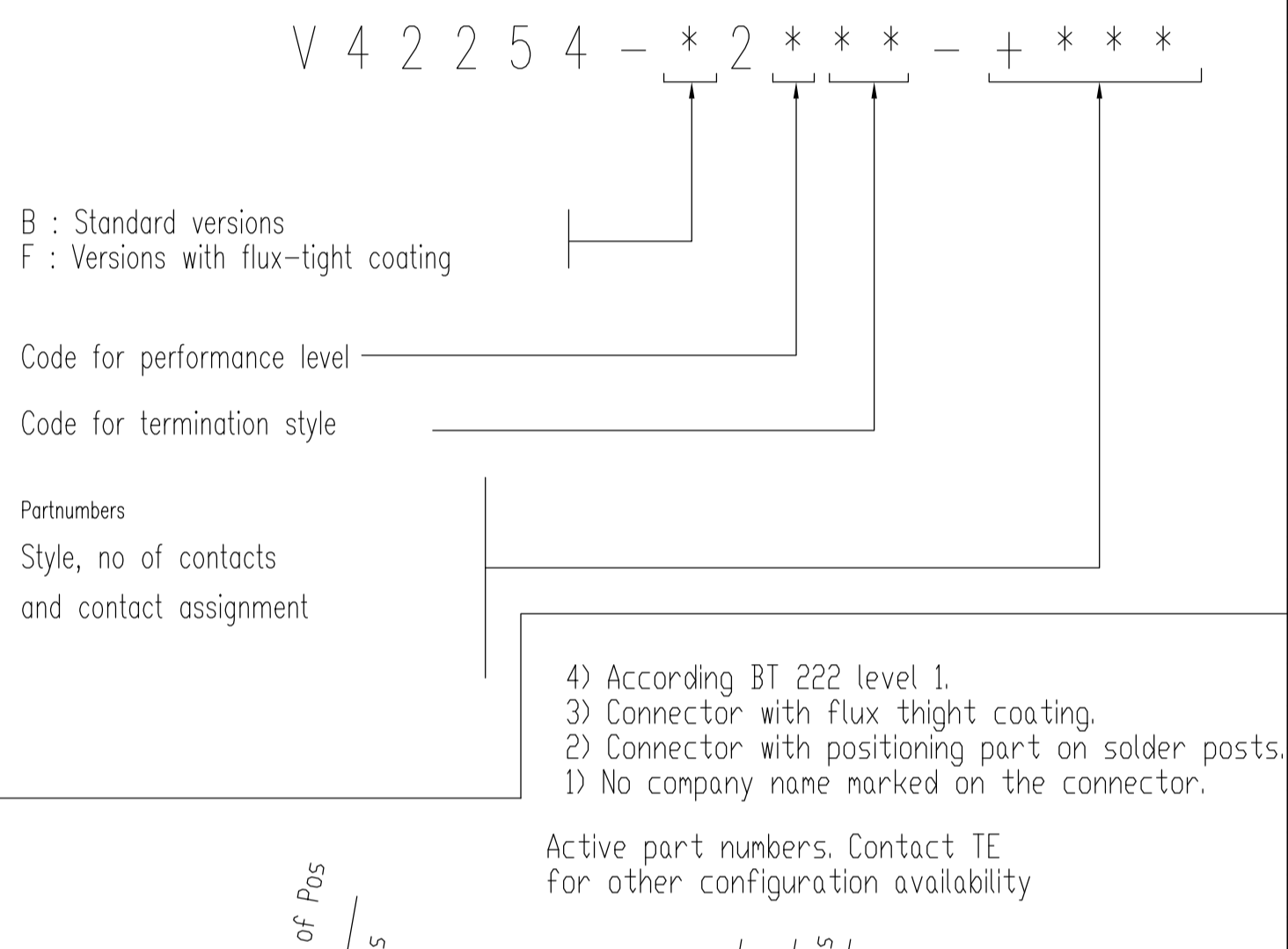
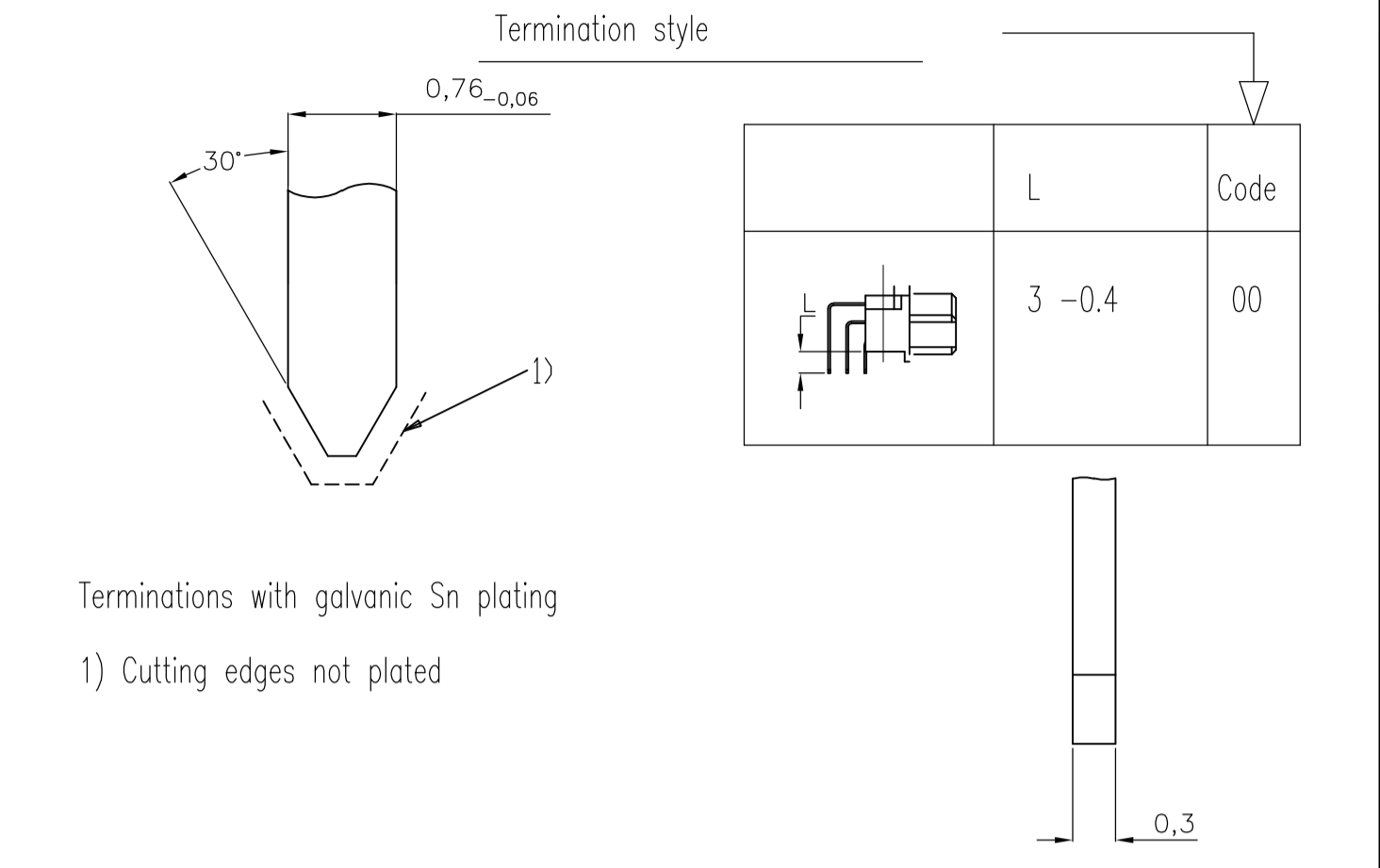


REV	DATE	BY	CHK	APPROV
B5	ECR-09-007144			AEG MKO
B6	ECR-10-003044			03JUN10 RK MKO
B7	ECR-10-004503			11SEP11 RK MKO



Product description code	TE PN	Style & Nr. of Pos	Loaded rows	Perf. level	Board Locks
V42254-B2100-Q210	0-1393656-1	Q20	every row , every pitch	1	Y
V42254-B2100-Q320	0-1393656-2	Q32	every row , every pitch	1	N
V42254-B2100-R300	0-1393656-3	R30	every row , every pitch	1	N
V42254-B2100-R303	0-1393656-4	R30	row a+c , every pitch	1	N
V42254-B2100-R480	0-1393656-5	R48	every row , every pitch	1	N
V42254-B2100-R913	0-1393656-6	R96	row a+c , every pitch	1	Y
V42254-B2100-R960	0-1393656-7	R96	every row , every pitch	1	N
V42254-B2100-R960H	0-1393656-8	R96	every row , every pitch	1	N
V42254-B2100-R961	0-1393656-9	R96	row a , every pitch	1	N
V42254-B2100-R963	1-1393656-1	R96	row a+c , every pitch	1	N
V42254-B2100-R968	1-1393656-2	R96	row a+c , every even pitch	1	N
V42254-B2200-Q200	1-1393656-4	Q20	every row , every pitch	2	N
V42254-B2200-Q310	1-1393656-5	Q32	every row , every pitch	2	Y
V42254-B2200-Q320	1-1393656-6	Q32	every row , every pitch	2	N
V42254-B2200-Q610	1-1393656-7	Q64	every row , every pitch	2	Y
V42254-B2200-Q640	1-1393656-8	Q64	every row , every pitch	2	N
V42254-B2200-R300	1-1393656-9	R30	every row , every pitch	2	N
V42254-B2200-R300N	2-1393656-0	R30	every row , every pitch	2	N
V42254-B2200-R303	2-1393656-1	R30	row a+c , every pitch	2	N
V42254-B2200-R310	2-1393656-2	R30	every row , every pitch	2	Y
V42254-B2200-R313	2-1393656-4	R30	row a+c , every pitch	2	Y
V42254-B2200-R410	2-1393656-5	R48	every row , every pitch	2	Y
V42254-B2200-R413	2-1393656-6	R48	row a+c , every pitch	2	Y
V42254-B2200-R480	2-1393656-7	R48	every row , every pitch	2	N
V42254-B2200-R483	2-1393656-8	R48	row a+c , every pitch	2	N
V42254-B2200-R910	2-1393656-9	R96	every row , every pitch	2	Y
V42254-B2200-R913P	3-1393656-0	R96	row a+c , every pitch	2	Y
V42254-B2200-R913P	3-1393656-1	R96	row a+c , every pitch	2	Y
V42254-B2200-R918	3-1393656-3	R96	row a+c , every even pitch	2	Y
V42254-B2200-R960	3-1393656-4	R96	every row , every pitch	2	N
V42254-B2200-R960N	3-1393656-5	R96	every row , every pitch	2	N
V42254-B2200-R963	3-1393656-6	R96	row a+c , every pitch	2	N
V42254-B2200-R963P	3-1393656-7	R96	row a+c , every pitch	2	N
V42254-B2200-R965	3-1393656-8	R96	every row , every even pitch	2	N
V42254-B2200-R968	3-1393656-9	R96	row a+c , every even pitch	2	N
V42254-B2200-R968P	4-1393656-0	R96	row a+c , every even pitch	2	N
V42254-F2200-R480	4-1393656-6	R48	every row , every pitch	2	N
V42254-F2200-R960	4-1393656-7	R96	every row , every pitch	2	N

PART NO: V42254-B2***-R***-*-7626

THIS INFORMATION IS CONFIDENTIAL AND PROPRIETARY TO TYCO ELECTRONICS CORPORATION AND ITS WORLDWIDE SUBSIDIARIES AND AFFILIATES. IT MAY NOT BE DISCLOSED TO ANYONE, OTHER THAN TYCO ELECTRONICS CORPORATION, WITHOUT WRITTEN AUTHORIZATION FROM TYCO ELECTRONICS CORPORATION, HARRISBURG, PENNSYLVANIA, USA.

DIMENSIONS:		TOLERANCES UNLESS OTHERWISE SPECIFIED:		APPROVED:	
mm				NAME	DATE
0 PL	±	0	±	APPROVED: CLIVELIER 13FEB99	NAME
1 PL	±	0	±		
2 PL	±	0	±		
3 PL	±	0	±		
4 PL	±	0	±	APPLICATION SPEC	SIZE
ANGLES	±	0	±	WEIGHT	CAGE CODE
MATERIAL		FINISH			DRAWING NO
					RESTRICTED TO
				CUSTOMER DRAWING	SCALE
					NTS
					SHEET
					1 of 1
					REV
					B7