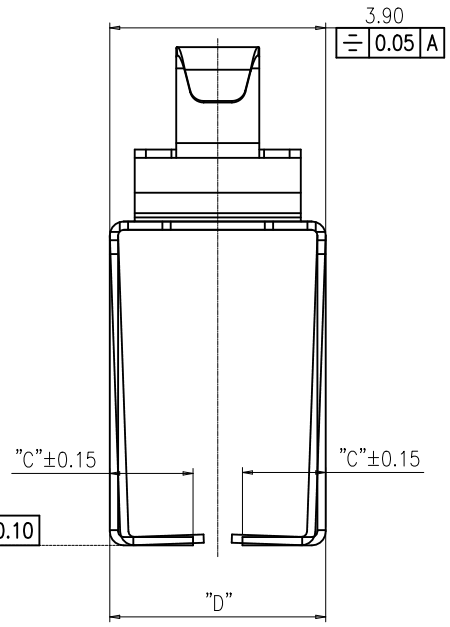
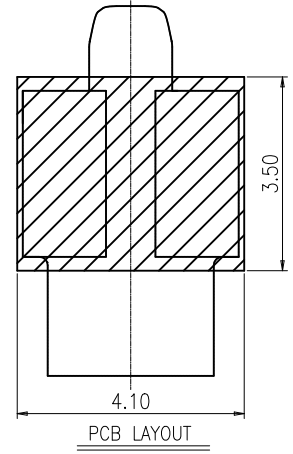
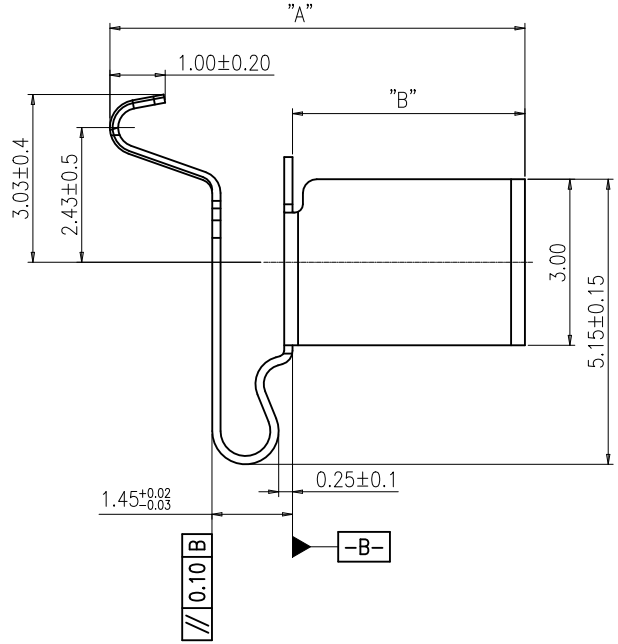
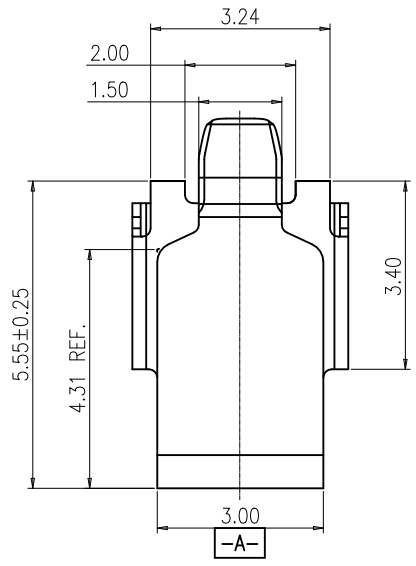


REV.	ECR/ECN No.	DESCRIPTION	DRAWN/DATE	CHECKED/DATE	APPROVED/DATE
F		UPDATE FRAME	Staven 2020-11-13	Staven 2020-11-13	Biao 2020-11-13
G	ECN2022112	UPDATE CPK SYMBOLS	Abner 2022-07-20	Staven 2022-07-20	Sam 2022-07-20



- NOTES:
- 1、 MATERIAL: SUS 304-H T=0.15mm;
 - 2、 ALLOW BURR 0.03mm Max.;
 - 3、 PLATING: Au 2u" SURFACE PLATING OVER CONTACT AREAS, Au 2u" SURFACE PLATING OVER SOLDER AREAS, Ni 40-120u" UNDER PLATING OVER ALL.
 - 4、 "▼" THE SYMBOL IS REPRESENTED AS CPK AND \bar{X} -R.

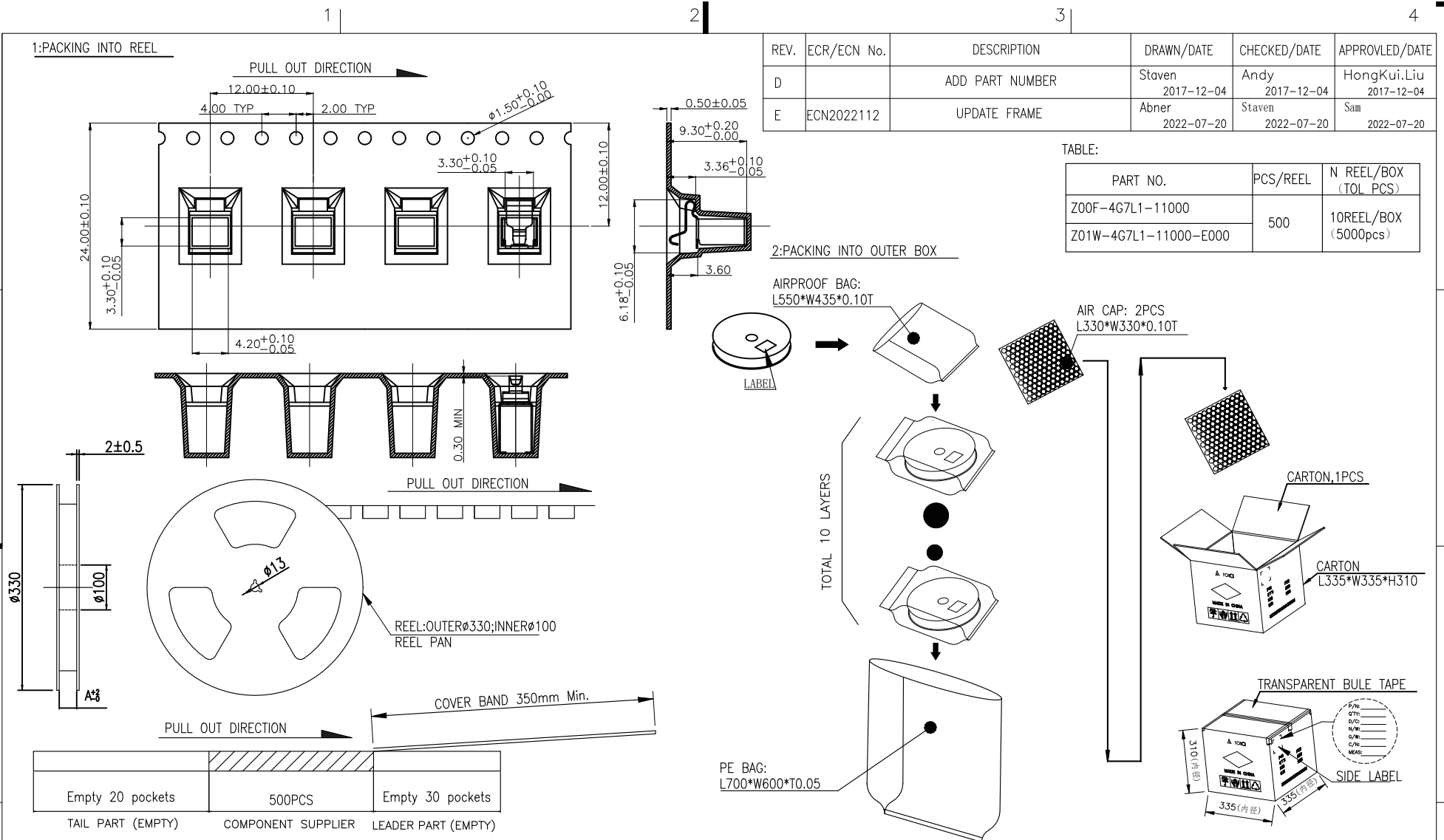
TABLE:

PART NUMBER	A	B	C	D
Z00D-4G7L1-11000	4.8 ^{+0.3} _{-0.05}	1.5 ^{+0.0} _{-0.3}	1.50	3.90 ⁺⁰ _{-0.20}
Z007-4G7L1-11000	5.2 ^{+0.3} _{-0.05}	1.9 ^{+0.0} _{-0.3}	1.05	3.90 ⁺⁰ _{-0.20}
Z00C-4G7L1-11000	7.5 ^{+0.3} _{-0.05}	4.2 ^{+0.0} _{-0.3}	1.50	3.90 ⁺⁰ _{-0.20}
Z00F-4G7L1-11000	9.0 ^{+0.3} _{-0.05}	5.7 ^{+0.0} _{-0.3}	0.80	3.90 ⁺⁰ _{-0.5}
Z00N-4G7L1-11000	6.3 ^{+0.3} _{-0.3}	3.0±0.15	1.50	3.90±0.15
Z00E-4G7L1-11000	4.0 ^{+0.3} _{-0.3}	0.7±0.15	1.50	3.90±0.15
Z00X-4G7L1-11000-E000	5.6 ^{+0.3} _{-0.3}	2.3±0.15	1.50	3.90±0.15

UNLESS OTHERWISE SPECIFIED TOLERANCES		ANGLE OF PROJECTION		 Amphenol Aorora Technology (Huizhou) Co.,Ltd	
X.	±0.30	X.	± 5'		
X.X	±0.25	X.X	± 4'	Customer Drw	
X.XX	±0.20	X.XX	± 3'	DRAWN	Abner
X.XXX	±0.15	X.XXX	± 2'	DATE	2022-07-20
LINEAR DIMS		ANGLES DIMS		DESIGN	Abner
DWG NO.: A-S0198				DATE	2022-07-20
MATERIAL	SEE NOTES	CHECKED	Staven	DATE	2022-07-20
FINISHED	SEE NOTES	APPROVED	Sam	DATE	2022-07-20
		TITLE: SPRING		SIZE	A4
		PART NUMBER: SEE TABLE		REV.	G
		SCALE	1:1	UNIT	mm
		SHEET 1 OF 1			



This document is the property of and embodies CONFIDENTIAL and PROPRIETARY information of AOR. No part of the information shown on this document may be used in any way or disclosed to others without the written consent of AOR. © 2019 AOR



REV.	ECR/ECN No.	DESCRIPTION	DRAWN/DATE	CHECKED/DATE	APPROVED/DATE
D		ADD PART NUMBER	Staven 2017-12-04	Andy 2017-12-04	HongKui.Liu 2017-12-04
E	ECN2022112	UPDATE FRAME	Abner 2022-07-20	Staven 2022-07-20	Sam 2022-07-20

TABLE:

PART NO.	PCS/REEL	N REEL/BOX (TOL PCS)
Z00F-4G7L1-11000	500	10REEL/BOX (5000pcs)
Z01W-4G7L1-11000-E000		

- NOTES:
- MATERIAL:
 - CARRY TAPE:HIPS,T=0.50mm,COLOR:TRANSPARENT.
 - REEL:HIPS,BLUE.
 - SHIM:PE,CLEAR.
 - PRIMARY PACKING:500PCS/REEL.
 - SECONDARY PACKING:10 REELS/CARTON ("TOTAL"=10*500/CARTON).
 - PEELING RESISTANCE: 0.1N~0.9N(10~90gf);
PEELING ANGLE: 165°~180°;
PEELING SPEED: 300mm/minutes.

Empty 20 pockets	500PCS	Empty 30 pockets
TAIL PART (EMPTY)	COMPONENT SUPPLIER	LEADER PART (EMPTY)

UNLESS OTHERWISE SPECIFIED TOLERANCES				ANGLE OF PROJECTION		Amphenol AORORA	
X.	±0.15	X. °	± 1'			Amphenol Aorora Technology (Huizhou) Co.,Ltd	
X.X	±0.16	X.X °	± 0.5'				
X.XX	±0.05	X.XX °	± 0.5'	DOC TYPE		TITLE:	
X.XXX	±0.03	X.XXX °	± 1'	PACKING DWG.		SPRING H9.0	
LINEAR DIMS	ANGLES DIMS			DRAWN	DATE	Abner	2022-07-20
DWG NO.:	A-H0107			DESIGN	DATE	Abner	2022-07-20
MATERIAL	SEE NOTES			CHECKED	DATE	Staven	2022-07-20
FINISHED	SEE NOTES			APPROVED	DATE	Sam	2022-07-20
SIZE	PART NUMBER:		REV.				
A4	SEE TABLE		E				
SCALE	1:1	UNIT : mm	SHEET	1	OF	1	