

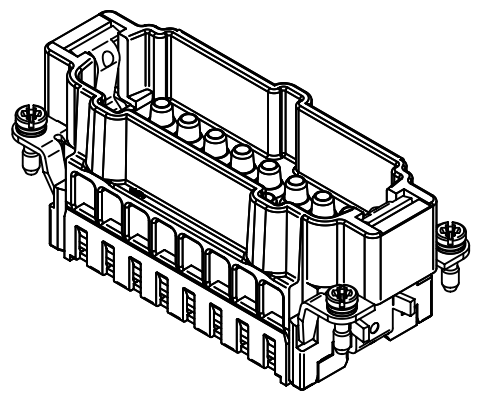
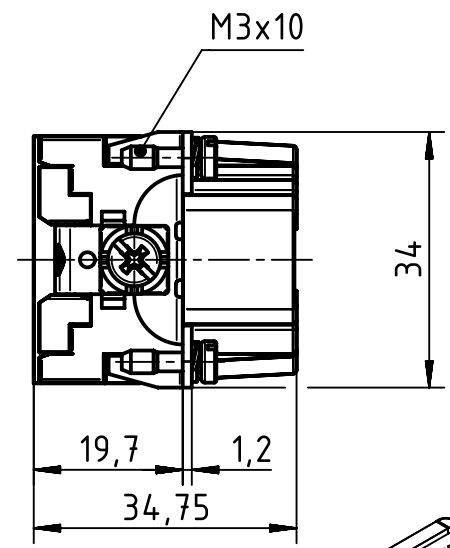
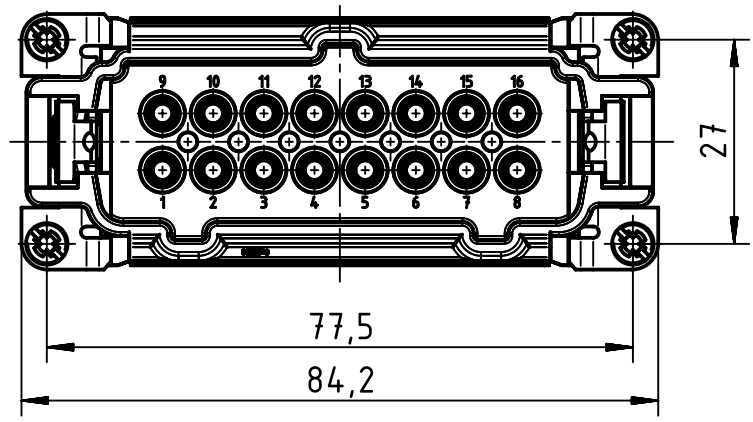
1 2 3 4 5 6

A

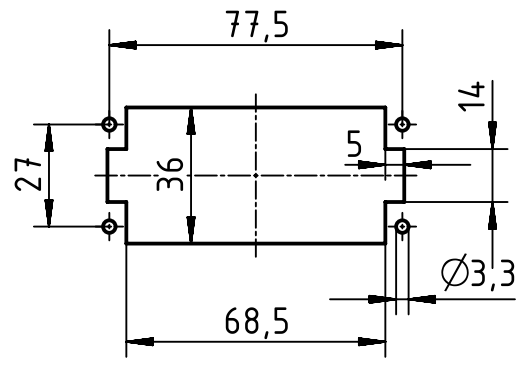
B

C

D



panel cut out(1:2)



	All Dimensions in mm Original Size DIN A4		Scale 1:1	Free size tol.		Ref.
	All rights reserved Department EL PD - DE		Created by HOLLERT	Inspected by PRIESTER	Standardisation TIEMANNA	Sub.
HARTING Electric GmbH & Co. KG D-32339 Espelkamp		Title Han High Temp 16E Crimp Male			Date 2016-08-31	State Final Release
					Number 09 33 816 2604	Doc-Key / ECM-Nr. 100627435/UGD/001/A 500000105233
					Type TB	Rev. A
					Page 1/1	