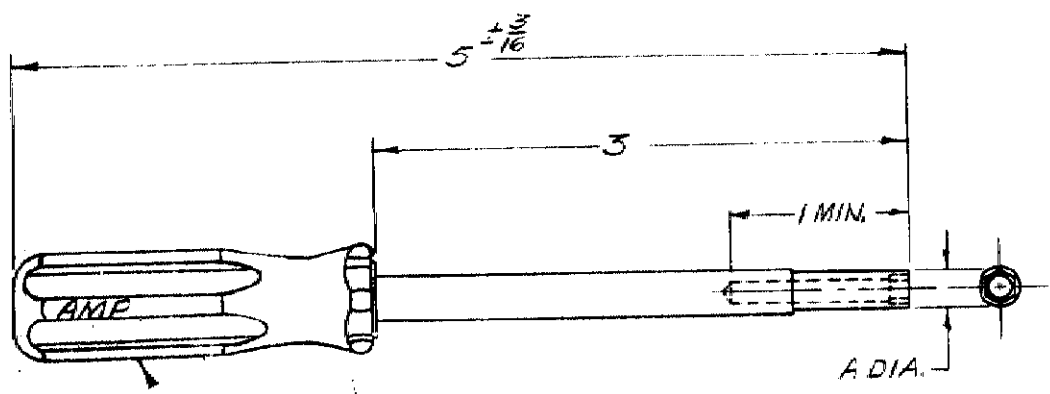


NUMBER
C-811262

PART NUMBER	A	NUT SIZE	USED ON
811262-1	233 243	4-40	ALL SERIES "M" BLOCKS
811262-2	304 311	6-32	ALL SERIES "M" BLOCKS



SEE TABLE FOR NO. (NUT SIZE)

DIMENSIONS IN INCHES. DO NOT SCALE PRINT.

©1962 BY AMP INCORPORATED. ALL RIGHTS RESERVED. AMP PRODUCTS COVERED BY PATENTS AND/OR PATENTS PENDING.

**CUSTOMER COPY
REFERENCE ONLY**

MATERIAL AND FINISH
— # —

AMP AMP INCORPORATED
HARRISBURG, PENNA.

WIRE — RANGE — INSULATION
— # —

CLASS — # —
TYPE — # —

TOLERANCE EXCEPT AS NOTED ± .015 ± 1' 0'

SCALE — # —
LOC M A NO C-811262 REV B-1

NAME
NUT DRIVER (SPECIAL)

DR J. H. H. 3/22/62 DE
CHK W. J. W. 3/29/62 APP Timmin 3/29/62

PRINT DIST
316