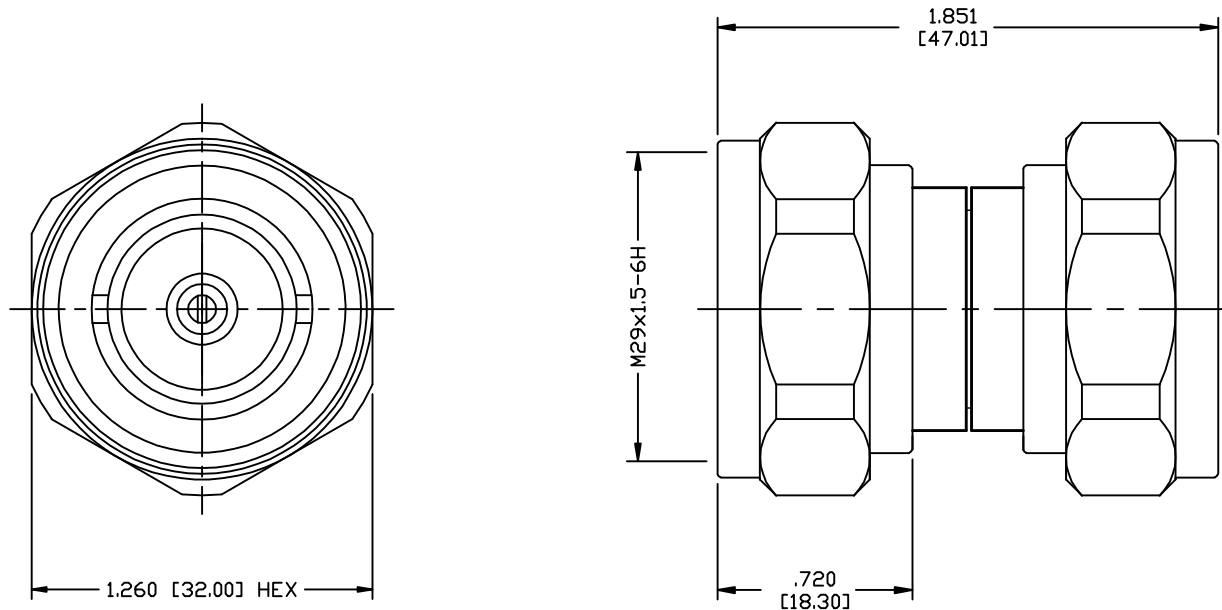


PART NO.

**P2RFD-1650-SS**

REV	DESCRIPTION	DWN	DATE	APPROVED
-	ENGINEERING RELEASE	CZS	6/22/12	JDMc
A	CHANGE TO O.A.L. DIM AND INTERNAL SUB-COMPONENTS	JDM	10/30/15	JDMc

**SPECIFICATIONS:**

IMPEDANCE: 50 OHMS  
 FREQUENCY RANGE: DC-7.5 GHz  
 VSWR MAX: <1.1:1 @ DC-3 GHz  
 INSERTION LOSS: -.01 dB x  $\sqrt{\text{FREQUENCY GHz}}$   
 PIM:  $\leq -160$  dBc @ 1900 MHz  
 RoHS COMPLIANT

DIMENSIONS ARE REFERENCE ONLY

#	DESCRIPTION	QTY	MATERIAL	FINISH
6	SHELL	2	SST. 303	PASSIVATED
5	O RING	2	S.I. RUBBER	---
4	GROUND RING	1	BRASS	WHITE BRONZE
3	INSULATOR	1	PTFE	---
2	PIN	1	BRASS	WHITE BRONZE
1	BODY	1	BRASS	WHITE BRONZE

CUSTOMER OUTLINE DRAWING	
ALL DIMENSIONS ARE REFERENCE ONLY	
UNLESS OTHERWISE SPECIFIED: DIMENSIONS ARE IN INCHES AND [MILLIMETERS]	
DRAWN JDMc	10/30/15
CHECKED	
ORJ DRAWN C. ZUNIGA	01/15/15

PROPRIETARY AND CONFIDENTIAL  
 THIS DRAWING CONTAINS  
 INFORMATION PROPRIETARY TO  
 RF INDUSTRIES. ANY  
 UNAUTHORIZED USE OF THIS  
 DRAWING IS EXPRESSLY  
 PROHIBITED WITHOUT WRITTEN  
 PERMISSION FROM RF  
 INDUSTRIES. ANY VIOLATION IS  
 PUNISHABLE UNDER U.S.  
 COPYRIGHT LAWS.

**RFconnectors**  
 DIVISION OF RF INDUSTRIES, LTD.

7610 MIRAMAR RD.  
 SAN DIEGO, CA 92126  
 (858) 549-6340  
 (858) 549-6345 FAX

## 7/16 DIN PLUG TO 7/16 DIN PLUG BARREL

SIZE	CABLE GROUP	DWG NO.	REV
A	N/A	<b>P2RFD-1650-SS</b>	—
SCALE: NTS	ENGINEERING ID: 1787	SHEET 1 OF 1	