

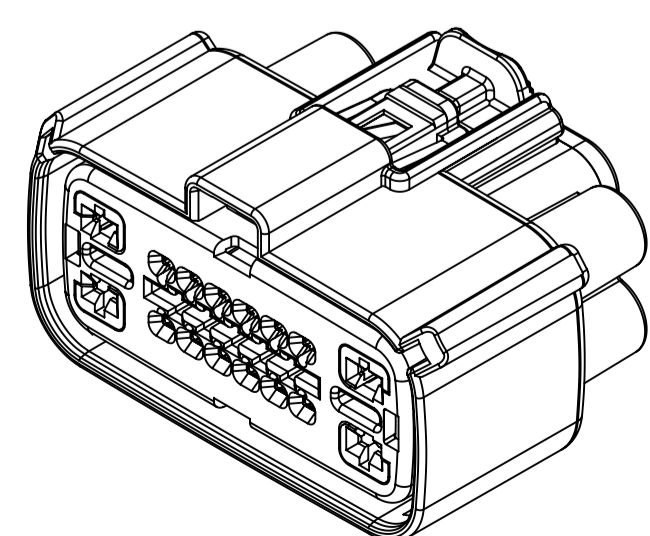
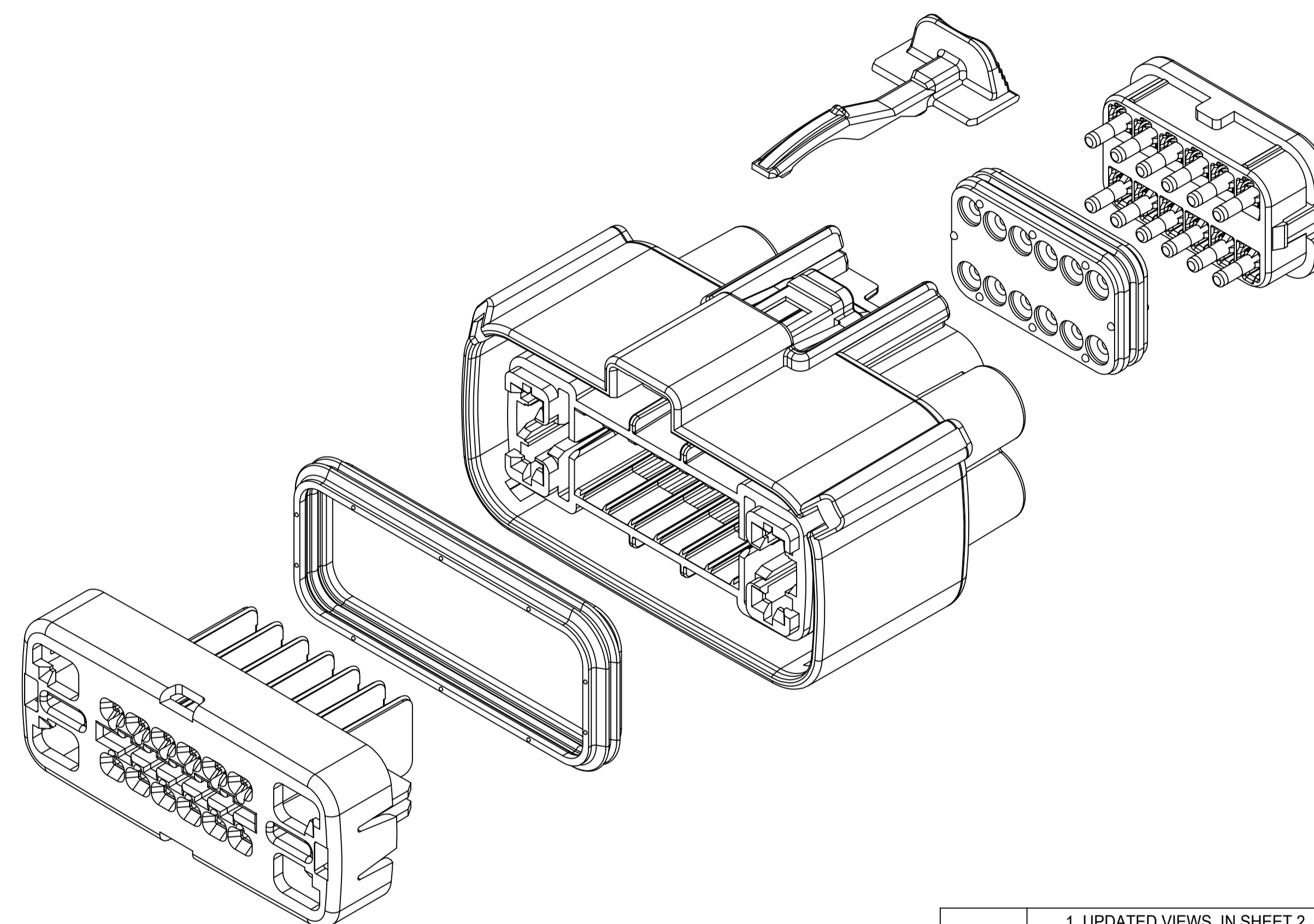
TABLE OF CONTENTS	
SHEET NO.	SHEET DESCRIPTION
1	NOTES AND BOM
2	CONFIGURATIONS
3	KEY CONFIGURATIONS
4	RECEPTACLE CONNECTOR ASSEMBLY

NOTES: VALID UNLESS OTHERWISE SPECIFIED

1. GENERAL:
- a. APPLICATION SPECIFICATION SEE: AS-33472-100
- CONTAINS: PRODUCT INTRODUCTION, PRODUCT SUMMARY, CONNECTOR ASSEMBLY, PACKAGING INFORMATION, CONNECTOR MATING, SERVICE INSTRUCTIONS, ELECTRICAL CONTINUITY CHECKING, CRIMPING, AND TROUBLESHOOTING.
 - DESIGNED TO MATE WITH DEVICE OR CONNECTOR AS SPECIFIED IN THE MATING INTERFACE/CONNECTOR DRAWINGS CHART.
 - *DENOTES DRAWINGS THAT CAN BE ACCESSED AT <http://ewcap.uscarteams.org/>.
 - ASSEMBLY SHIPPED WITH PLR IN PRE-LOCK POSITION (SEE PLR PRE-LOCK VIEW SHEET 4).
- b. PRODUCT SPECIFICATION SEE: PS-33476-000
- CONTAINS: PRODUCT INTRODUCTION, PRODUCT SUMMARY, RATINGS (CURRENT, TEMPERATURE, SEALING, AND FLAMMABILITY), TERMINALS, WIRE DIAMETER RANGE, PRODUCT VALIDATION, AND PRODUCT DEVIATIONS.
- c. PACKAGING SPECIFICATION PER MOLEX DRAWING: SEE PACKAGING CHART
- d. PARTS MUST BE IN COMPLIANCE TO MOLEX CHEMICAL SUBSTANCES FOR PRODUCTS AND PACKAGING SPECIFICATION: QEHS-699000-300
- e. DATA MUST BE SUBMITTED UNDER THE MOLEX PART NUMBER TO IMDS (COMPANY ID#13255)
2. DESIGN - MATERIALS:
- a. SEE BOM TABLE IN SD-34985-8002
3. DESIGN - GEOMETRY:
- a. THE 3-D CAD DATA IS BASIC (WITHOUT TOLERANCE) AND MASTER FOR THIS PART WITH THE EXCEPTION OF UNDERLINED DIMENSIONS. DIMENSIONAL INFORMATION NOT SHOWN ON THIS DRAWING IS DEFINED BY THE DATA FILE AT ITS LATEST REVISION.
- b. GEOMETRIC DIMENSIONS AND TOLERANCES PER ASME Y14.5M-2009
- c. EDGES AND UNDIMENSIONED DETAILS PER ISO13715
- d. CORNERS SHOWN AS SHARP TO BE R 0.2 MAX.
- e. LETTERING SHALL BE 0.15 MAX RAISED IN 0.25 MAX RECESS PAD. THIS INCLUDES RECYCLING CODE, CAVITY ID, VENDOR IDENTIFICATION, AND CUSTOMER MATERIAL NUMBER.
- f. VISUAL DEFECTS SHALL MEET COSMETIC STANDARD PS-45499-002 (Class B).
- g. LASER MARKING:
1. PART NUMBER
 2. DAY OF THE YEAR
 3. SHIFT
 4. YEAR
- FOR ADDITIONAL INFORMATION SEE SECTION 5 UNDER PROCEDURES IN ES-34735-008.

PACKAGING	
DESCRIPTION	DRAWING NO.
W/ CLIPSLOT	PK-30907-895
W/O CLIPSLOT	PK-31300-094

MATING INTERFACE/CONNECTOR DRAWINGS		
DESCRIPTION	INTERFACE DEFINITION	MOLEX INLINE
W/O SHORTING BAR	*999-S-016-2-Z02	SD-34986-8001
W/ SHORTING BAR	N/A	SD-34986-8001



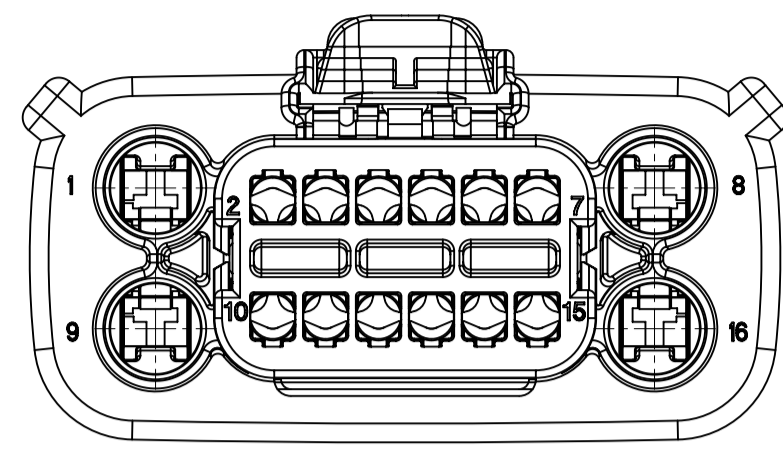
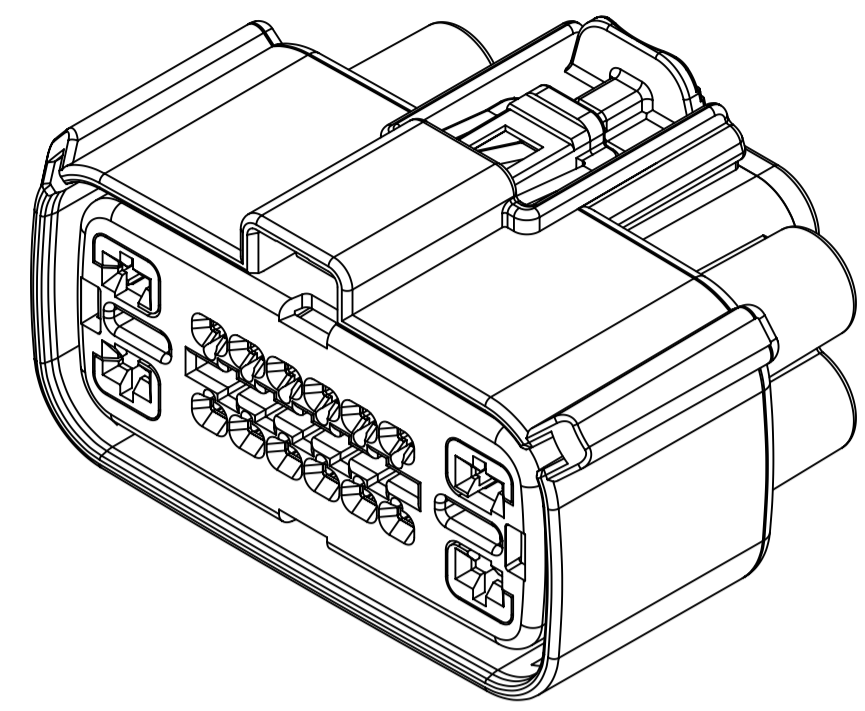
INSPECTION NUMBER LOG	
LAST NUMBER: 11	
ADDED:	
REMOVED:	

D1	1. UPDATED VIEWS IN SHEET 2 2. CHANGED DIM 10.98 TO 11.00, 6.61 TO 6.60, 15.00+/-0.10 TO 15.00+0.30/-0.20 IN SHEET 4
D	REMOVED BOM (REFER TO SD-34985-8002)
C	NEW P/N 34985-4026 THRU 4028
B	NEW P/N 34985-4023 THRU 4025
A2	UPDATED PACKAGING DWGS
A1	FIXED TYPO IN NOTE 1a
A	INITIAL RELEASE
REV	REV DESCRIPTION

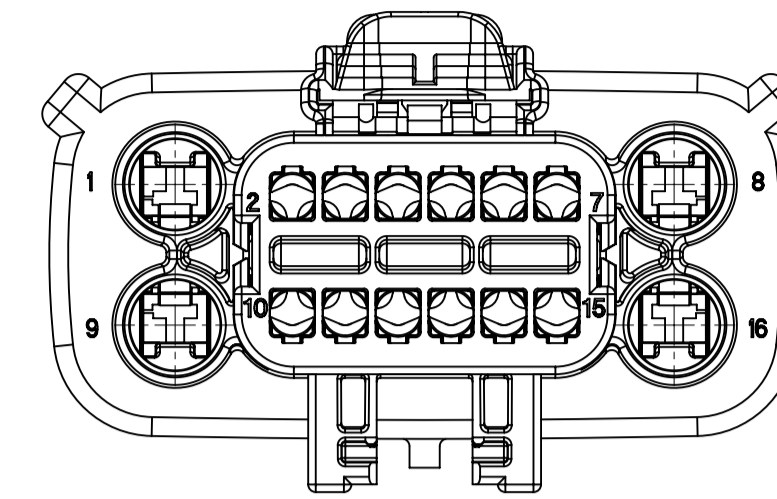
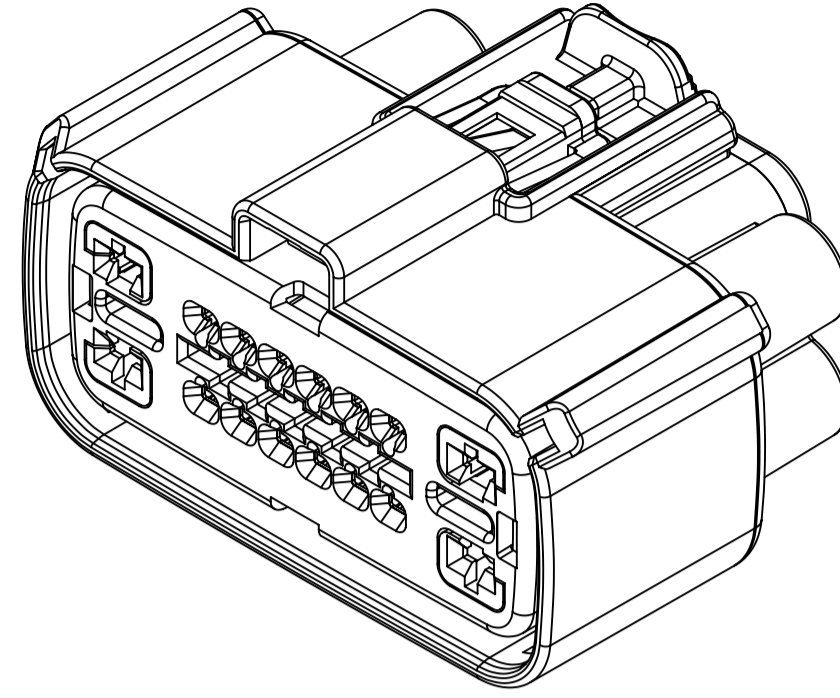
SYMBOLS	THIS DRAWING CONTAINS INFORMATION THAT IS PROPRIETARY TO MOLEX ELECTRONIC TECHNOLOGIES, LLC AND SHOULD NOT BE USED WITHOUT WRITTEN PERMISSION		CURRENT REV DESC:		
	DIMENSION UNITS	SCALE			
= 0	mm	1.5:1	EC NO: 177763		MX150 16 WAY HYBRID RECPT SEALED ASSEMBLY PRODUCT CUSTOMER DRAWING
= 0	GENERAL TOLERANCES (UNLESS SPECIFIED)		DRWN: LSONG05	2018/05/30	
= 0	ANGULAR TOL ± 3.0°		CHK'D: MVANSLAMBROU	2018/06/12	
= 0	4 PLACES ±		APPR: MVANSLAMBROU	2018/06/12	
= 0	3 PLACES ±		INITIAL REVISION:		DOCUMENT NUMBER: SD-34985-8001 DOC TYPE: PSD DOC PART: 001 REVISION: D1
= 0	2 PLACES ± 0.1		DRWN: TYE	2014/09/12	
= 0	1 PLACE ± 0.3		APPR: VKOSHY	2014/09/22	MATERIAL NUMBER: 34985 CUSTOMER: GENERAL MARKET SHEET NUMBER: 1 OF 4
= 0	0 PLACES ±		THIRD ANGLE PROJECTION		
= 0	DRAFT WHERE APPLICABLE MUST REMAIN WITHIN DIMENSIONS		DRAWING: A1-SIZE	SERIES: 34985	

SHEET DESCRIPTION

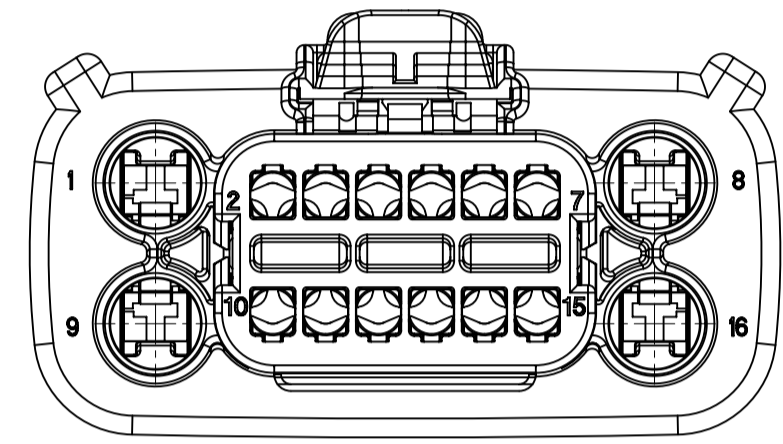
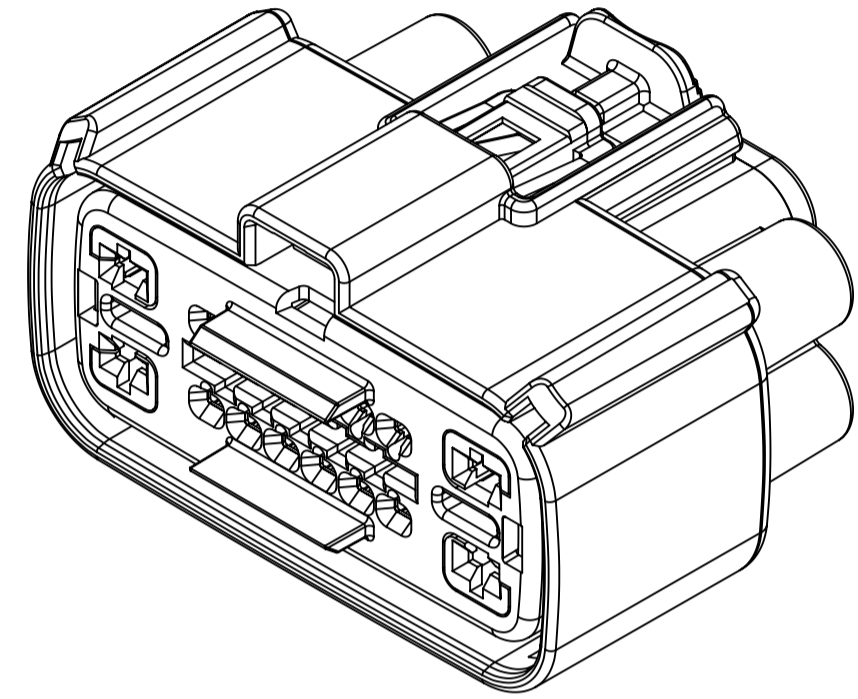
CONFIGURATIONS



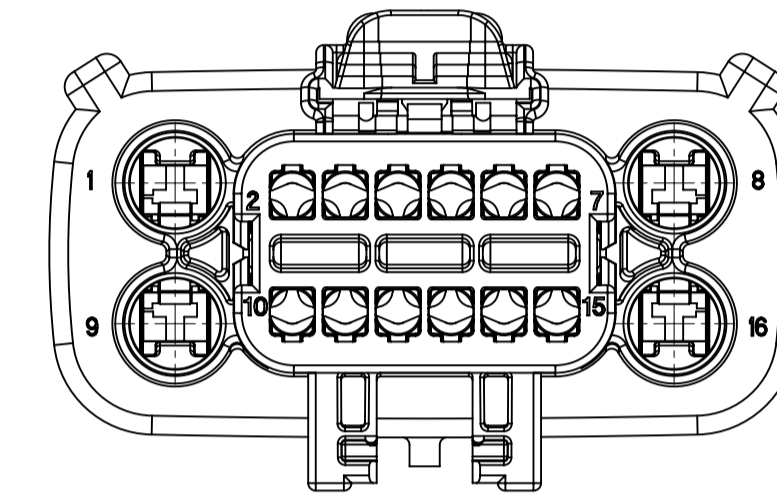
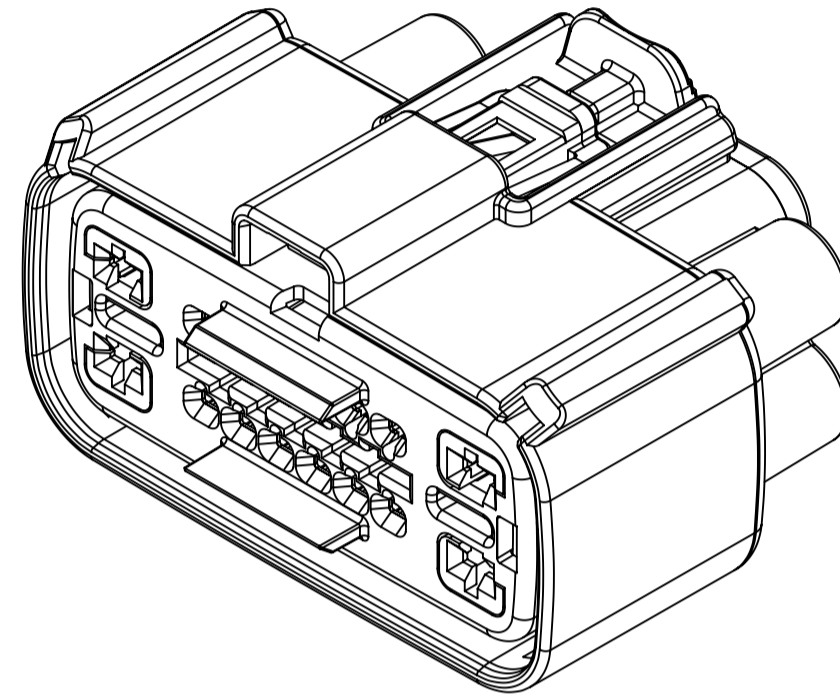
STANDARD (STD) - ALL OPEN 2.8mm CAVITIES



STANDARD (STD) - ALL OPEN 2.8mm CAVITIES WITH CLIPSLOT



SHORTING (SHRT) BAR - ALL OPEN 2.8mm CAVITIES

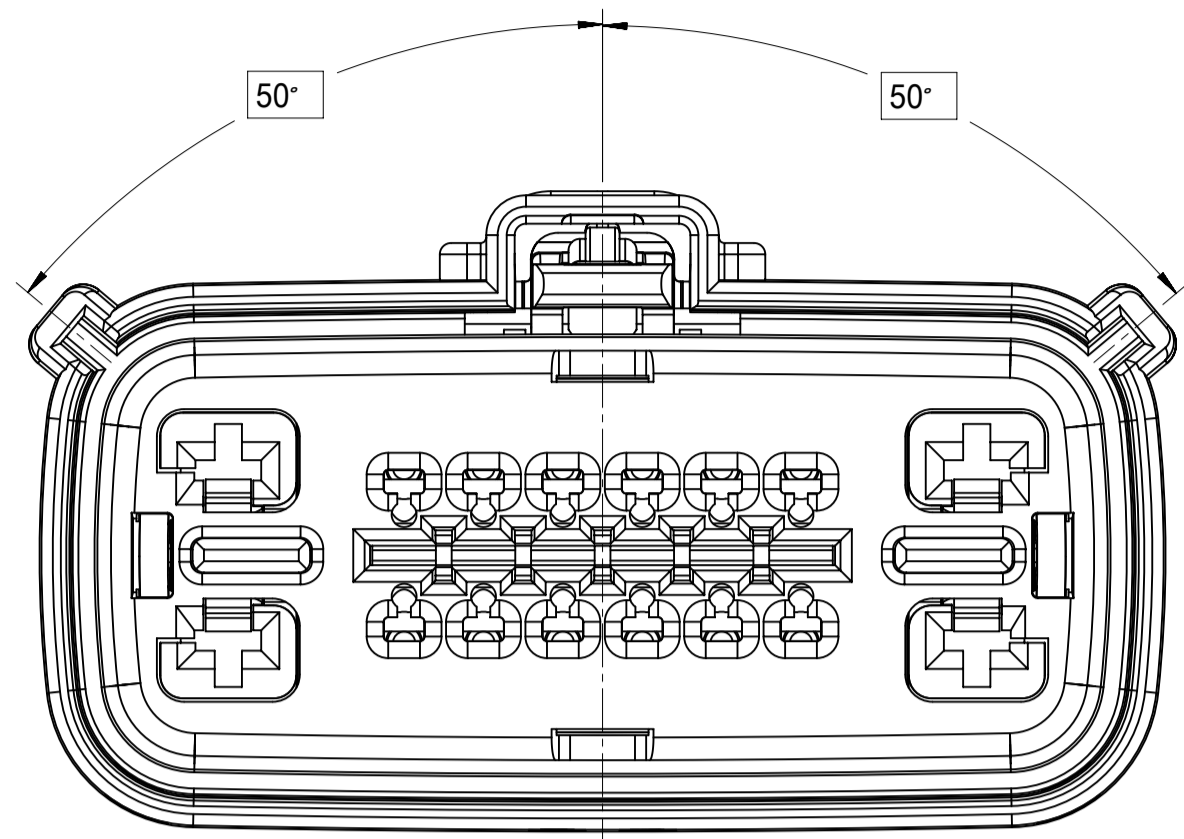


SHORTING (SHRT) BAR - ALL OPEN 2.8mm CAVITIES WITH CLIPSLOT

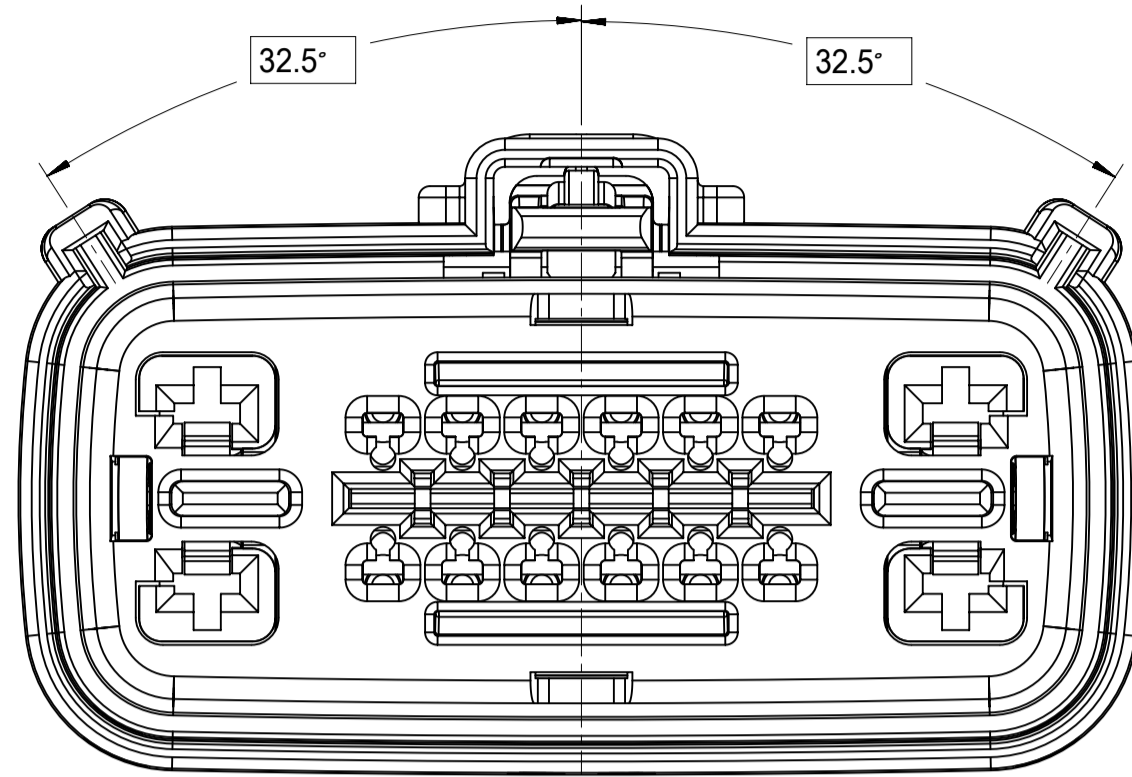
SYMBOLS		THIS DRAWING CONTAINS INFORMATION THAT IS PROPRIETARY TO MOLEX ELECTRONIC TECHNOLOGIES, LLC AND SHOULD NOT BE USED WITHOUT WRITTEN PERMISSION		CURRENT REV DESC:		molex			
	= 0	DIMENSION UNITS	SCALE	EC NO: 177763 DRWN: LSONG05 2018/05/30 CHK'D: MVANSLAMBROU 2018/06/12 APPR: MVANSLAMBROU 2018/06/12		MX150 16 WAY HYBRID RECPT SEALED ASSEMBLY			
	= 0	mm	2:1						
	= 0	GENERAL TOLERANCES (UNLESS SPECIFIED)							
	= 0	ANGULAR TOL	± 3.0°	INITIAL REVISION: DRWN: TYE 2014/09/12 APPR: VKOSHY 2014/09/22		PRODUCT CUSTOMER DRAWING			
	= 0	4 PLACES	±						
	= 0	3 PLACES	±						
	= 0	2 PLACES	± 0.1						
	= 0	1 PLACE	± 0.3						
	= 0	0 PLACES	±	THIRD ANGLE PROJECTION 		DOCUMENT NUMBER	DOC TYPE	DOC PART	REVISION
	= 0	DRAFT WHERE APPLICABLE MUST REMAIN WITHIN DIMENSIONS				A1-SIZE 34985		SD-34985-8001	PSD
						MATERIAL NUMBER	CUSTOMER		SHEET NUMBER
							GENERAL MARKET		2 OF 4

SHEET DESCRIPTION

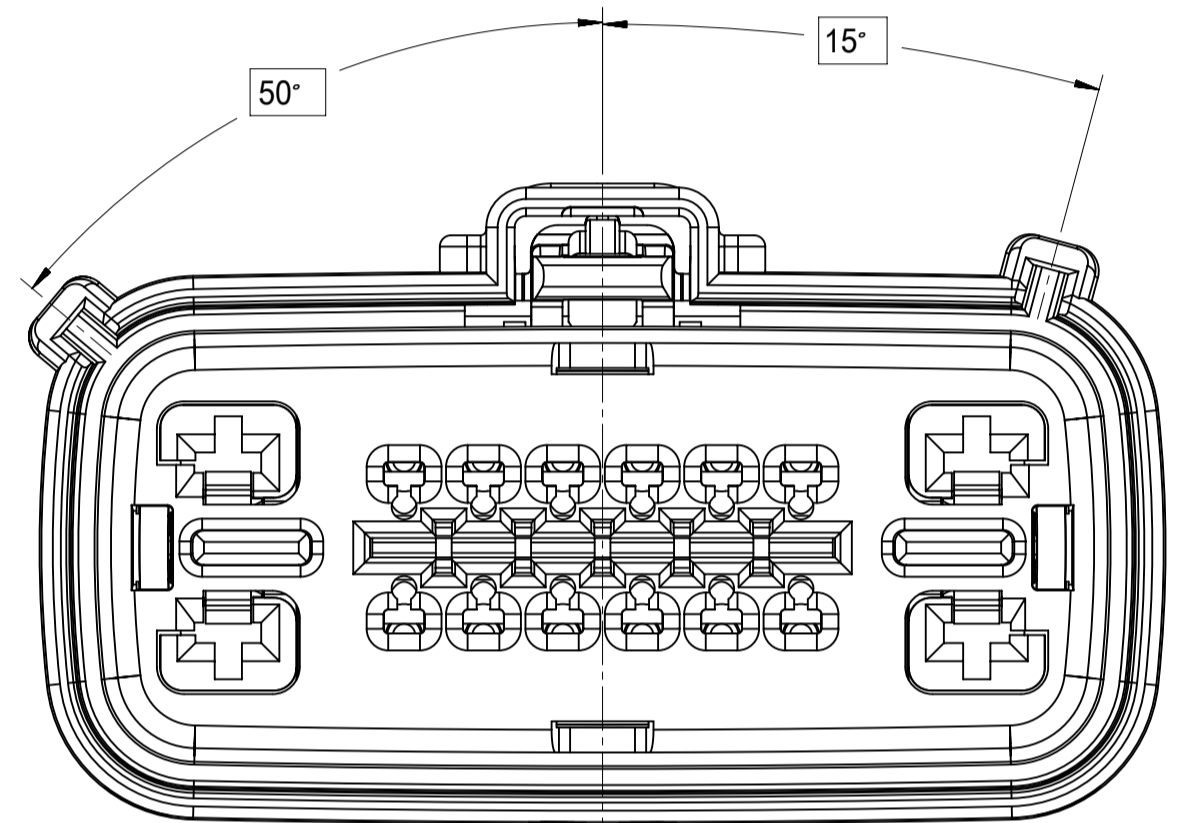
KEY CONFIGURATIONS



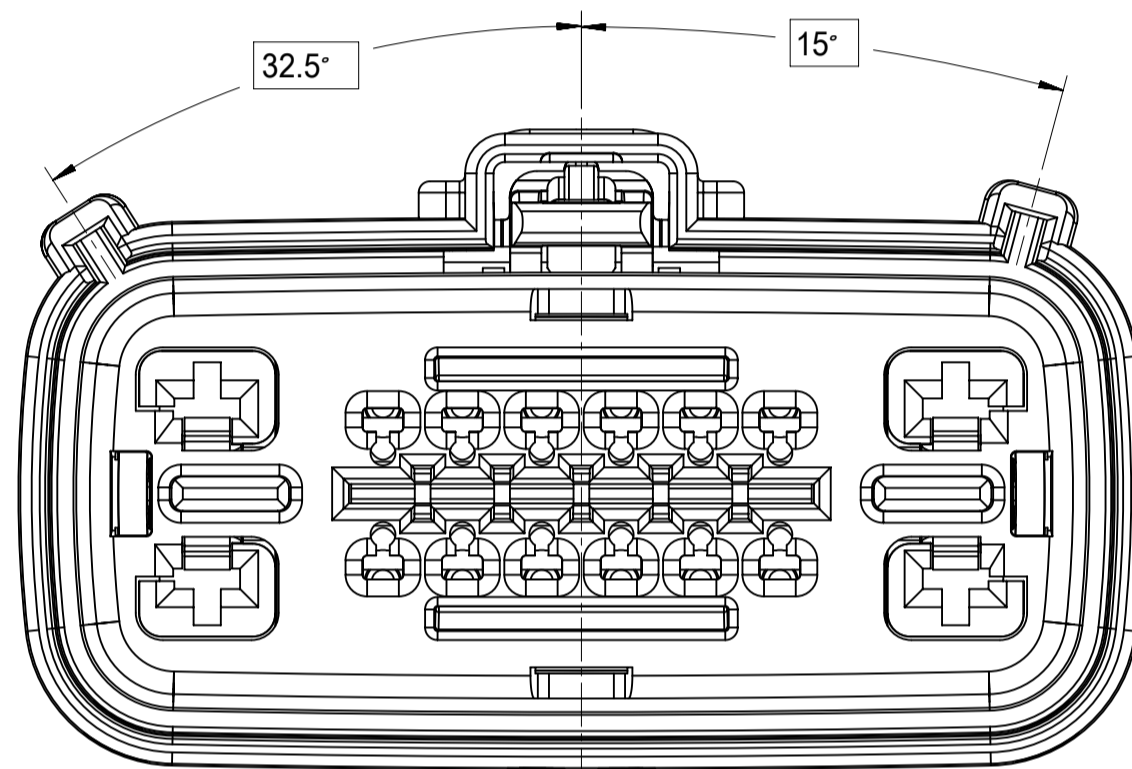
KEY A



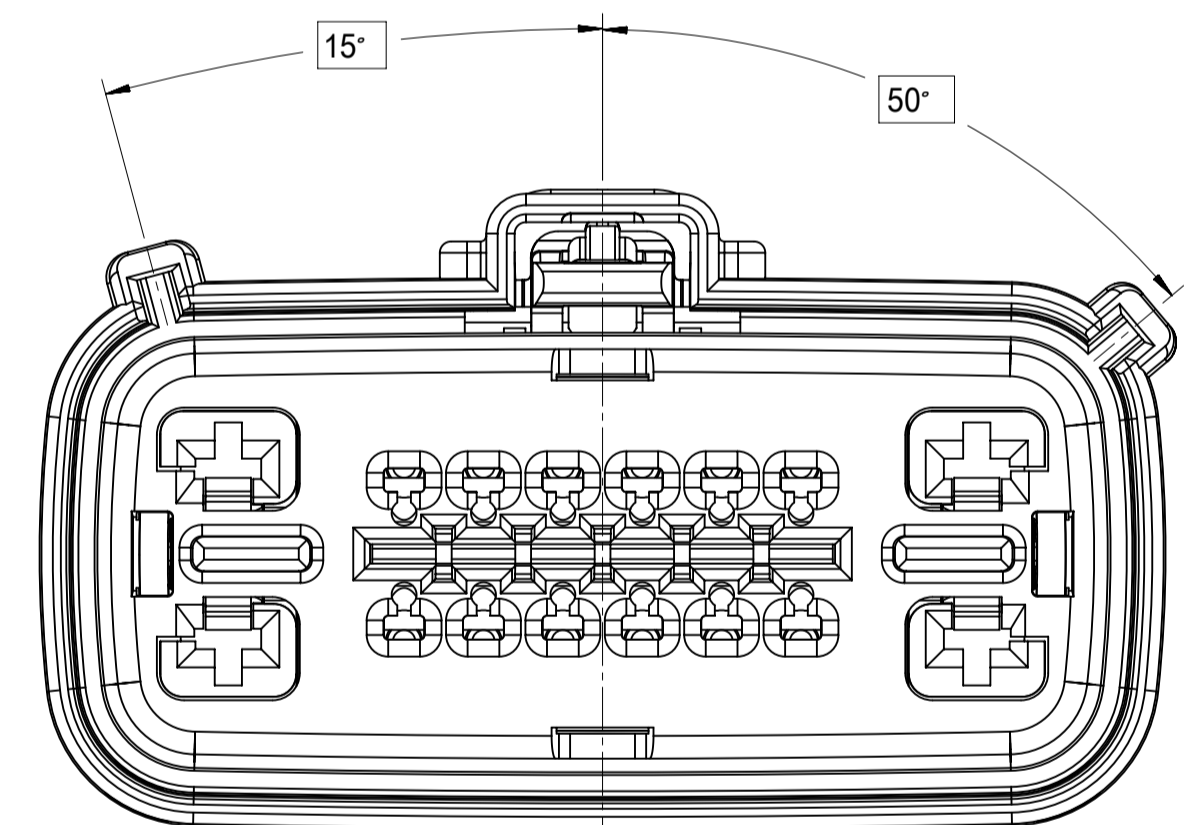
KEY E



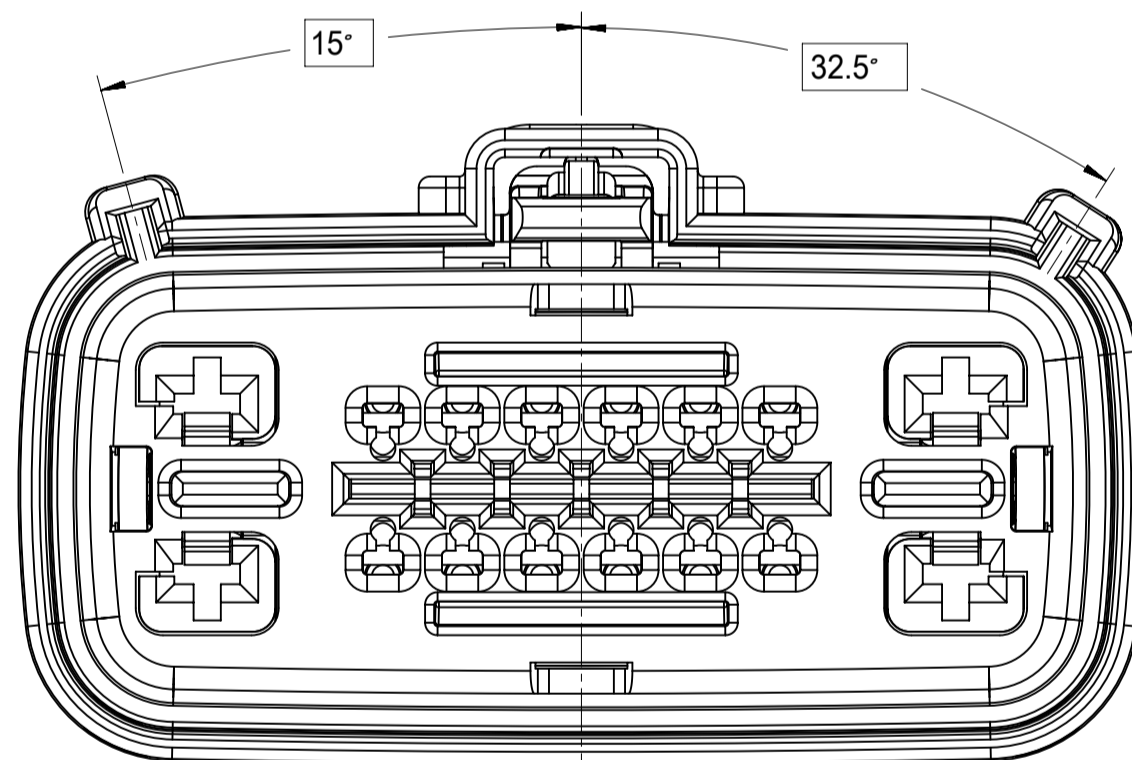
KEY B



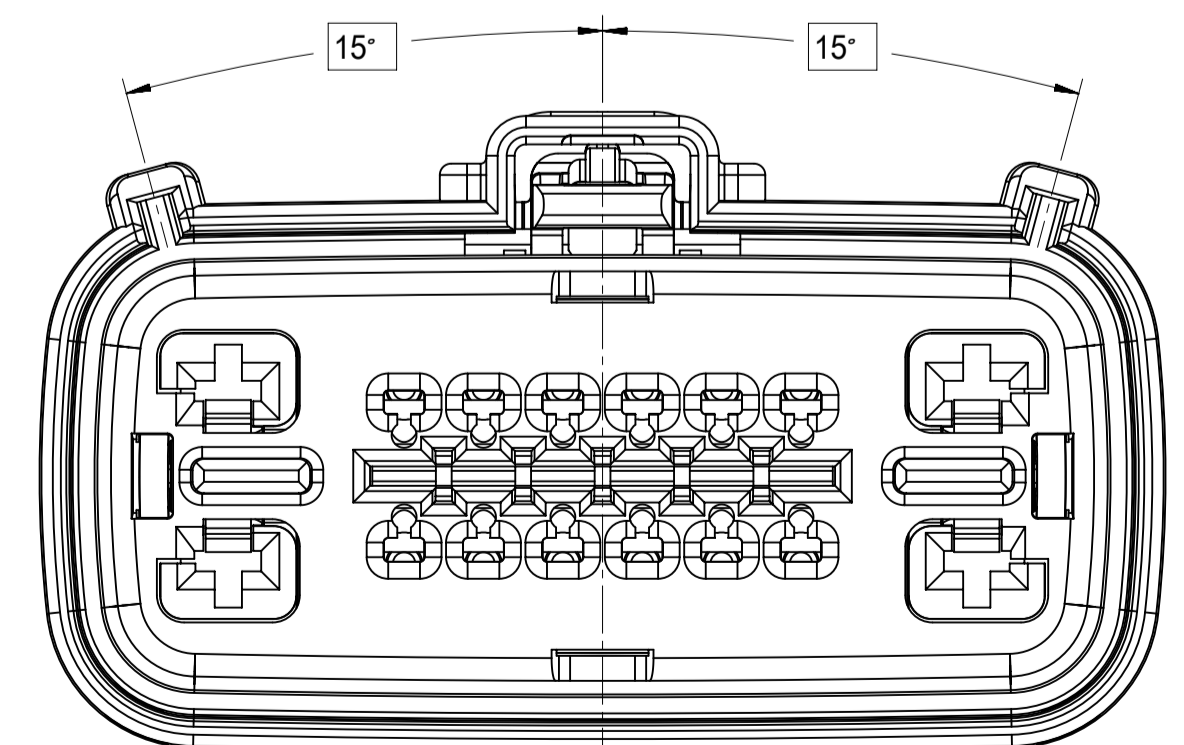
KEY F



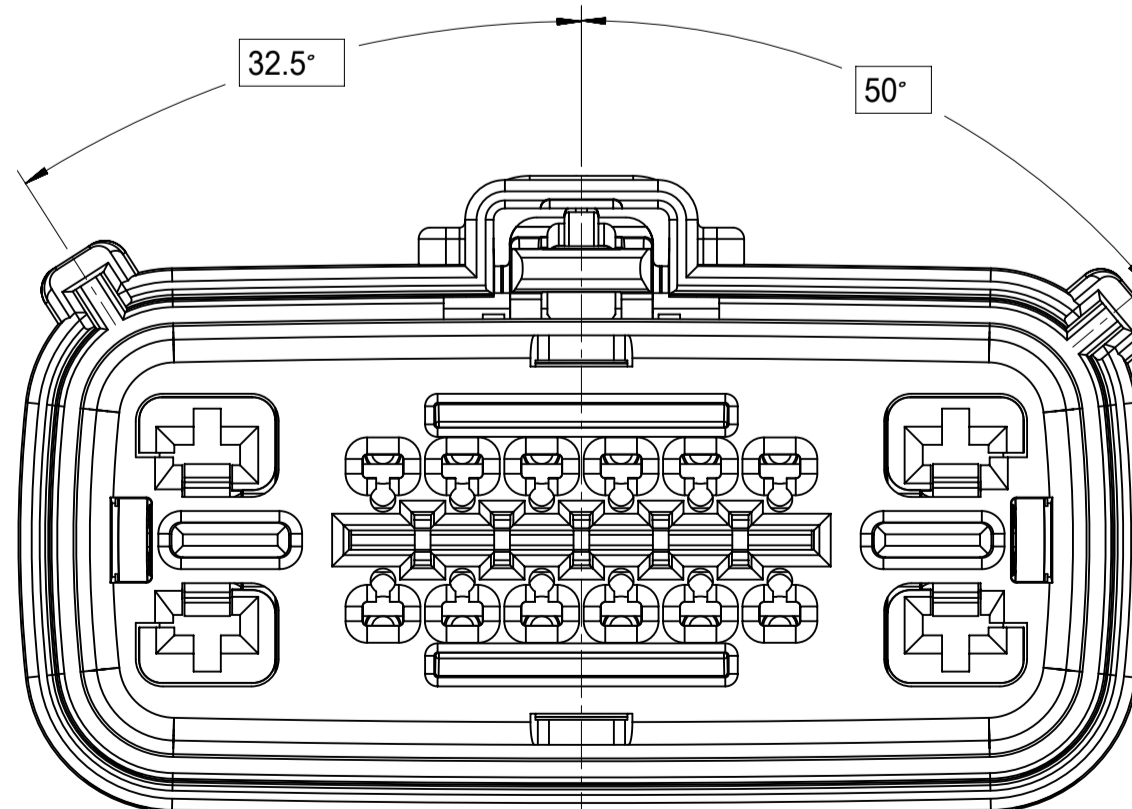
KEY C



KEY G



KEY D

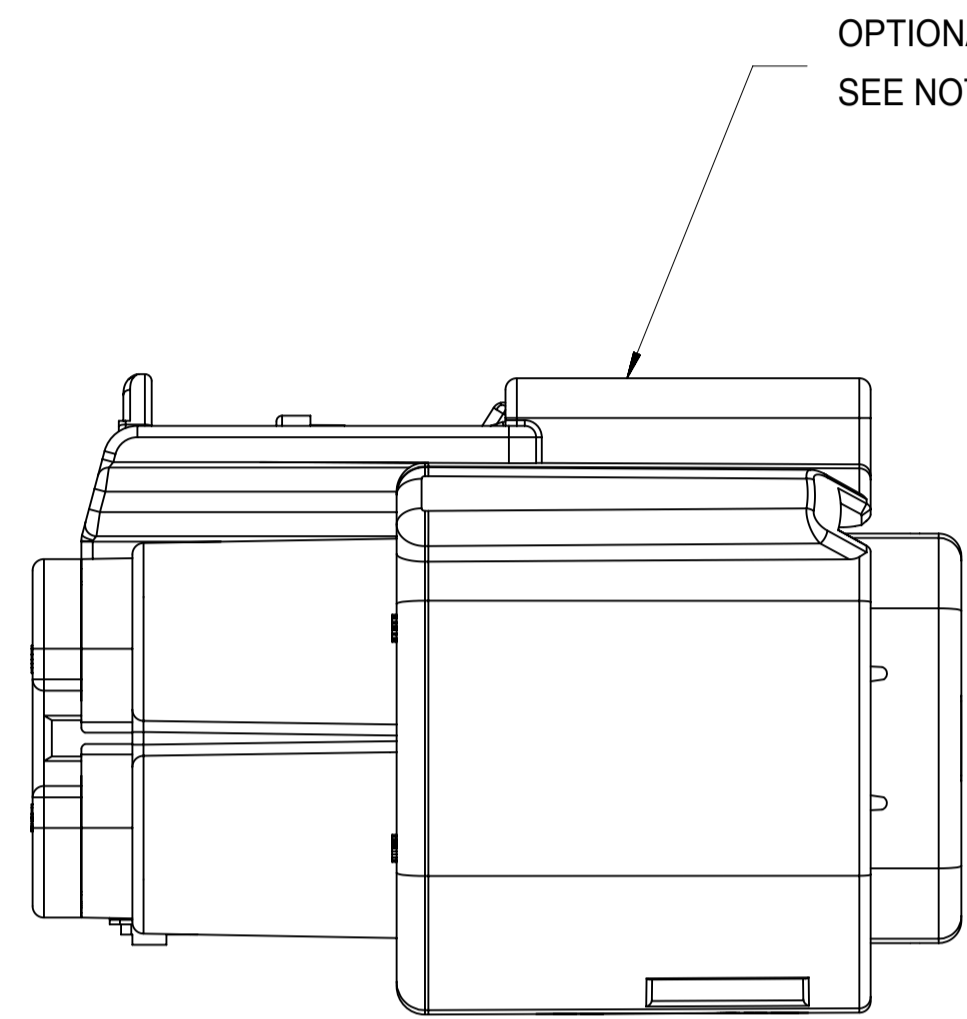


KEY H

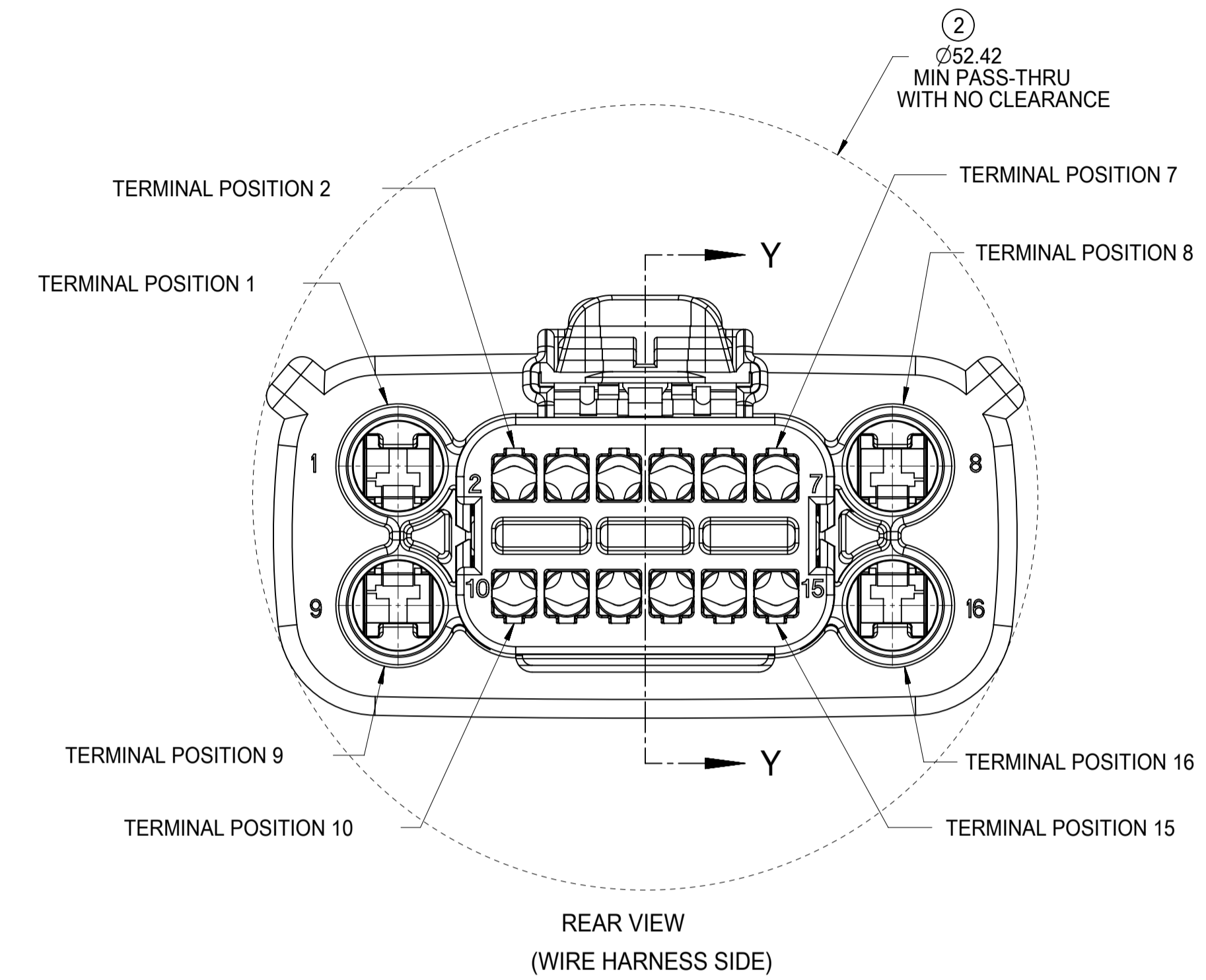
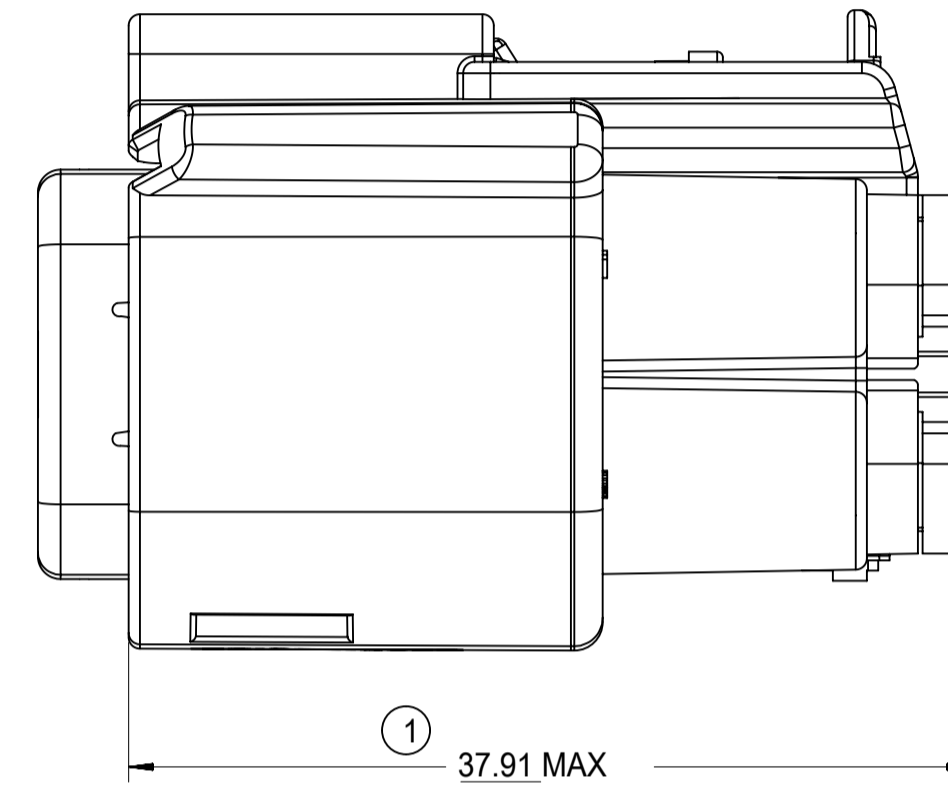
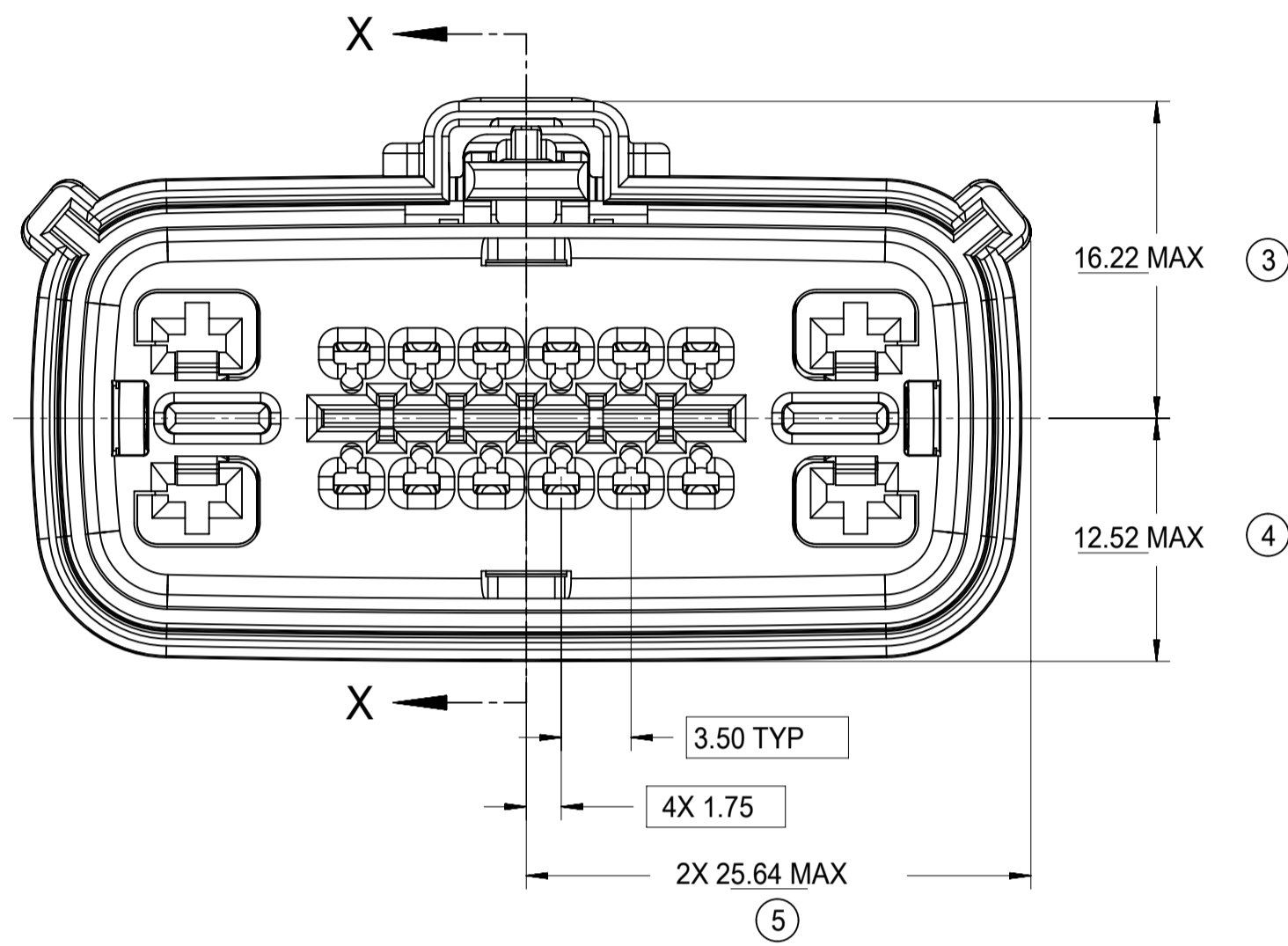
SYMBOLS	THIS DRAWING CONTAINS INFORMATION THAT IS PROPRIETARY TO MOLEX ELECTRONIC TECHNOLOGIES, LLC AND SHOULD NOT BE USED WITHOUT WRITTEN PERMISSION		CURRENT REV DESC:				
	DIMENSION UNITS	SCALE					
▽ = 0	mm	3:1	GENERAL TOLERANCES (UNLESS SPECIFIED)		CHK'D: MVANSLAMBROU	2018/06/12	PRODUCT CUSTOMER DRAWING
▽ = 0	ANGULAR TOL ± 3.0°		4 PLACES ±		APPR: MVANSLAMBROU	2018/06/12	
▽ = 0	3 PLACES ±		INITIAL REVISION:		DRWN: TYE	2014/09/12	DOCUMENT NUMBER
▽ = 0	2 PLACES ± 0.1		1 PLACE ± 0.3		APPR: VKOSHY	2014/09/22	SD-34985-8001
▽ = 0	1 PLACE ±		DRAFT WHERE APPLICABLE MUST REMAIN WITHIN DIMENSIONS		THIRD ANGLE PROJECTION	DRAWING	DOC TYPE DOC PART REVISION
▽ = 0	0 PLACES ±		A1-SIZE		SERIES	34985	PSD 001 D1
▽ = 0	0 PLACES ±		MATERIAL NUMBER		CUSTOMER	GENERAL MARKET	SHEET NUMBER
▽ = 0	0 PLACES ±		3 OF 4				

SHEET DESCRIPTION

RECEPTACLE CONNECTOR ASSEMBLY



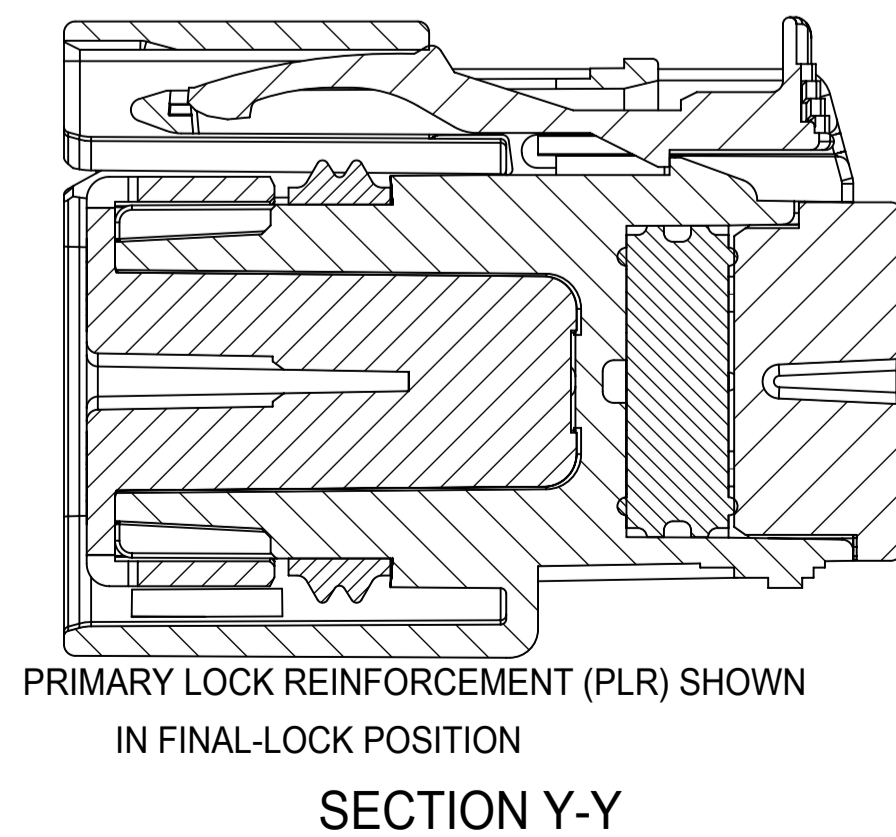
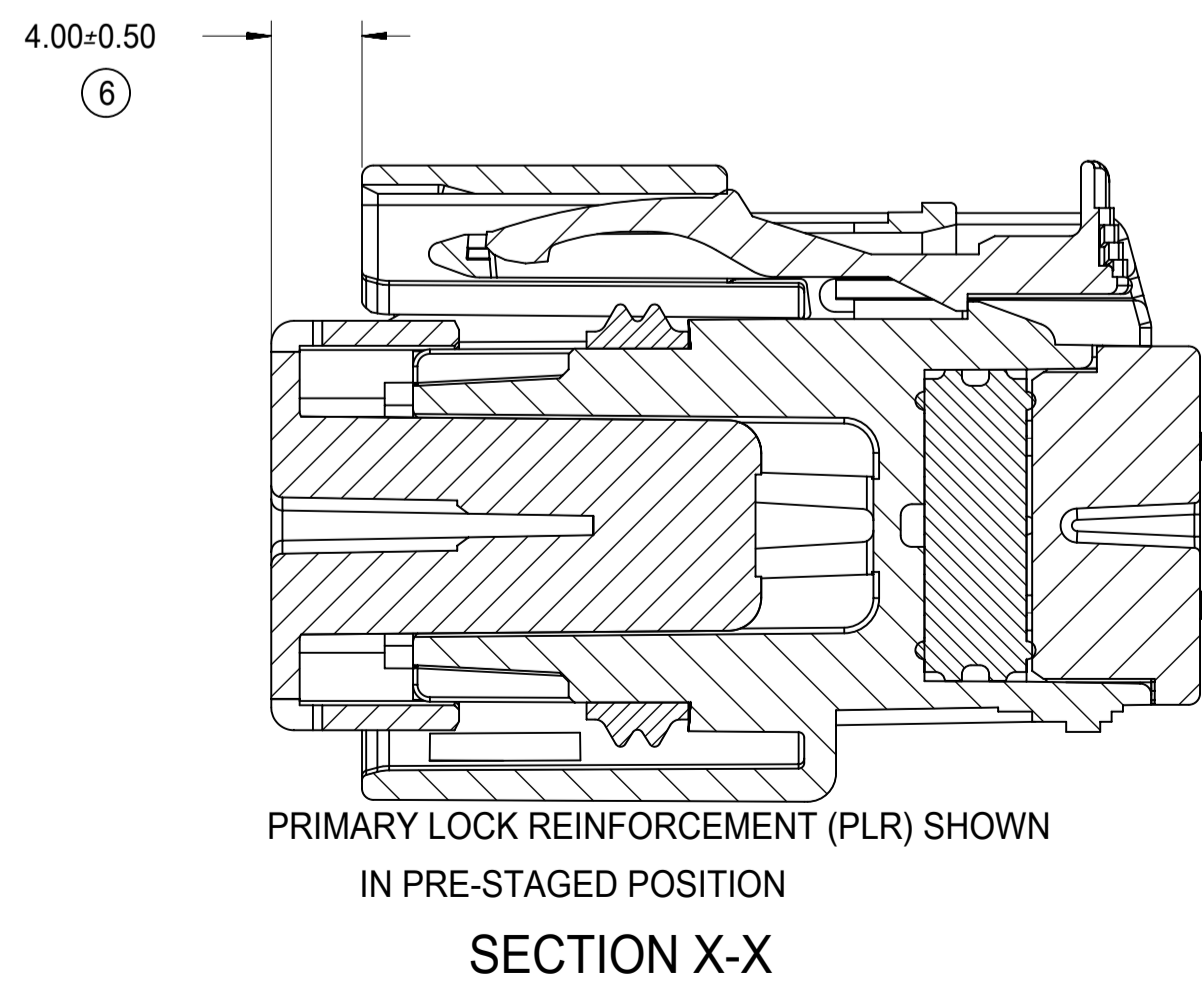
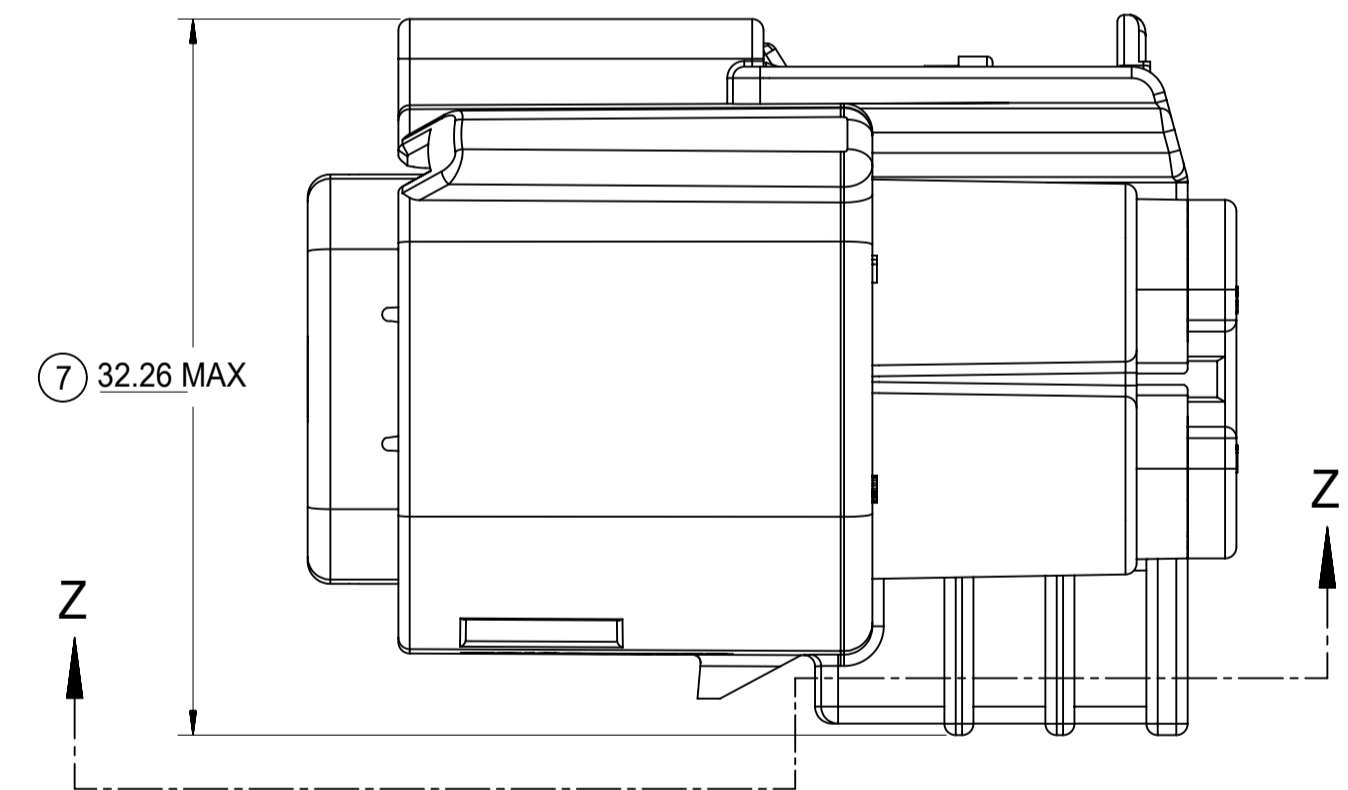
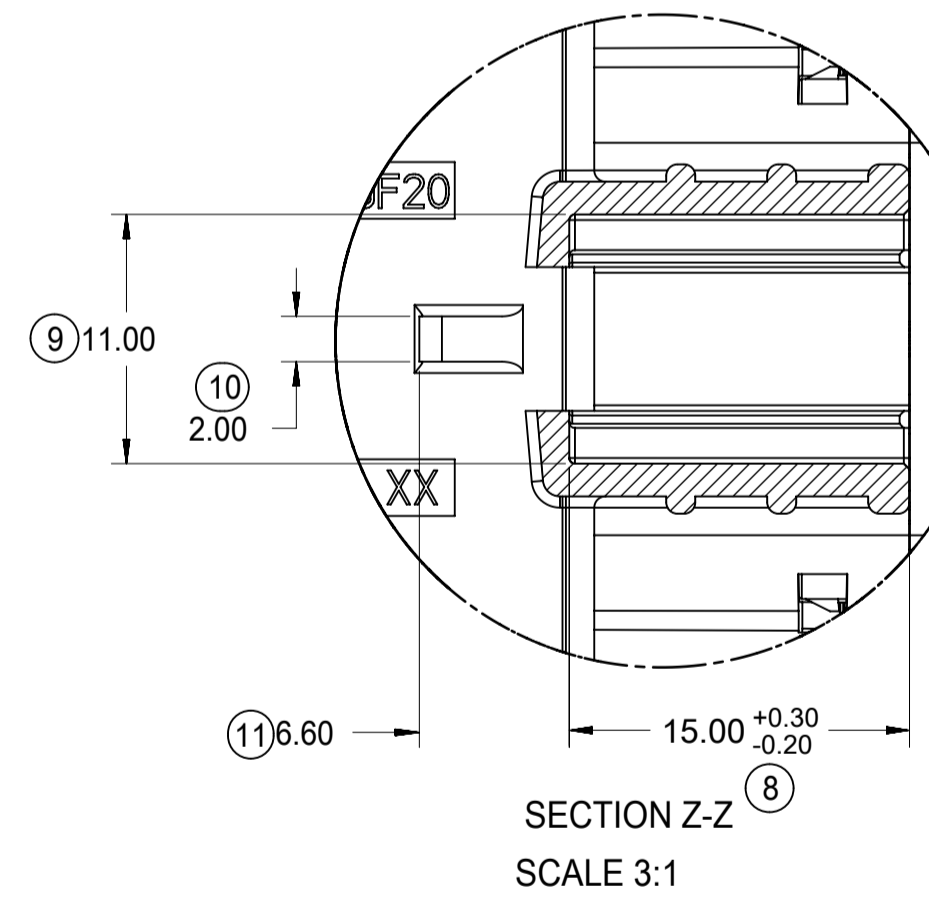
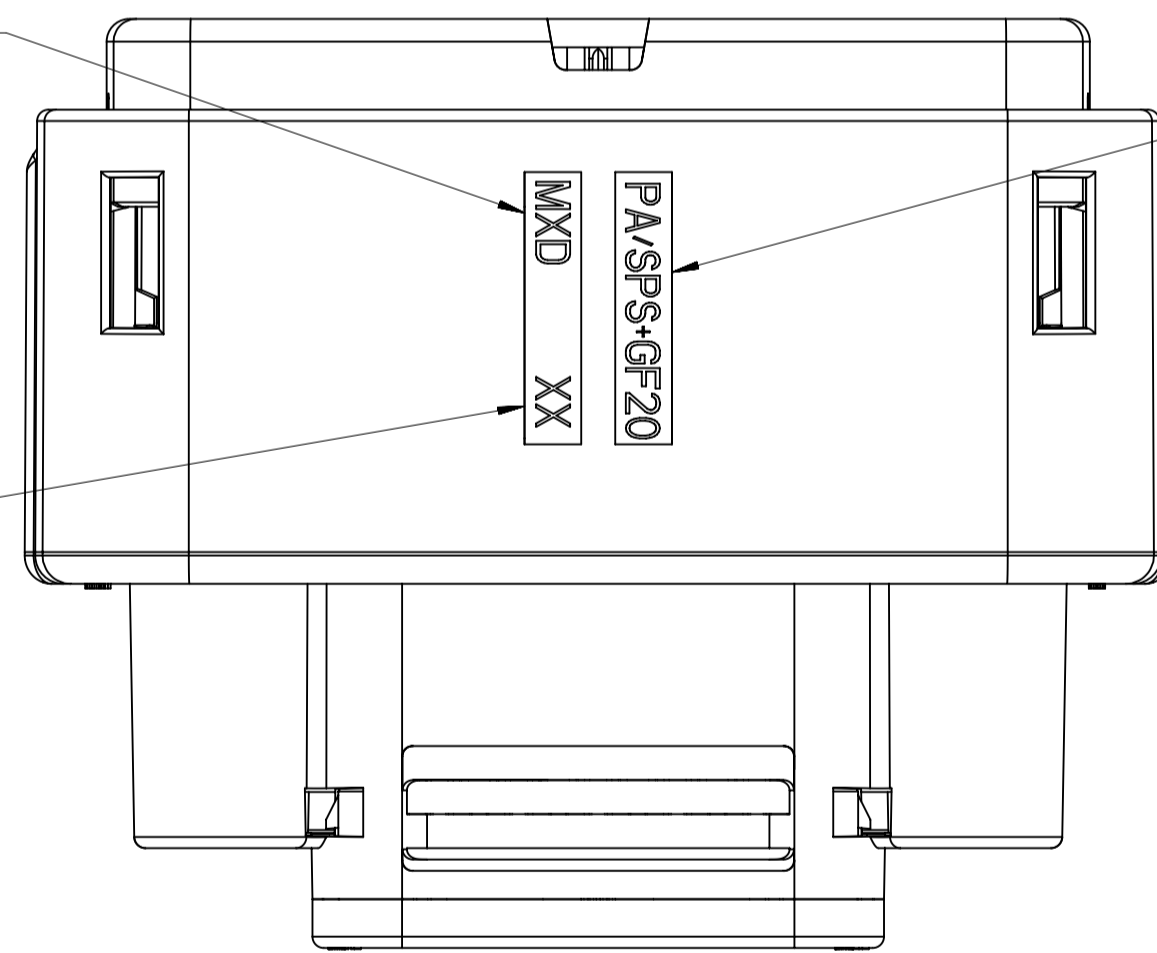
OPTIONAL LASER MARKING ON THIS SURFACE
SEE NOTE 3g.



MANUFACTURING LOCATION
CODE THIS LOCATION

RECYCLE CODE
THIS LOCATION

MOLD CAVITY I.D.
THIS LOCATION



SYMBOLS		THIS DRAWING CONTAINS INFORMATION THAT IS PROPRIETARY TO MOLEX ELECTRONIC TECHNOLOGIES, LLC AND SHOULD NOT BE USED WITHOUT WRITTEN PERMISSION	
DIMENSION UNITS	SCALE	CURRENT REV DESC:	
∇ = 0	mm	3:1	
∇ = 0	GENERAL TOLERANCES (UNLESS SPECIFIED)		
∇ = 0	ANGULAR TOL ± 3.0°		
∇ = 0	4 PLACES	±	
∇ = 0	3 PLACES	±	
∇ = 0	2 PLACES	± 0.1	
∇ = 0	1 PLACE	± 0.3	
∇ = 0	0 PLACES	±	
∇ = 0	DRAFT WHERE APPLICABLE MUST REMAIN WITHIN DIMENSIONS		
∇ = 0	THIRD ANGLE PROJECTION	DRAWING	SERIES
		A1-SIZE	34985
		EC NO: 177763	
		DRWN: LSONG05	2018/05/30
		CHK'D: MVANSLAMBROU	2018/06/12
		APPR: MVANSLAMBROU	2018/06/12
		INITIAL REVISION:	
		DRWN: TYE	2014/09/12
		APPR: VKOSHY	2014/09/22
		DOCUMENT NUMBER	DOC TYPE DOC PART REVISION
		SD-34985-8001	PSD 001 D1
		MATERIAL NUMBER	CUSTOMER
		GENERAL MARKET	SHEET NUMBER
			4 OF 4

MX150 16 WAY HYBRID RECEPTACLE SEALED ASSEMBLY MAT SEAL (WITHOUT CLIPSLOT, 2.8mm CAVITIES OPEN) BOM AND PIN OUT SHEET

Table with columns: ASSEMBLY DESCRIPTION, ASSEMBLY PART NUMBER, COMPONENT (HOUSING KEY/COLOR, GROMMET CAP, PLR, CPA, MAT SEAL, RING SEAL), BLOCKED TERMINALS (1-16), STATUS, COMMENTS, and OPTIONAL ATTACHMENTS SOLD SEPERATELY (BACKSHELL WITH RIBS, BACKSHELL WITHOUT RIBS).

MX150 16 WAY HYBRID RECEPTACLE SEALED ASSEMBLY MAT SEAL (WITH CLIPSLOT, 2.8mm CAVITIES OPEN)
BOM AND PIN OUT SHEET

ASSEMBLY DESCRIPTION	ASSEMBLY PART NUMBER	COMPONENT						BLOCKED TERMINALS																STATUS	COMMENTS	OPTIONAL ATTACHMENTS SOLD SEPERATELY		
		THE PRESENCE OF AN ABBREVIATION INDICATES THE PRESENCE OF THAT COMPONENT.						CAVITY WITH A NUMBER INDICATES BLOCKED TERMINAL POSITION CAVITY WITHOUT A NUMBER INDICATES OPEN TERMINAL POSITION																		BACKSHELL WITH RIBS	BACKSHELL WITHOUT RIBS	
		HOUSING KEY/COLOR	GROMMET CAP	PLR	CPA	MAT SEAL	RING SEAL	1	2	3	4	5	6	7	8	9	10	11	12	13	14	15	16					
KEY A, BLACK, W/ CLIPSLOT, W/O CPA	34985-2382	A-BLK-CLIP	GC	PLR		M	R				5						10					14	15		SALEABLE		NOT AVAILABLE	NOT AVAILABLE
KEY A, BLACK, W/ CLIPSLOT, W/O CPA	34985-2383	A-BLK-CLIP	GC	PLR		M	R				5						10	11	12	13					SALEABLE		NOT AVAILABLE	NOT AVAILABLE
KEY A, BLACK, W/ CLIPSLOT, W/O CPA	34985-2384	A-BLK-CLIP	GC	PLR		M	R				5						10	11	12	13					SALEABLE		NOT AVAILABLE	NOT AVAILABLE
KEY A, BLACK, W/ CLIPSLOT, W/O CPA	34985-2385	A-BLK-CLIP	GC	PLR		M	R				5	6	7				10	11	12				15		SALEABLE		NOT AVAILABLE	NOT AVAILABLE
KEY A, BLACK, W/ CLIPSLOT, W/O CPA	34985-2386	A-BLK-CLIP	GC	PLR		M	R				5	6					10			13			15		SALEABLE		NOT AVAILABLE	NOT AVAILABLE
KEY A, BLACK, W/ CLIPSLOT, W/O CPA	34985-2387	A-BLK-CLIP	GC	PLR		M	R				5						10	11					15		SALEABLE		NOT AVAILABLE	NOT AVAILABLE
KEY A, BLACK, W/ CLIPSLOT, W/O CPA	34985-2388	A-BLK-CLIP	GC	PLR		M	R				5	6	7				10			13			15		SALEABLE		NOT AVAILABLE	NOT AVAILABLE
KEY A, BLACK, W/ CLIPSLOT, W/O CPA	34985-2389	A-BLK-CLIP	GC	PLR		M	R				5	6	7												SALEABLE		NOT AVAILABLE	NOT AVAILABLE
KEY A, BLACK, W/ CLIPSLOT, W/O CPA	34985-2390	A-BLK-CLIP	GC	PLR		M	R				5	6							12			14			SALEABLE		NOT AVAILABLE	NOT AVAILABLE
KEY A, BLACK, W/ CLIPSLOT, W/O CPA	34985-2391	A-BLK-CLIP	GC	PLR		M	R				5		7							13	14	15			SALEABLE		NOT AVAILABLE	NOT AVAILABLE
KEY A, BLACK, W/ CLIPSLOT, W/O CPA	34985-2392	A-BLK-CLIP	GC	PLR		M	R				5		7							13	14	15			SALEABLE		NOT AVAILABLE	NOT AVAILABLE
KEY A, BLACK, W/ CLIPSLOT, W/O CPA	34985-2393	A-BLK-CLIP	GC	PLR		M	R				5	6	7				10	11	12	13	14	15			SALEABLE		NOT AVAILABLE	NOT AVAILABLE
KEY B, LIGHT GRAY, W/ CLIPSLOT, W/O CPA	34985-2394	B-LG-CLIP	GC	PLR		M	R				5						10	11							SALEABLE		NOT AVAILABLE	NOT AVAILABLE
KEY B, LIGHT GRAY, W/ CLIPSLOT, W/O CPA	34985-2395	B-LG-CLIP	GC	PLR		M	R				5						10	11		13					SALEABLE		NOT AVAILABLE	NOT AVAILABLE
KEY A, BLACK, W/ CLIPSLOT, W/O CPA	34985-2396	A-BLK-CLIP	GC	PLR		M	R													12					SALEABLE		NOT AVAILABLE	NOT AVAILABLE
KEY A, BLACK, W/ CLIPSLOT, W/O CPA	34985-2397	A-BLK-CLIP	GC	PLR		M	R																15		SALEABLE		NOT AVAILABLE	NOT AVAILABLE