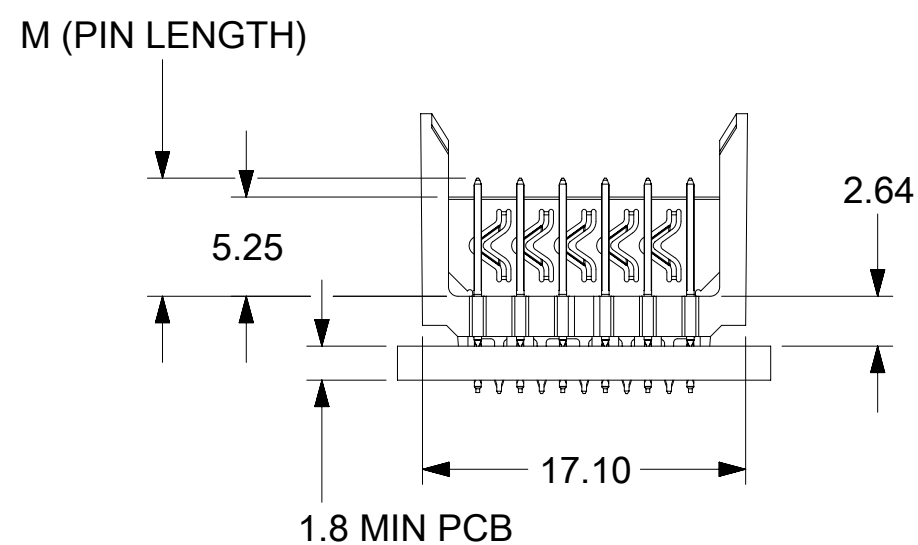
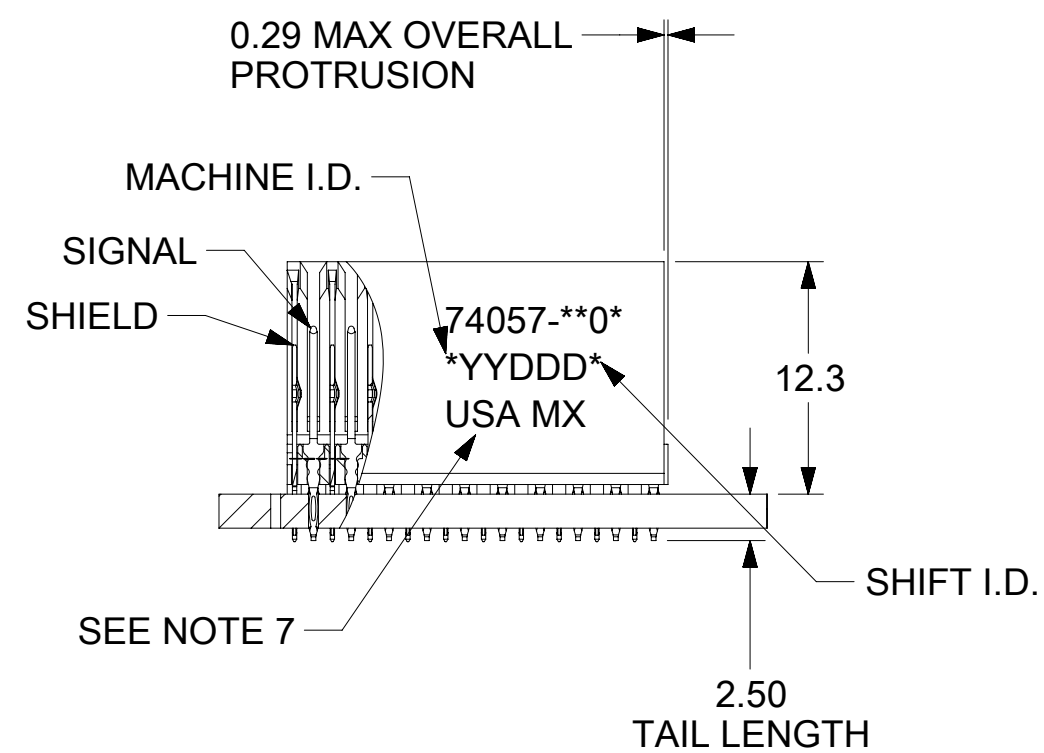
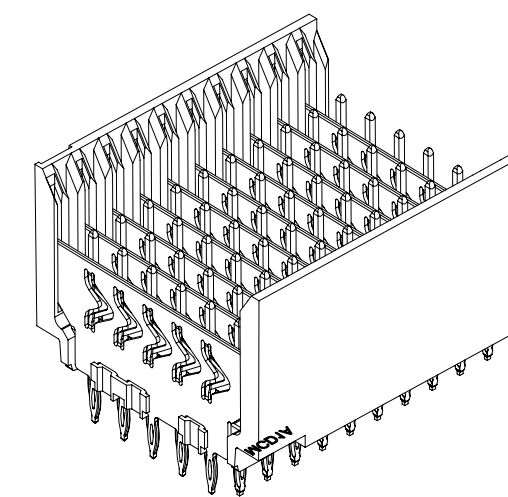


**BLACK PLANE HOLE PATTERN
RECOMMENDED DIMENSIONS**



NOTES:

1. MATERIALS:
HOUSING - LIQUID CRYSTAL POLYMER (LCP),
GLASS-FILLED, UL 94V-0, COLOR: BLACK
SIGNAL PIN & SHIELD - COPPER ALLOY
2. FINISHES:
CONTACT AREA: SELECTIVE GOLD (Au)
PCB TAILS: SELECTIVE MATTE TIN (Sn)
NICKEL (Ni) OVERALL.
3. THIS PART CONFORMS TO MOLEX PRODUCT SPECIFICATION PS-74031-999
4. FOR MIXED CONTACT LENGTHS CONSULT MOLEX FOR AVAILABILITY
5. FOR SPECIFIC MATERIAL NUMBERS & MATING INFORMATION REFER TO SHEET 2
6. PACKAGE PER PK-74057-003
7. EITHER MARK PART WITH PART NUMBER & DATE CODE APPROXIMATELY WHERE SHOWN OR PLACE LABEL ON THE TUBE.
8. MAPS (MOLEX ADVANCED PLATING SYSTEM)

PENDING APPROVAL

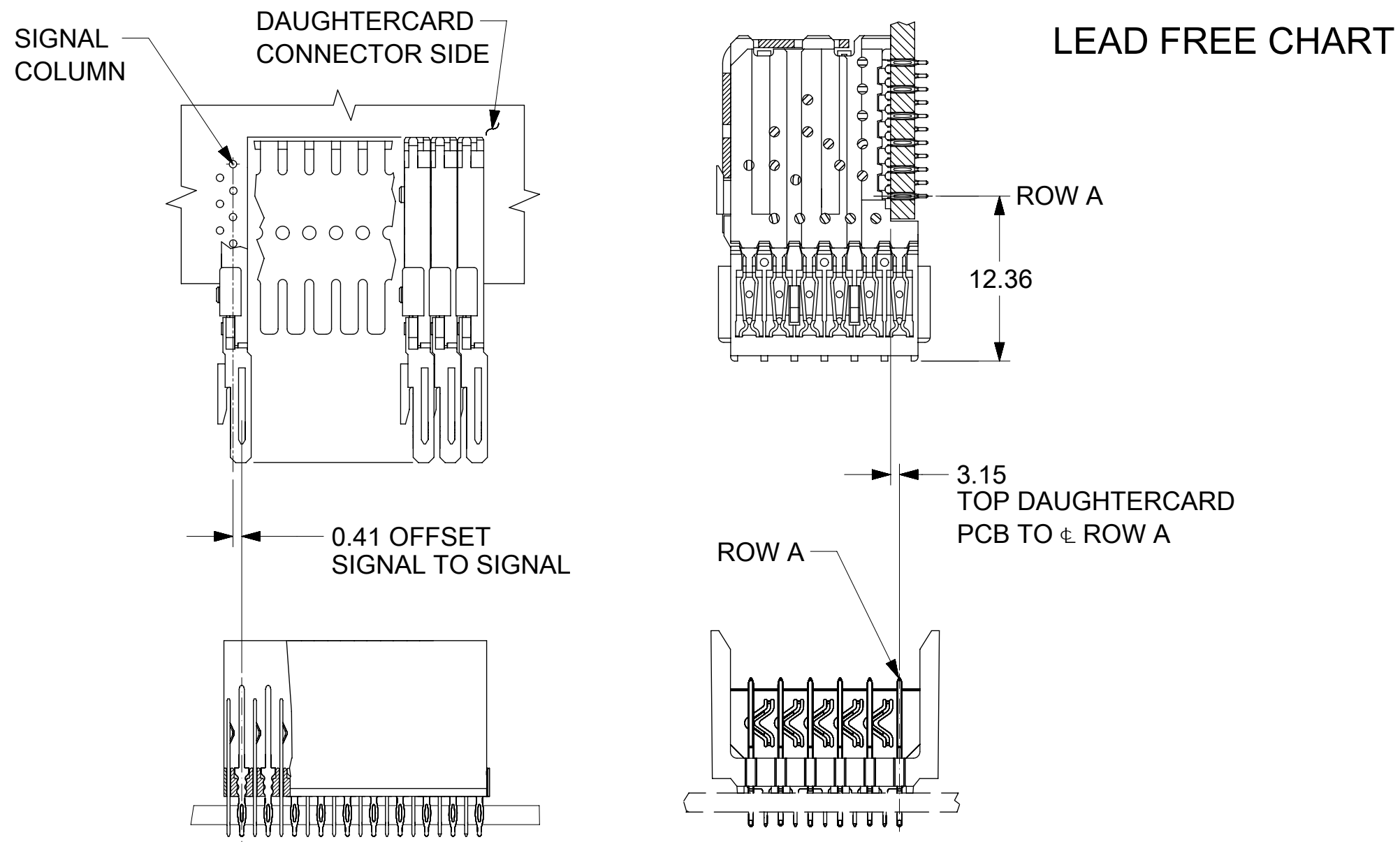
| | | | | | | | | | |
|---|----|---------|---|--|--|--------|--|--------------|--|
| THIS DRAWING CONTAINS INFORMATION THAT IS PROPRIETARY TO MOLEX ELECTRONIC TECHNOLOGIES, LLC AND SHOULD NOT BE USED WITHOUT WRITTEN PERMISSION | | | | | | | | | |
| DIMENSION UNITS | | SCALE | | CURRENT REV DESC: SEE REVISION HISTORY ON SHEET 3 | | | | | |
| mm | | 2.5:1 | | molex VHDM 6 ROW OPEN END BACKPLANE SALES ASSEMBLY PRODUCT CUSTOMER DRAWING DOCUMENT NUMBER: SD-74057-002 DOC TYPE: PSD DOC PART: 001 REVISION: N4 EC NO: 719836 DRWN: KRISHH1 2022/07/14 CHK'D: APPR: INITIAL REVISION: DRWN: MWANG 1998/11/09 APPR: SMILLER 2012/05/23 MATERIAL NUMBER: SEE TABLE CUSTOMER: GENERAL MARKET SHEET NUMBER: 1 OF 3 | | | | | |
| GENERAL TOLERANCES (UNLESS SPECIFIED) | | | | | | | | | |
| | MM | INCH | | | | | | | |
| 4 PLACES | ± | | ± | | | | | | |
| 3 PLACES | ± | | ± | | | | | | |
| 2 PLACES | ± | 0.25 | ± | | | | | | |
| 1 PLACE | ± | 0.38 | ± | | | | | | |
| 0 PLACES | ± | | ± | | | | | | |
| ANGULAR TOL | | ± 0.5 ° | | THIRD ANGLE PROJECTION | | | | | |
| DRAFT WHERE APPLICABLE MUST REMAIN WITHIN DIMENSIONS | | | | DRAWING | | SERIES | | C-SIZE 74057 | |

| | | | |
|-----------------|----|--------------|--|
| DOCUMENT STATUS | RQ | RELEASE DATE | |
|-----------------|----|--------------|--|

| PART NUMBER | COLUMN | NUMBER OF SIGNAL PIN | NUMBER OF SHIELD | A | B | M | GOLD THICKNESS MICROMETER | TIN THICKNESS MICROMETER | | | |
|-------------|--------|----------------------|------------------|-------|-------|-----------|---------------------------|--------------------------|-------|-------|------|
| 74057-6001 | 10 | 60 | 10 | 20.00 | 18.00 | 4.75 | 0.25 MAPS | 0.76-1.52 | | | |
| 74057-9001 | | | | | | | 0.76 | | | | |
| 74057-9006 | | | | | | | 1.27 | | | | |
| 74057-6501 | 15 | 90 | 15 | 30.00 | 28.00 | 0.25 MAPS | | | | | |
| 74057-9501 | | | | | | 0.76 | | | | | |
| 74057-9506 | | | | | | 1.27 | | | | | |
| 74057-7001 | 25 | 150 | 25 | 50.00 | 48.00 | 0.25 MAPS | | | | | |
| 74057-8506 | | | | | | 1.27 | | | | | |
| 74057-6002 | | | | | | 0.25 MAPS | | | | | |
| 74057-9002 | 10 | 60 | 10 | 20.00 | 18.00 | 0.76 | | | | | |
| 74057-9007 | | | | | | 1.27 | | | | | |
| 74057-6502 | | | | | | 0.25 MAPS | | | | | |
| 74057-9502 | 15 | 90 | 15 | 30.00 | 28.00 | 0.76 | | | | | |
| 74057-9507 | | | | | | 1.27 | | | | | |
| 74057-7002 | | | | | | 0.25 MAPS | | | | | |
| 74057-8502 | 25 | 150 | 25 | 50.00 | 48.00 | 0.76 | | | | | |
| 74057-8507 | | | | | | 1.27 | | | | | |
| 74057-6003 | | | | | | 0.25 MAPS | | | | | |
| 74057-9003 | 10 | 60 | 10 | 50.00 | 48.00 | 0.76 | | | | | |
| 74057-9008 | | | | | | 1.27 | | | | | |
| 74057-6503 | | | | | | 0.25 MAPS | | | | | |
| 74057-9503 | 15 | 90 | 15 | 30.00 | 28.00 | 0.76 | | | | | |
| 74057-9508 | | | | | | 1.27 | | | | | |
| 74057-7003 | | | | | | 0.25 MAPS | | | | | |
| 74057-8508 | 25 | 150 | 25 | 50.00 | 48.00 | 1.27 | | | | | |
| 74057-9009 | | | | | | 10 | 60 | 10 | 20.00 | 18.00 | 1.27 |
| 74057-6504 | | | | | | 0.25 MAPS | | | | | |
| 74057-9504 | 15 | 90 | 15 | 30.00 | 28.00 | 0.76 | | | | | |
| 74057-9509 | | | | | | 1.27 | | | | | |
| 74057-8504 | | | | | | 0.76 | | | | | |
| 74057-8509 | 25 | 150 | 25 | 50.00 | 48.00 | 1.27 | | | | | |

| PART NUMBER | COLUMN | NUMBER OF SIGNAL PIN | NUMBER OF SHIELD | A | B | M | GOLD THICKNESS MICROMETER | TIN THICKNESS MICROMETER |
|-------------|--------|----------------------|------------------|-------|-------|------|---------------------------|--------------------------|
| 74057-1006 | 10 | 60 | 10 | 20.00 | 18.00 | 4.75 | 1.27 | 0.76-1.52 |
| 74057-1501 | 15 | 90 | 15 | 30.00 | 28.00 | | 0.76 | |
| 74057-1506 | | | | | | | 1.27 | |
| 74057-2506 | 25 | 150 | 25 | 50.00 | 48.00 | 1.27 | | |
| 74057-1002 | 10 | 60 | 10 | 20.00 | 18.00 | 6.25 | 0.76 | |
| 74057-1502 | 15 | 90 | 15 | 30.00 | 28.00 | | 0.76 | |
| 74057-1507 | | | | | | 1.27 | | |
| 74057-1008 | 10 | 60 | 10 | 20.00 | 18.00 | 4.25 | 1.27 | |
| 74057-1503 | 15 | 90 | 15 | 30.00 | 28.00 | | 0.76 | |
| 74057-1508 | | | | | | | 1.27 | |
| 74057-2508 | 25 | 150 | 25 | 50.00 | 48.00 | 1.27 | | |
| 74057-1004 | 10 | 60 | 10 | 20.00 | 18.00 | 5.15 | 0.76 | |
| 74057-1009 | 15 | 90 | 15 | 30.00 | 28.00 | | 1.27 | |
| 74057-1504 | | | | | | | 0.76 | |
| 74057-1509 | 15 | 90 | 15 | 30.00 | 28.00 | 1.27 | | |

LEAD FREE
(FORMERLY TIN/LEAD) CHART



74057 - * * 0 *

- NUMBER OF COLUMNS/PLATING
- 10 = 10 COLUMN MATTE TIN (FORMERLY TIN/LEAD)
 - 15 = 15 COLUMN MATTE TIN (FORMERLY TIN/LEAD)
 - 25 = 25 COLUMN MATTE TIN (FORMERLY TIN/LEAD)
 - 60 = 10 COLUMN MATTE TIN (MAPS)
 - 65 = 15 COLUMN MATTE TIN (MAPS)
 - 70 = 25 COLUMN MATTE TIN (MAPS)
 - 90 = 10 COLUMN MATTE TIN
 - 95 = 15 COLUMN MATTE TIN
 - 85 = 25 COLUMN MATTE TIN
- PIN HEIGHT
- 1 & 6 = 4.75
 - 2 & 7 = 6.25
 - 3 & 8 = 4.25
 - 4 & 9 = 5.15

PENDING APPROVAL

| | | | | |
|--|---|------------------------|------|---|
| FUNCTIONAL SYMBOLS | THIS DRAWING CONTAINS INFORMATION THAT IS PROPRIETARY TO MOLEX ELECTRONIC TECHNOLOGIES, LLC AND SHOULD NOT BE USED WITHOUT WRITTEN PERMISSION | | | |
| | DIMENSION UNITS | SCALE | | CURRENT REV DESC: SEE REVISION HISTORY ON SHEET 3 |
| $F_A = 0$ | mm | 2.5:1 | | EC NO: 719836 DRWN: KRISHH1 CHK'D: APPR: |
| $F_C = 0$ | GENERAL TOLERANCES (UNLESS SPECIFIED) | | | |
| $F_P = 0$ | | MM | INCH | 2022/07/14 |
| DIVISIONAL SYMBOLS | 4 PLACES | ± | ± | INITIAL REVISION: DRWN: MWANG APPR: SMILLER |
| | 3 PLACES | ± | ± | |
| | 2 PLACES | ± 0.25 | ± | |
| | 1 PLACE | ± 0.38 | ± | |
| | 0 PLACES | ± | ± | 1998/11/09 2012/05/23 |
| | ANGULAR TOL | ± 0.5° | | |
| DRAFT WHERE APPLICABLE MUST REMAIN WITHIN DIMENSIONS | | THIRD ANGLE PROJECTION | | DRAWING SERIES |
| | | C-SIZE | | 74057 |
| DOCUMENT STATUS | RQ | RELEASE DATE | | DOCUMENT NUMBER |
| | | | | SD-74057-002 |
| | | | | DOC TYPE |
| | | | | PSD |
| | | | | DOC PART |
| | | | | 001 |
| | | | | REVISION |
| | | | | N4 |
| | | | | MATERIAL NUMBER |
| | | | | SEE TABLE |
| | | | | CUSTOMER |
| | | | | GENERAL MARKET |
| | | | | SHEET NUMBER |
| | | | | 2 OF 3 |

H
G
F
E
D
C
B
A

| DATE | REV | DESCRIPTION |
|------------|-----|--|
| 2022/06/22 | N3 | DRAWING MIGRATED TO NEW SHEET FORMAT REMOVED OBSOLETE PART NUMBER AS PER PCN#509989 |
| 2022/07/14 | N4 | DRAWING MIGRATION AS MODEL IN THE DRAWING VIEW IS UPDATED |
| | | |
| | | |

PENDING APPROVAL

| | | | | |
|--|---|---|---|---------------------|
| FUNCTIONAL SYMBOLS FA = 0 FC = 0 FP = 0 | THIS DRAWING CONTAINS INFORMATION THAT IS PROPRIETARY TO MOLEX ELECTRONIC TECHNOLOGIES, LLC AND SHOULD NOT BE USED WITHOUT WRITTEN PERMISSION | | CURRENT REV DESC: SEE REVISION HISTORY ON SHEET 3 | |
| | DIMENSION UNITS mm | SCALE 1:1 | molex VHDM 6 ROW OPEN END BACKPLANE SALES ASSEMBLY PRODUCT CUSTOMER DRAWING | |
| GENERAL TOLERANCES (UNLESS SPECIFIED) | | | | |
| DIVISIONAL SYMBOLS | 4 PLACES ± | MM | INCH | EC NO: 719836 |
| | 3 PLACES ± | | | DRWN: KRISHH1 |
| | 2 PLACES ± | 0.25 | | CHK'D: |
| | 1 PLACE ± | 0.38 | | APPR: |
| | 0 PLACES ± | | | INITIAL REVISION: |
| ANGULAR TOL ± | 0.5 ° | DRWN: DRAWN BY 0099/99/99 APPR: APPR BY 0099/99/99 | | |
| DRAFT WHERE APPLICABLE MUST REMAIN WITHIN DIMENSIONS | THIRD ANGLE PROJECTION | DRAWING | SERIES | DOCUMENT NUMBER |
| | | C-SIZE | 74057 | SD-74057-002 |
| | | | | DOC TYPE |
| | | | | PSD |
| | | | | DOC PART |
| | | | | 001 |
| | | | | REVISION |
| | | | | N4 |
| | | | | MATERIAL NUMBER |
| | | | | SEE TABLE |
| | | | | CUSTOMER |
| | | | | GENERAL MARKET |
| | | | | SHEET NUMBER |
| | | | | 3 OF 3 |

| DOCUMENT STATUS | RQ | RELEASE DATE |
|-----------------|----|--------------|
| 12 | 11 | 10 |